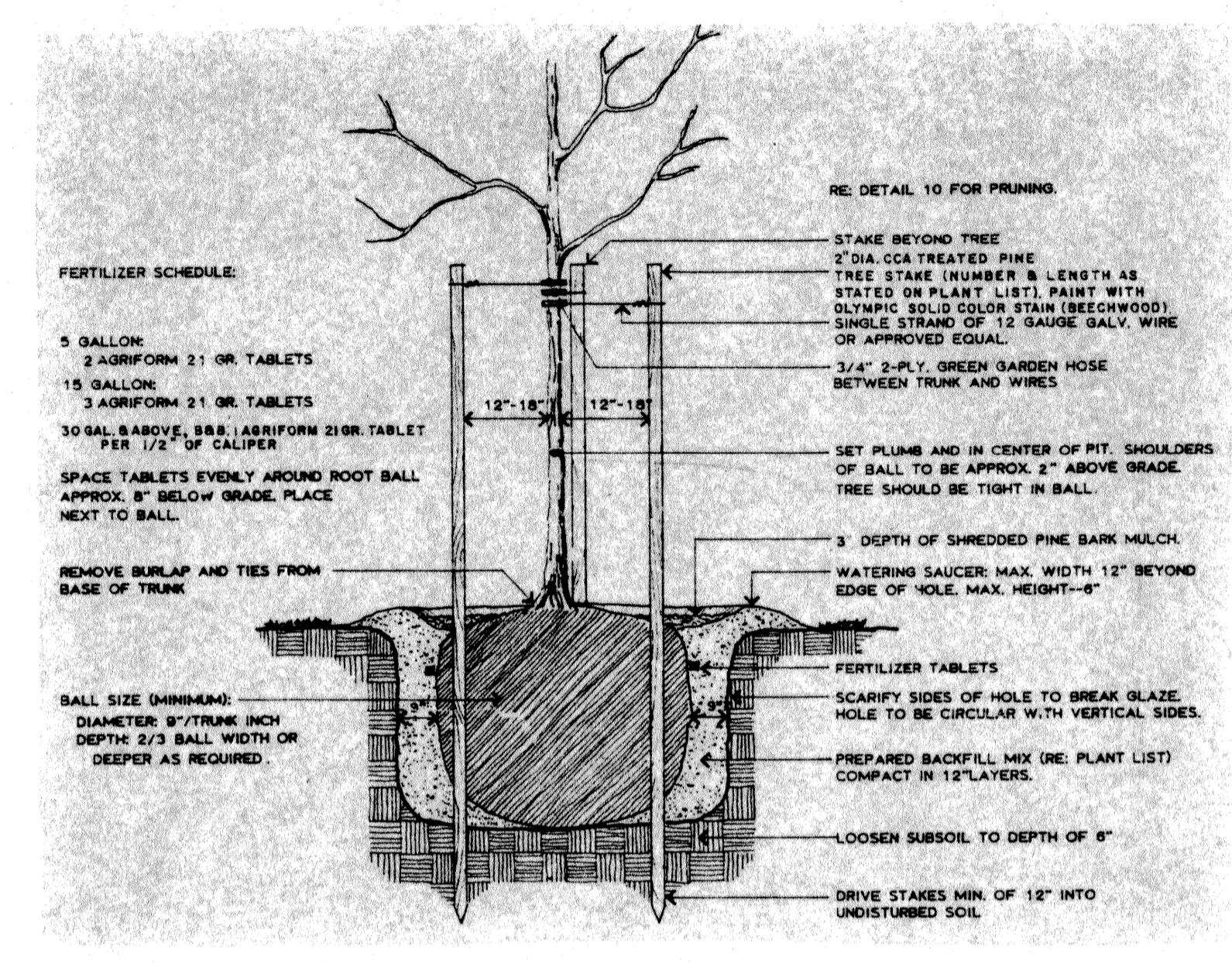
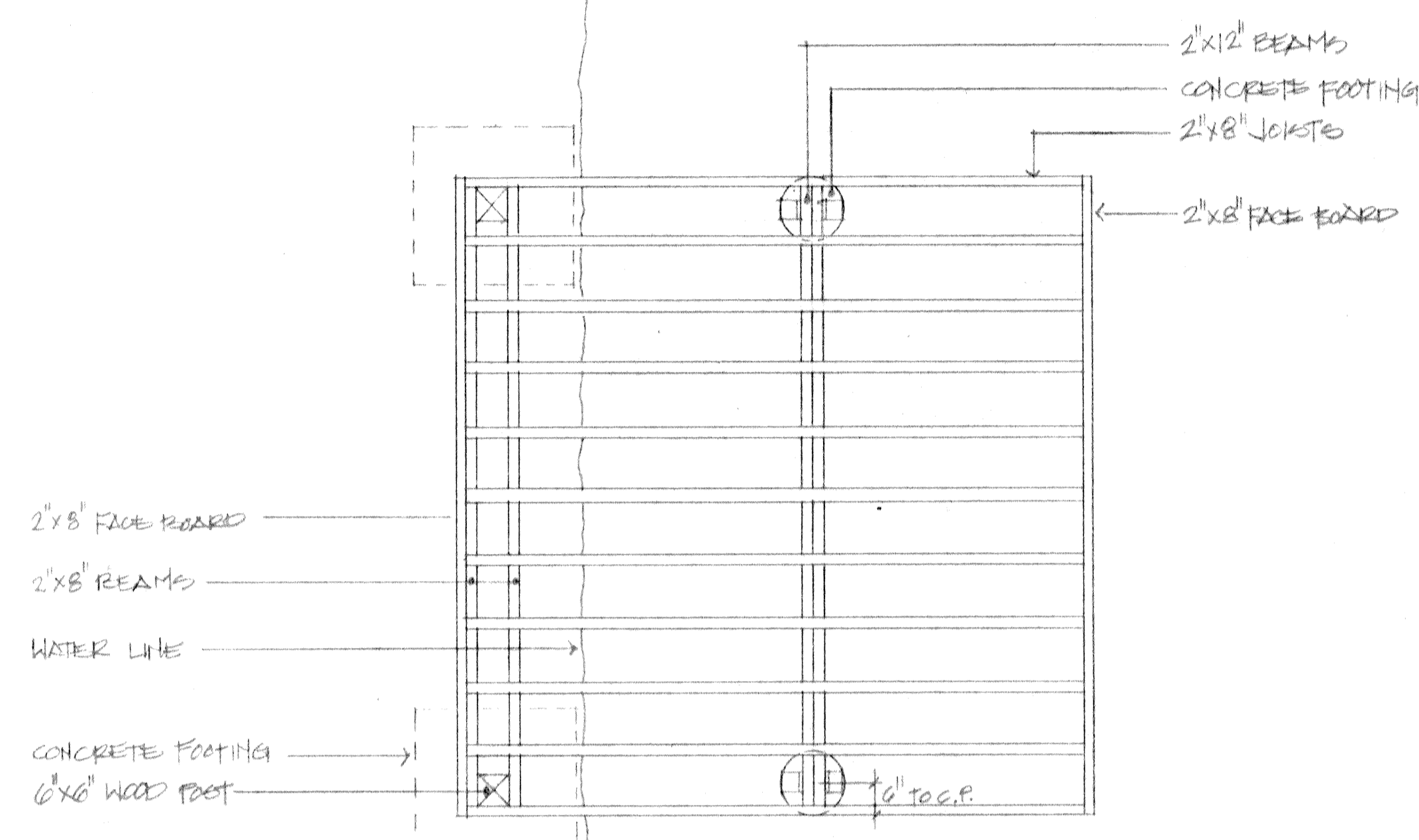


Site Development for
Champions Centre Estates
 Recreation Center

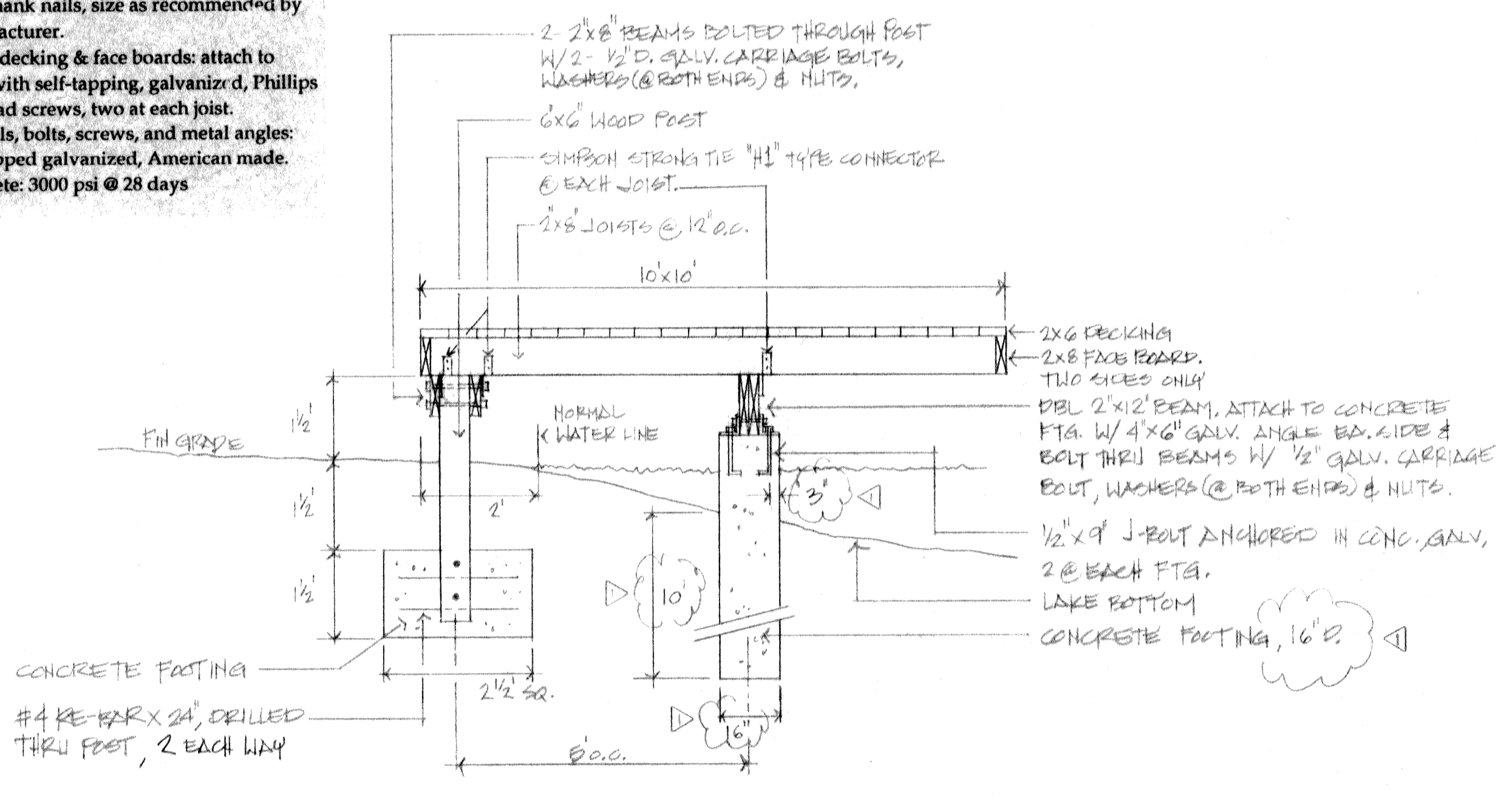


5 TREE PLANTING
 N.T.S.



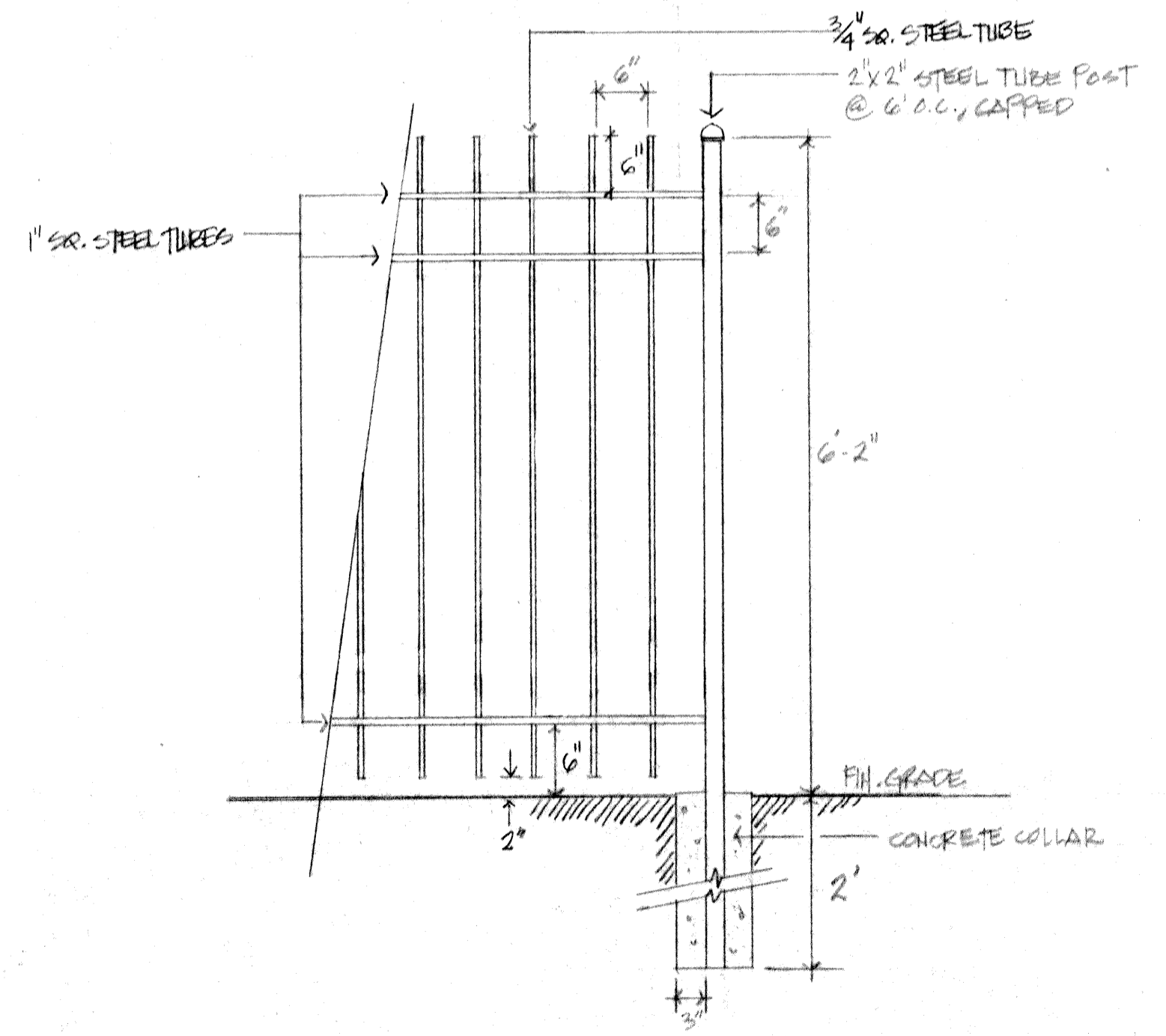
4 FISHING PLATFORM - PLAN
 1/2" = 1'

- FISHING PLATFORM NOTES:**
1. Wood: S4S Southern Yellow Pine, kiln dried; all wood #2 grade except decking which shall be #1 grade; pressure treat all wood with CCA to .60#/cf.
 2. Simpson Strong Tie connectors: attach with ring-shank nails, size as recommended by manufacturer.
 3. Wood decking & face boards: attach to joists with self-tapping, galvanized, Phillips flat head screws, two at each joist.
 4. All nails, bolts, screws, and metal angles: hot dipped galvanized, American made.
 5. Concrete: 3000 psi @ 28 days



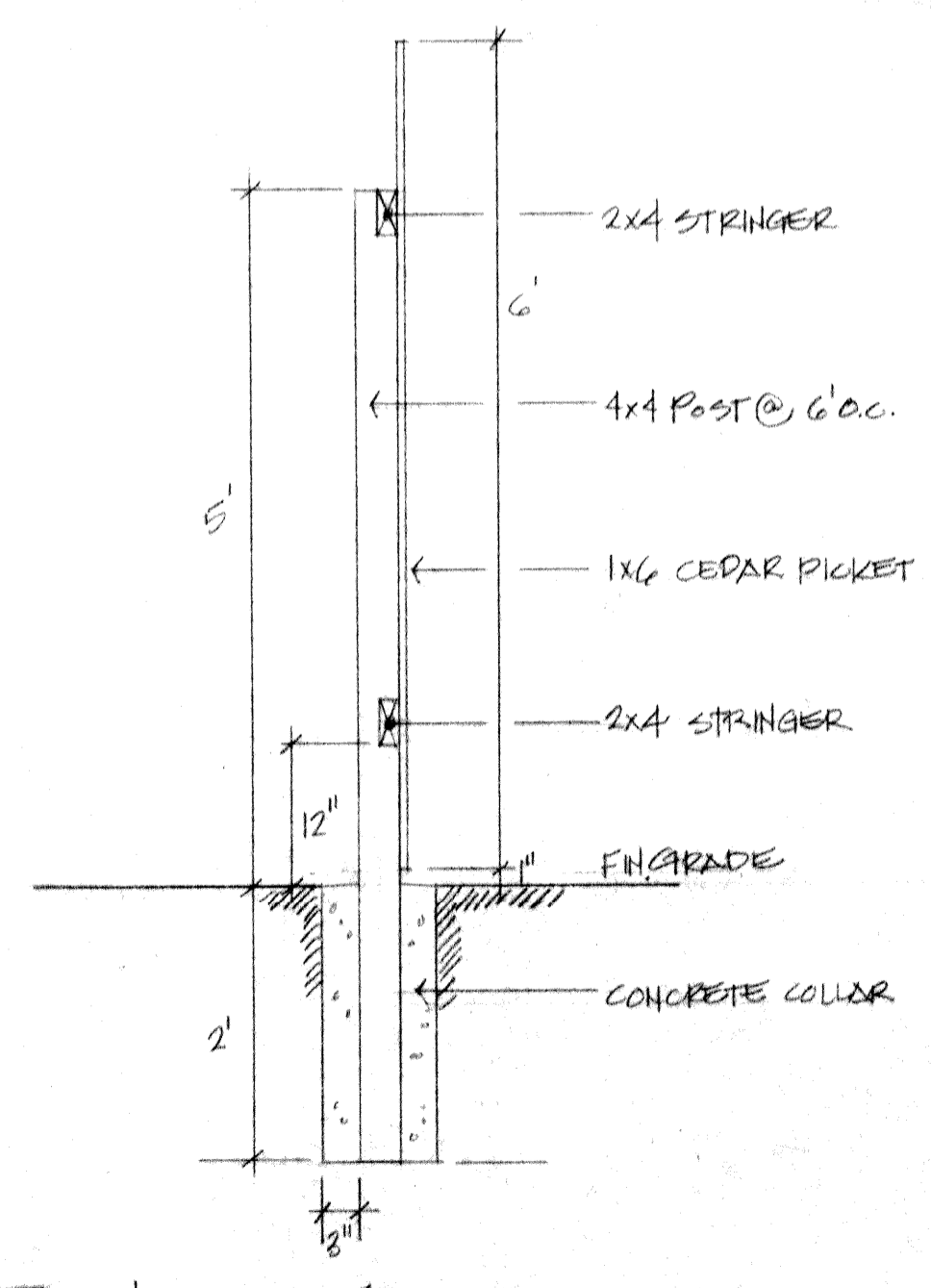
3 FISHING PLATFORM - ELEVATION
 1/2" = 1'

- IRON FENCE NOTES:**
1. Design and dimensions shown are approximate. Match design of existing iron fence at swimming pool.
 2. Gates: Provide two 4' wide x 6'-2" tall gates using same design as fence at locations as shown on plan. Gates to be self-closing and latching and lockable.
 3. Weld all joints.
 4. Before painting, clean all surfaces of rust and other foreign matter. Apply one primer coat and two finish coats of Rustoleum or equal, color to match existing fence.
 5. Concrete collars to be 3000 psi @ 28 days.

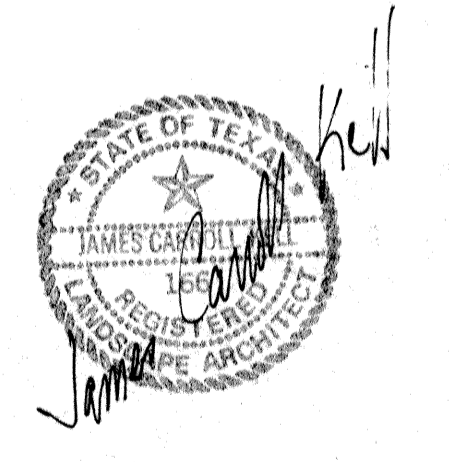


2 IRON FENCE
 3/4" = 1'

- WOOD FENCE NOTES:**
1. Wood posts and stringers to be #2 or better surfaced Southern Yellow Pine, pressure treated with Chromated Copper Arsenate (CCA). Posts to be treated for ground contact (4lbs/cf) and stringers to .25 lbs/cf. All knots to be tight with no edge knots.
 2. Wood pickets to be #1 Cedar.
 3. Toe-nail stringers to posts.
 4. Nails to be hot-dipped galvanized, American made.
 5. Concrete for collars to be 3000 psi @ 28 days.



1 WOOD FENCE
 3/4" = 1'



DETAILS - 1

L2 of 4

JOB CODE: CHAMPIONS L
 DRAWN BY: JCK
 DATE: 8-7-97
 REVISIONS: 9-22-97