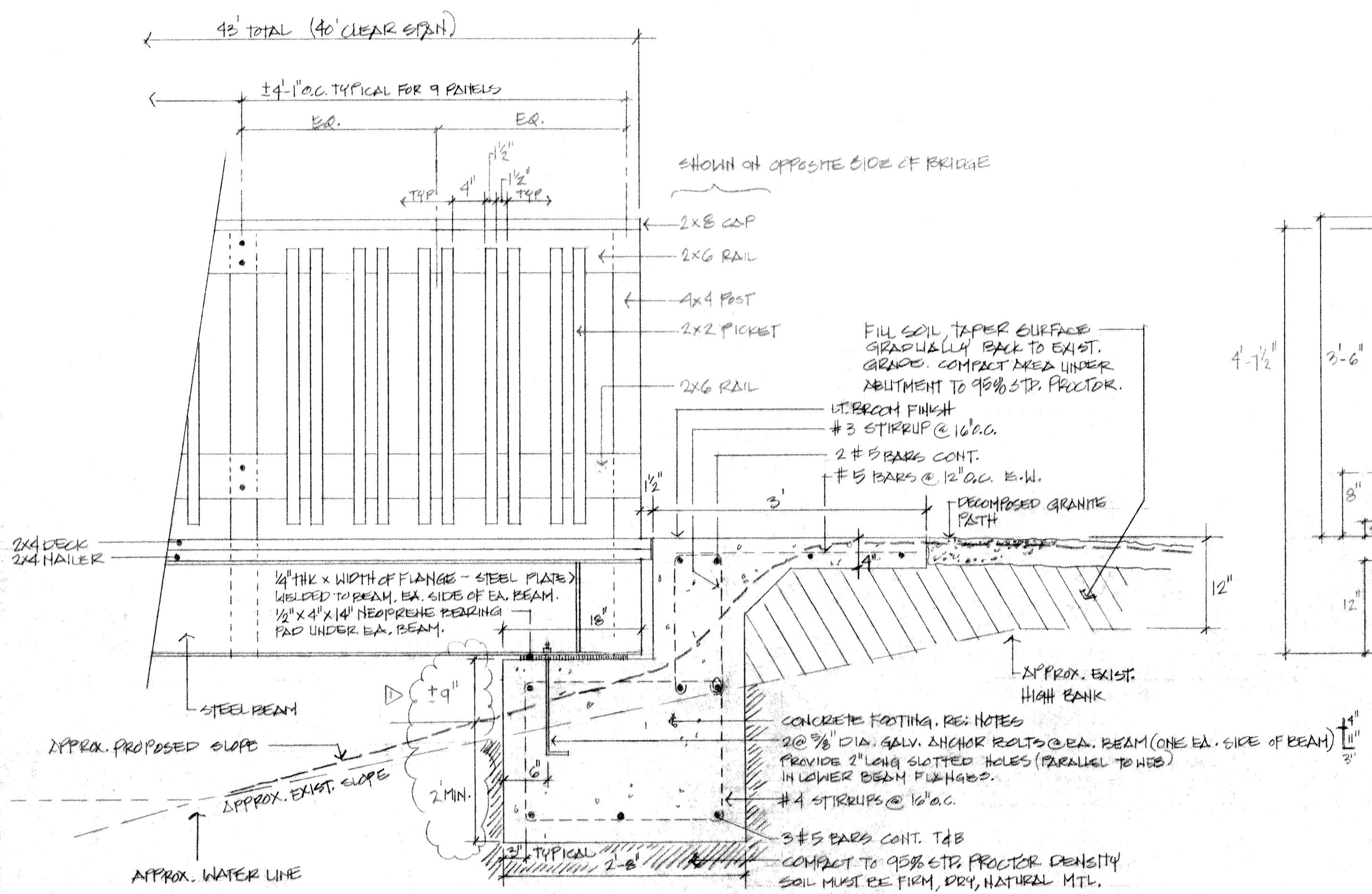


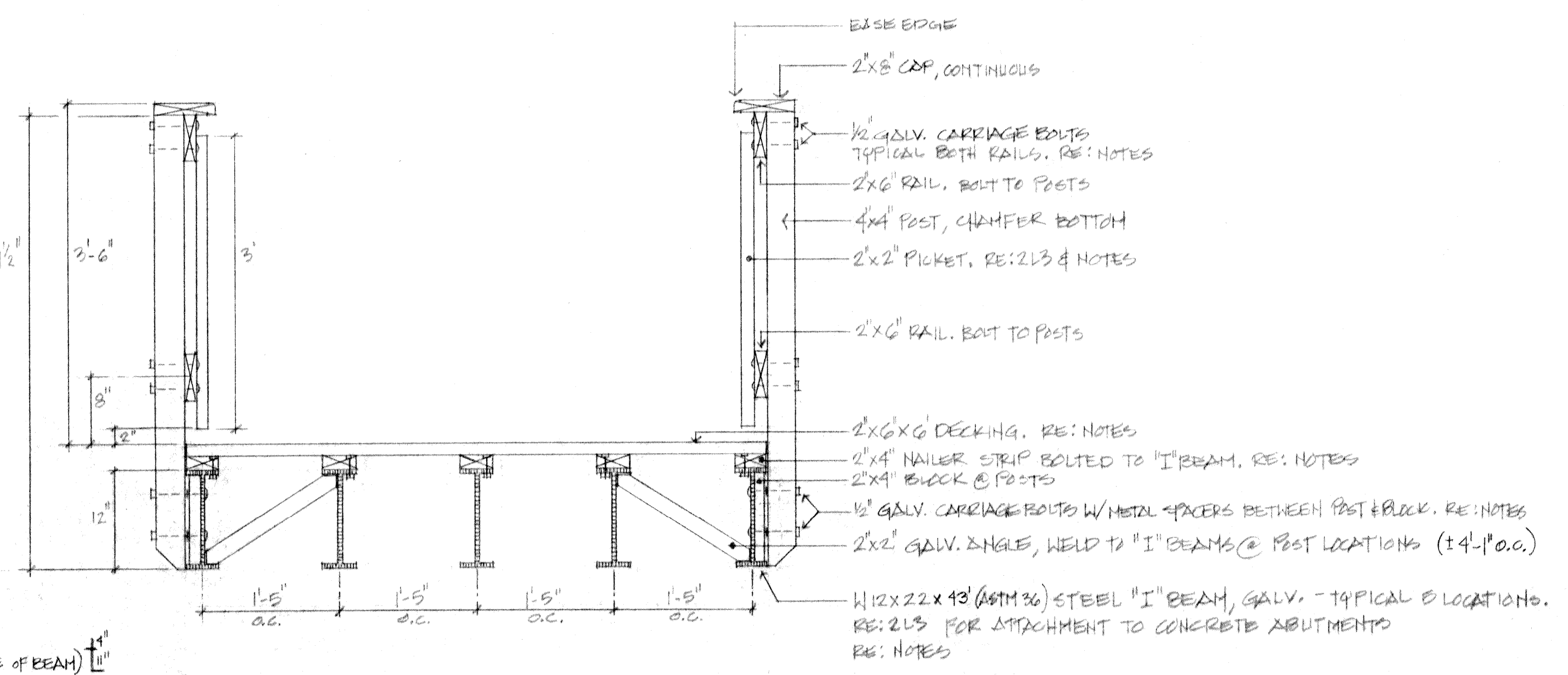
Site Development for  
**Champions Centre Estates  
 Recreation Center**

**BRIDGE NOTES**

1. **Location:** Exact location to be determined on site by Landscape Architect.
2. **Wood:** S4S Southern Yellow Pine, kiln dried; all wood #2 grade except decking which shall be #1 grade; pressure treat all wood with CCA to .60#/cf. Sand exposed edges as necessary to remove splinters left by cutting.
3. **2x8 Cap:** attach to tops of posts and to top rail with self-tapping, galvanized, Phillips flat head screws at approximately 18" o.c., two at each post.
4. **Wood decking:** attach to nailer strips with self-tapping, galvanized, Phillips flat head screws, two at each end and one at interior strips. Set bark side up.
5. **All nails, carriage bolts, anchor bolts, nuts, washers, screws, and metal angles:** hot dipped galvanized, American made.
6. **Carriage bolts:** In all locations, mount with washers at both ends. Ensure that bolt ends do not extend beyond nuts more than 1/2".
7. **Vertical Pickets:** Nail to rails with flat head galvanized ring shank nails, two at bottom rail and one at top.
8. **2x4 Deck Nailer strips:** Bolt to steel beams with galvanized flat head bolt, countersink head, one bolt at each location but on alternating sides of steel beam flange at 30" o.c.
9. **Steel Beams:** To be hot dip galvanized. Paint outside (visible) portion of outside beams with long-lasting paint specifically formulated for galvanized metal, two coats, color to be selected. Clean and prime metal before applying finish coats.
10. **Concrete for abutments to be 3000 psi @ 28 days.**



**2 BRIDGE ABUTMENT & GUARDRAIL**  
 1"=1'



**1 BRIDGE - SECTION**  
 1"=1'



DETAILS-2

L3 of 4

JOB CODE: CHAMPIONS-L  
 DRAWN BY: JCK  
 DATE: 8-7-97  
 REVISIONS: D9-22-97