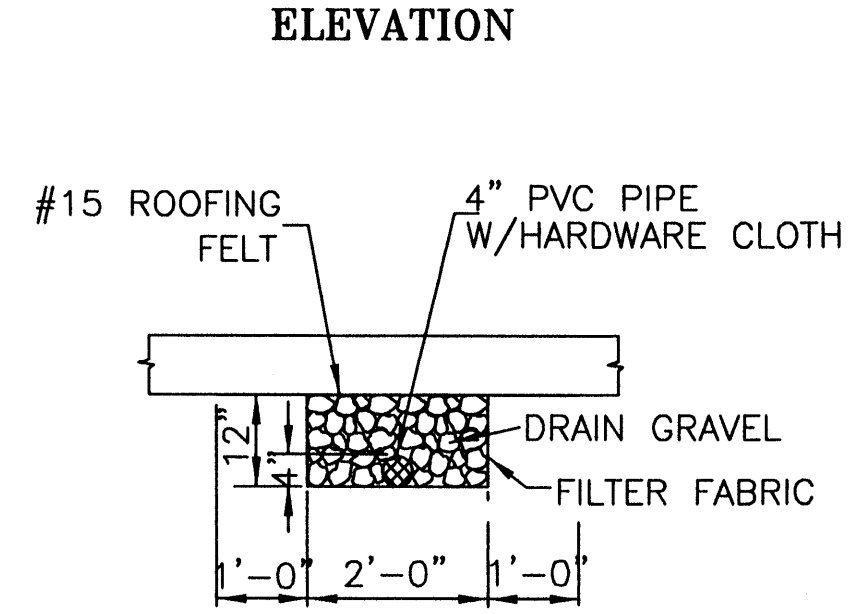
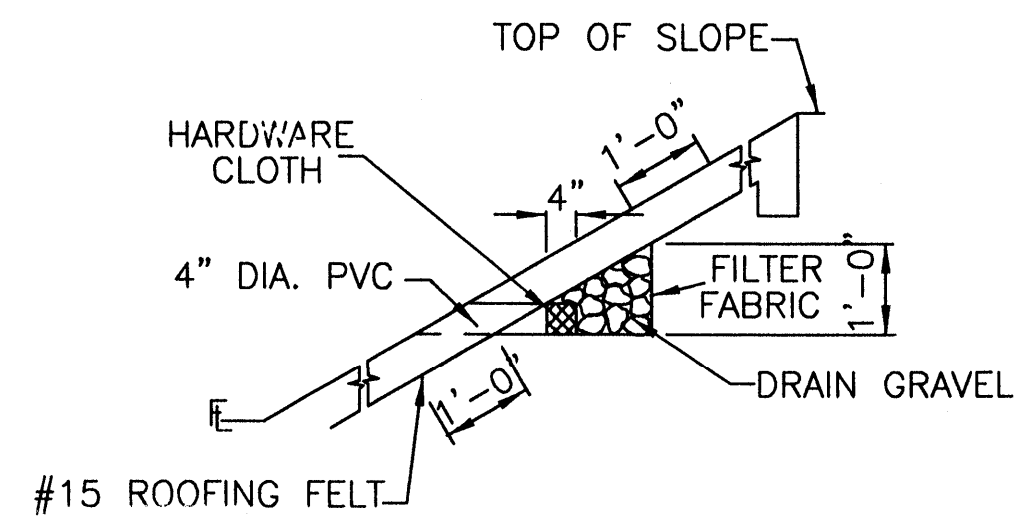


SECTION
TYPE "A" WEEP HOLE



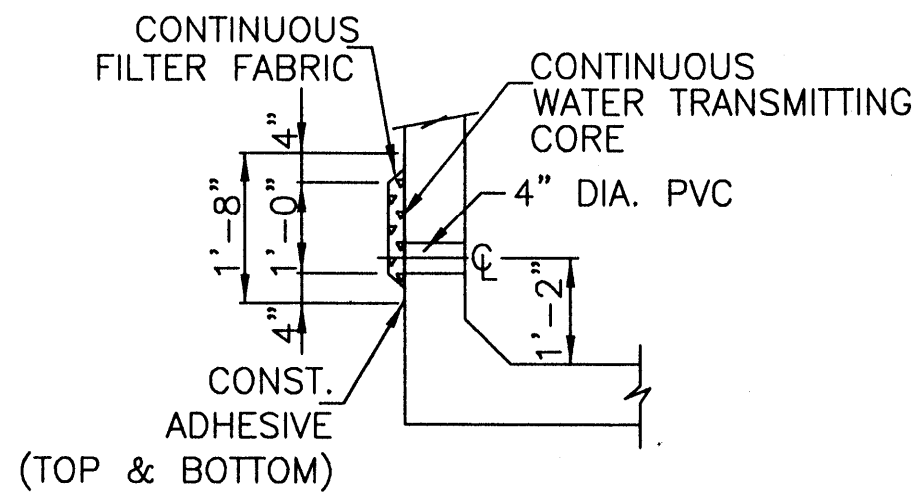
SECTION
TYPE "B" WEEP HOLE

WEEP HOLE NOTES

- MATERIALS:
 - PIPE: 4" DIA. SCH.40 P.V.C.
 - DRAIN GRAVEL:

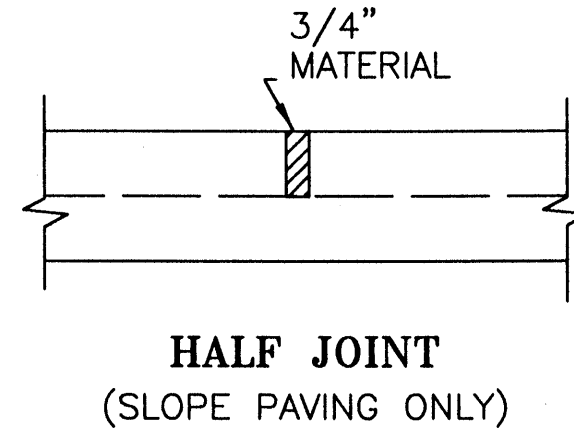
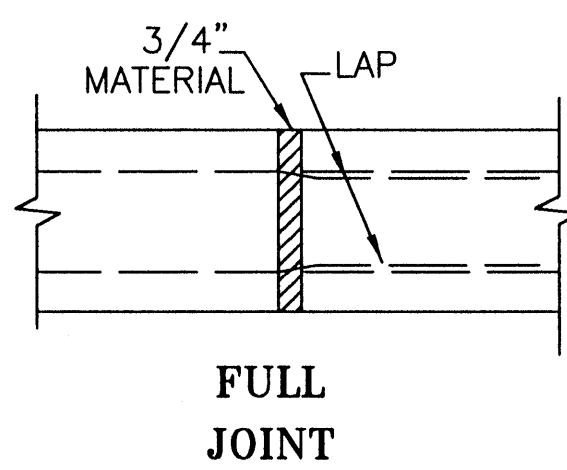
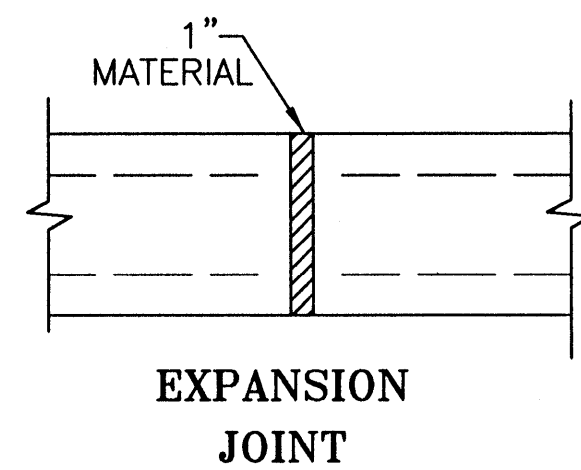
SIEVE SIZE	% FINER
1"	100
3/4"	70 - 100
3/8"	20 - 90
NO. 4	0 - 60
NO. 8	0
 - HARDWARE CLOTH : MIN. OPEN 1/8" MAX. OPEN 1/4"
 - FILTER FABRIC :

MIN. EOS:	SIEVE NO. 120
MAX. EOS:	SIEVE NO. 50
WT. (MIN.):	4 OZ
- WEEPHOLES SHALL BE SPACED ON 15 FOOT INTERVALS.

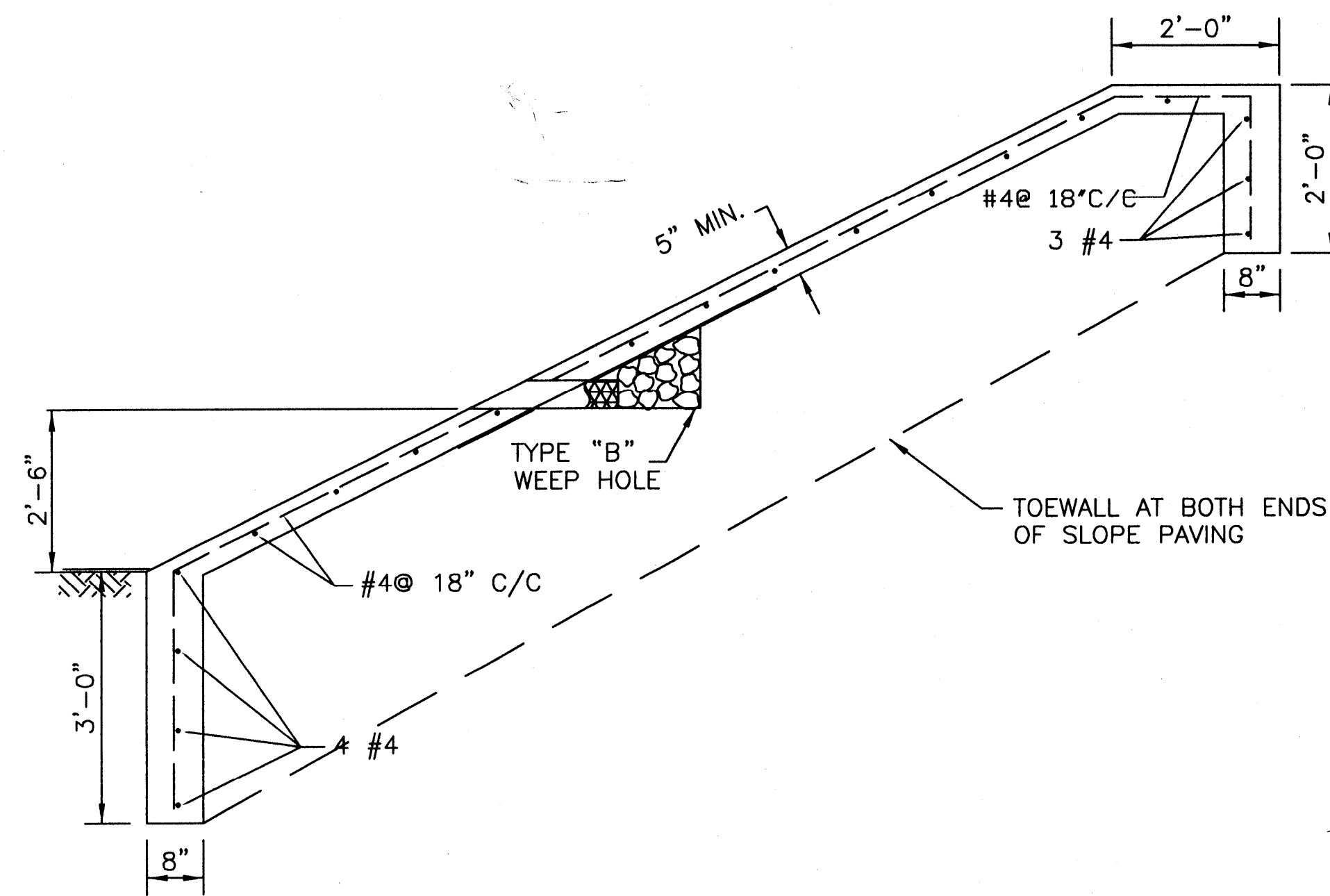


SECTION
TYPE "C" WEEP HOLE

J WEEPHOLE DETAILS



F CONSTRUCTION JOINTS



D TYPICAL SLOPE PAVING SECTION

I CONSTRUCTION NOTES

GENERAL NOTES

- CLASS "A" CONCRETE FOR CONC. CHANNEL SECTIONS AND SLOPE PAVING AND CLASS "B" CONCRETE FOR SEAL SLAB SHALL BE IN ACCORDANCE WITH HCFCD SPECIFICATION 03310-CONCRETE.
- REINFORCING STEEL SHALL BE GRADE 40 AND IN ACCORDANCE WITH HCFCD SPECIFICATION 03310-CONCRETE.
- STRUCTURAL EXCAVATION AND BACKFILL SHALL BE IN ACCORDANCE WITH HCFCD SPECIFICATION 02316-STRUCTURAL EXCAVATION AND BACKFILLING.
- RIPRAP SHALL BE IN ACCORDANCE WITH HCFCD SPECIFICATION 02378-RIPRAP.
- A NON-REINFORCED 4" CLASS "B" CONCRETE SEAL SLAB WILL BE REQUIRED BENEATH THE BOTTOM OF ALL CONCRETE CHANNELS FOR UNIFORM LOAD DISTRIBUTION AND TO MINIMIZE POTENTIAL FOR VOIDS AND WEAK SPOTS IN SOIL.
- CLASS A CONC. GRADE BEAMS SHALL BE INSTALLED TRANSVERSLY AT MIN. 20' CENTERS ON CONCRETE LINED CHANNELS WITH BOTTOM WIDTHS \geq 20'
- CONSTRUCTION JOINTS:
 - CONSTRUCTION JOINTS SHALL BE PLACED:
 - IN CONCRETE LOW-FLOW AND TRAPEZOIDAL BOTTOM SECTIONS AT 20' MIN. 60' MAX. SPACING AND BE CONTINUOUS THROUGH SLOPE PAVING.
 - AT THE END OF EACH DAY'S POUR.
 - HALF CONSTRUCTION JOINTS SHALL BE PLACED IN SLOPE PAVING ONLY AT 20' MAX. SPACING.
- CEMENT STABILIZED SAND SHALL BE PROVIDED AND PLACED IN ACCORDANCE WITH HCFCD SPECIFICATION NO. 02321-CEMENT STABILIZED SAND.
- TOEWALL SHALL CONTINUE ALONG SLOPE AT UPSTREAM END AND DOWNSTREAM END OF SLOPE PAVING.

Bobby K. Wilson
12-27-99

REV	DESCRIPTION	DATE	APPR
HARRIS COUNTY FLOOD CONTROL DISTRICT 9800 NORTHWEST FREEWAY HOUSTON, TEXAS 77092			
HARRIS COUNTY MUD 191 DETENTION POND to serve CHAMPIONS ARBOR HCFCD UNIT P150-00-00 CONCRETE CHANNEL PAVING DETAILS			
DATE: NOVEMBER 1999			
DRAWING NUMBER			
1 OF 1			
SHEET NUMBER			
11 OF 11			