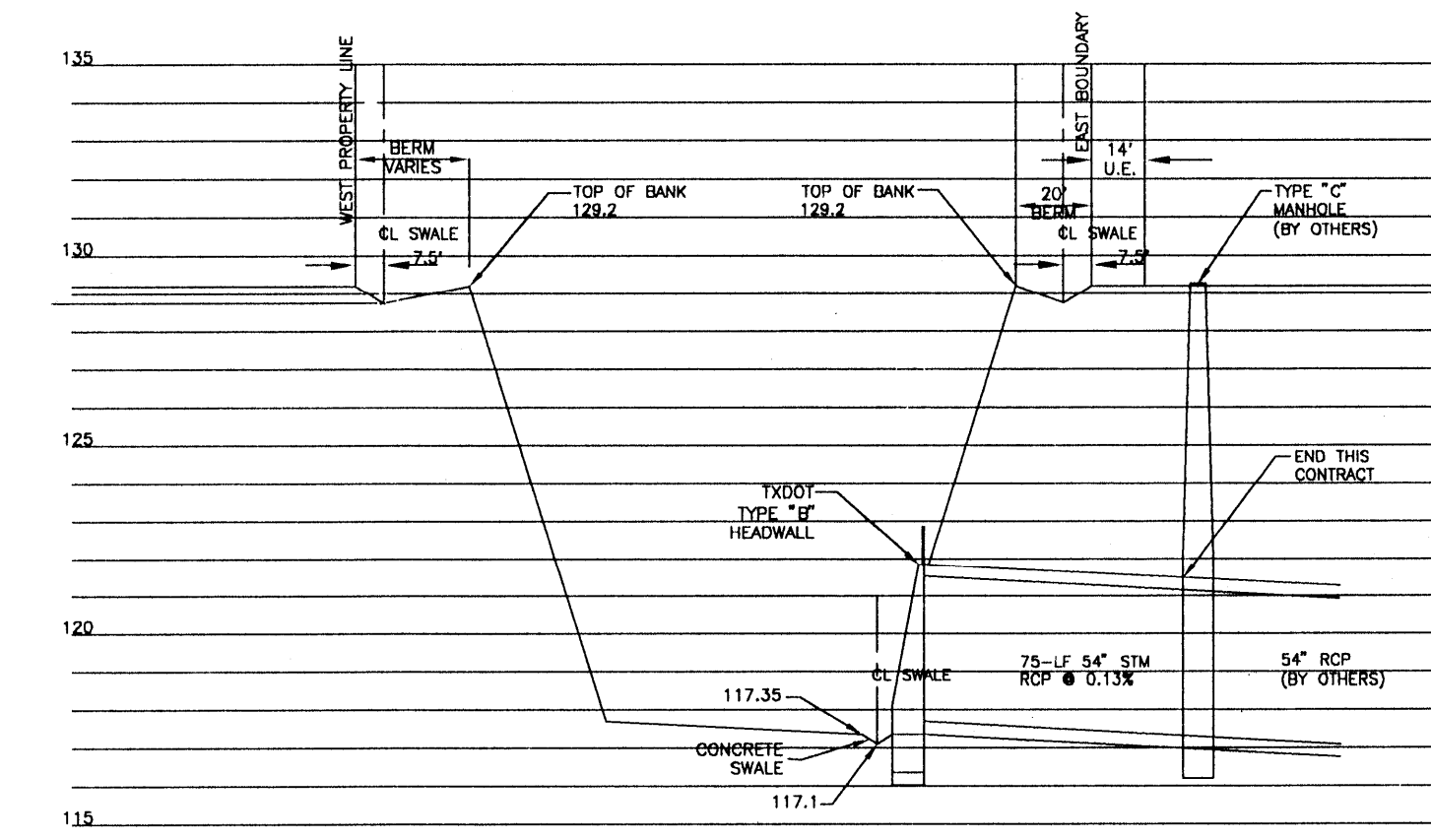


CROSS SECTION
ALONG SWALE FLOW LINE
SCALE: H=1"=50'
V=1"=5'

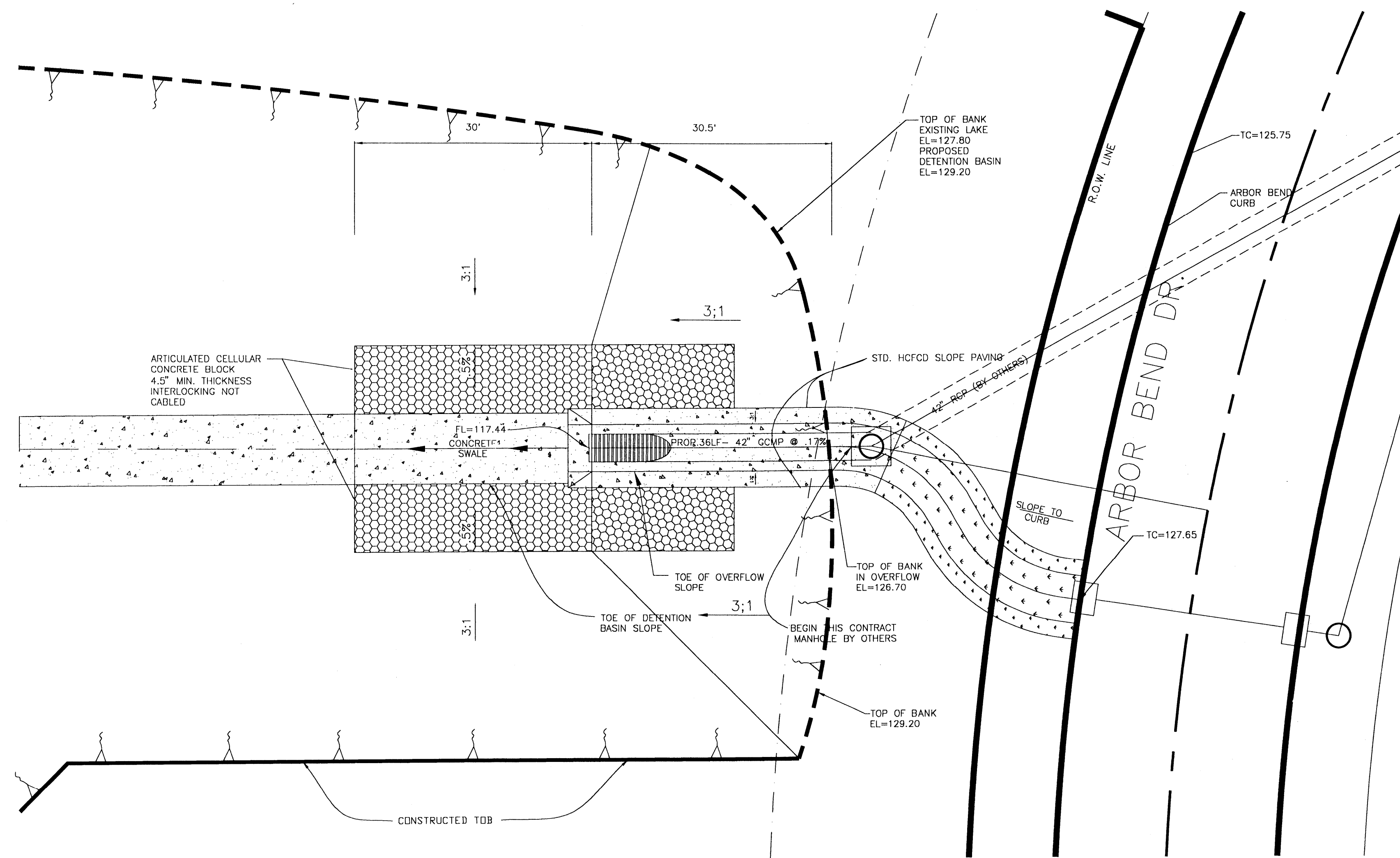
SECTION 1/6



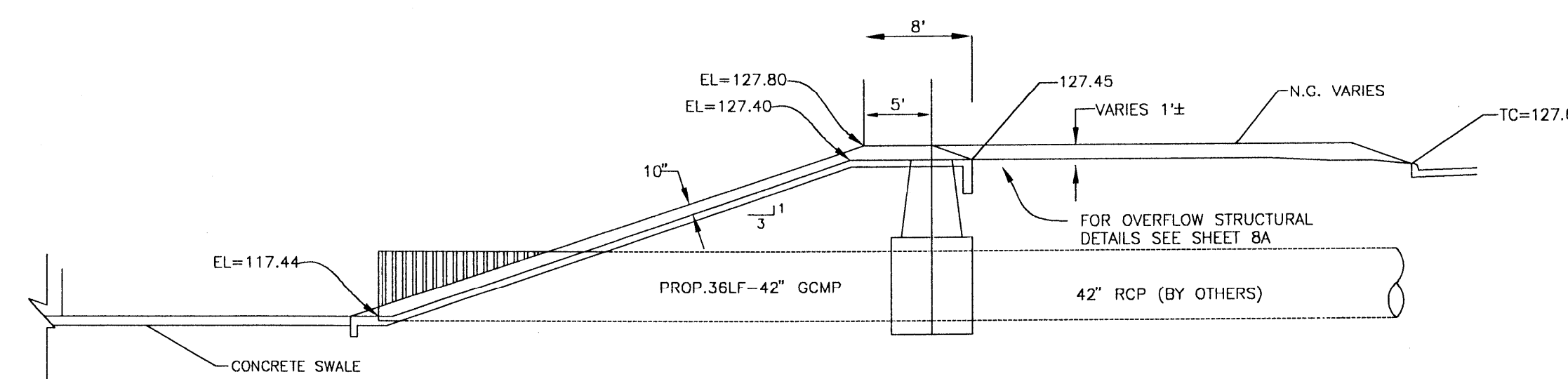
CROSS SECTION

SCALE: H=1"=50'
V=1"=5'

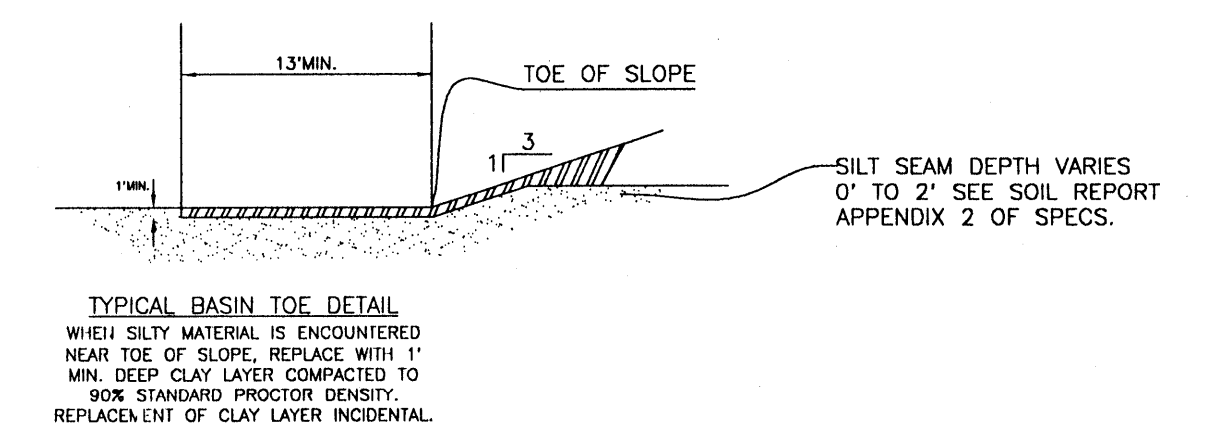
SECTION 2/6



PLAN
INFLOW STRUCTURE
SCALE: 1" = 10'



PROFILE
INFLOW STRUCTURE
SCALE: 1" = 10'



CITY OF HOUSTON
DEPARTMENT OF PUBLIC WORKS AND ENGINEERING

REVIEWED BY	
PRIVATELY FUNDED PUBLIC WORKS	CITY FUNDED PUBLIC WORKS
<i>Victor Saldivar</i> WATER	
<i>Walters</i> WASTEWATER	PROJECT MANAGER
<i>OP/Map 1-6-2K</i> STORM WATER	CONSTRUCTION
	CHIEF ENGINEER

OTHER APPROVAL	
TRAFFIC AND TRANSPORTATION	SPONSOR DEPARTMENT

CITY ENGINEER	DATE
<i>Mark</i>	1-11-2000
DIRECTOR OF PUBLIC WORKS AND ENGINEERING	DATE

SUBMITTED:	DESIGNED BY: BOBBY WILSON
SCALE: N/A	DRAWN BY: BILL DORRIS
DATE: NOVEMBER 1999	SHEET NO. 6 OF 11 SHEETS
SURVEY BY:	CITY DWG. NO. DETAILS.DWG
F B NO: 481	

Bobby K. Wilson
12-27-99

HARRIS COUNTY MUNICIPAL
UTILITY DISTRICT NO. 191
CHAMPIONS ARBOR
DETENTION POND
CROSS SECTIONS
& DETAILS