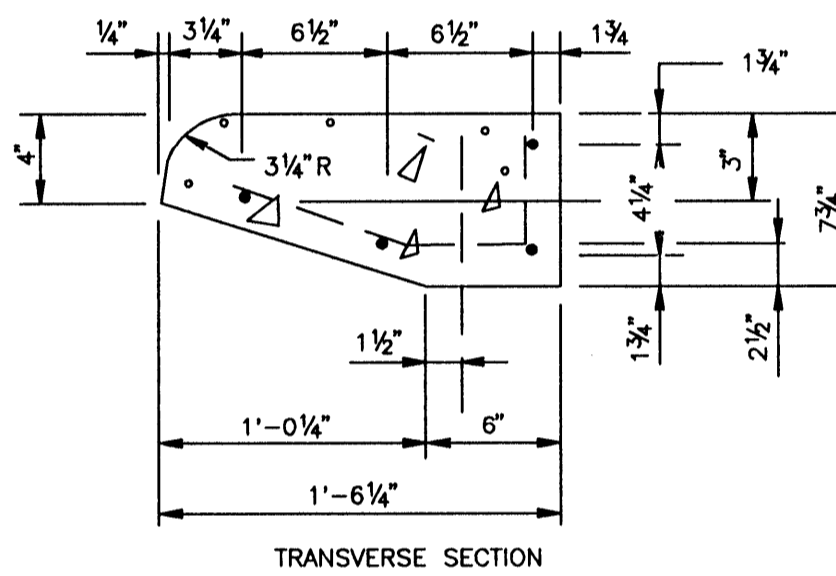
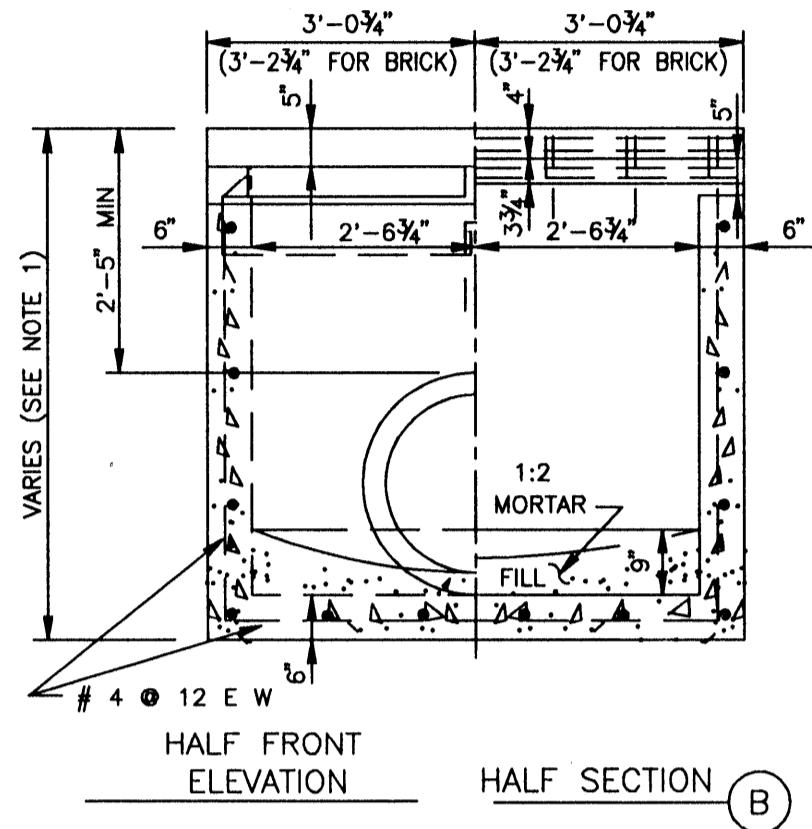
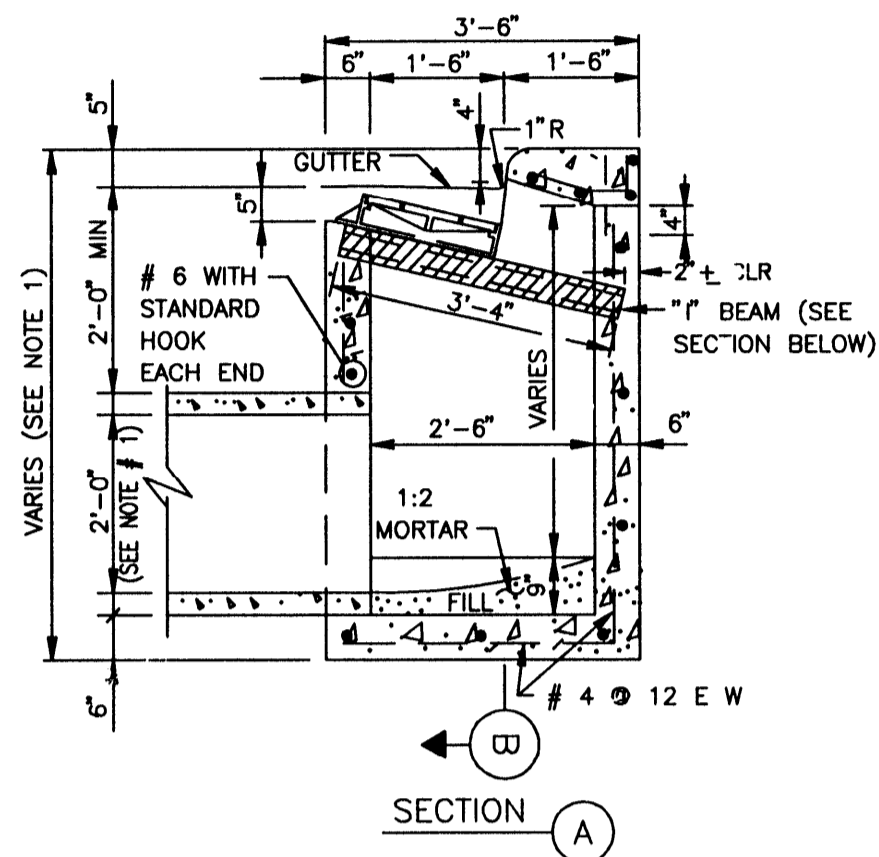
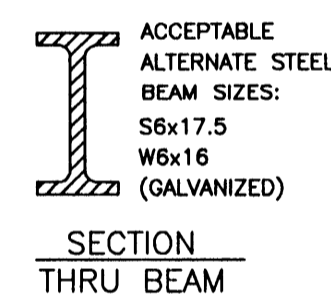


**GENERAL NOTES:**  
 USE STD CAST IRON FRAME & PLATES. LEAD SHALL LEAVE INLET AT LOCATION AND GRADE REQUIRED.  
 WHEN BRICK INLETS ARE BUILT EXTEND DOWELS 4 INCHES FROM CURB BEAM INTO BRICKWORK.  
 WHEN BRICK INLETS ARE BUILT, WALLS SHALL BE INCREASED TO 8 INCHES, AND INLET BEAMS TO BE 4 INCHES LONGER.

**NOTES:**  
 1. DIMENSION VARIES BASED ON PIPE DIAMETER AND WALL THICKNESS.  
 2. CENTER REINFORCING IN SLAB AND WALLS.  
 3. CENTER STEEL BEAM ON INLET AND CAST INTO WALLS AS SHOWN.



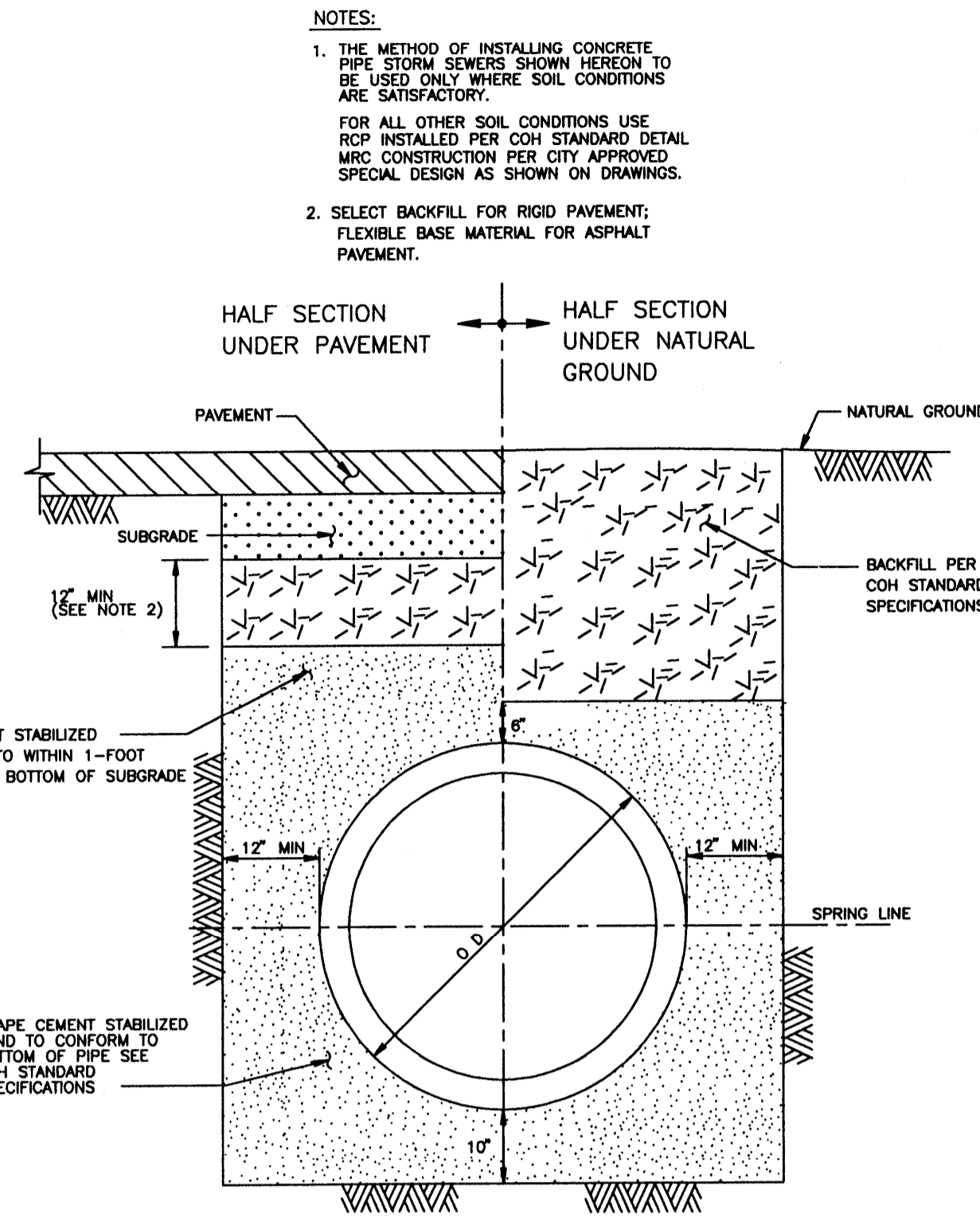
PRECAST CURB BEAM



CURB BEAM BAR LIST					
NO	SIZE	LENGTH	SHAPE	LOC	
4	# 4	5'-10"	ST	HOR	
7	# 4	0'-10"	ST	VERT	
7	# 3	1'-6"	BT		

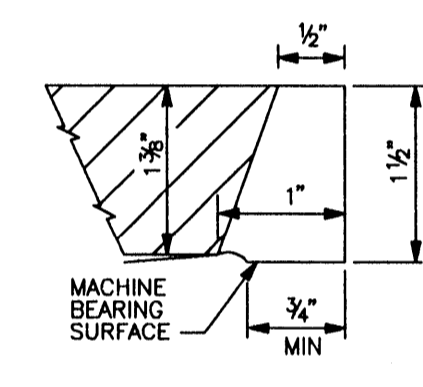
STORM SEWER TYPE "BB" INLET (NOT TO SCALE)

EFF DATE: JUL-01-97 DWG NO: 02632-04

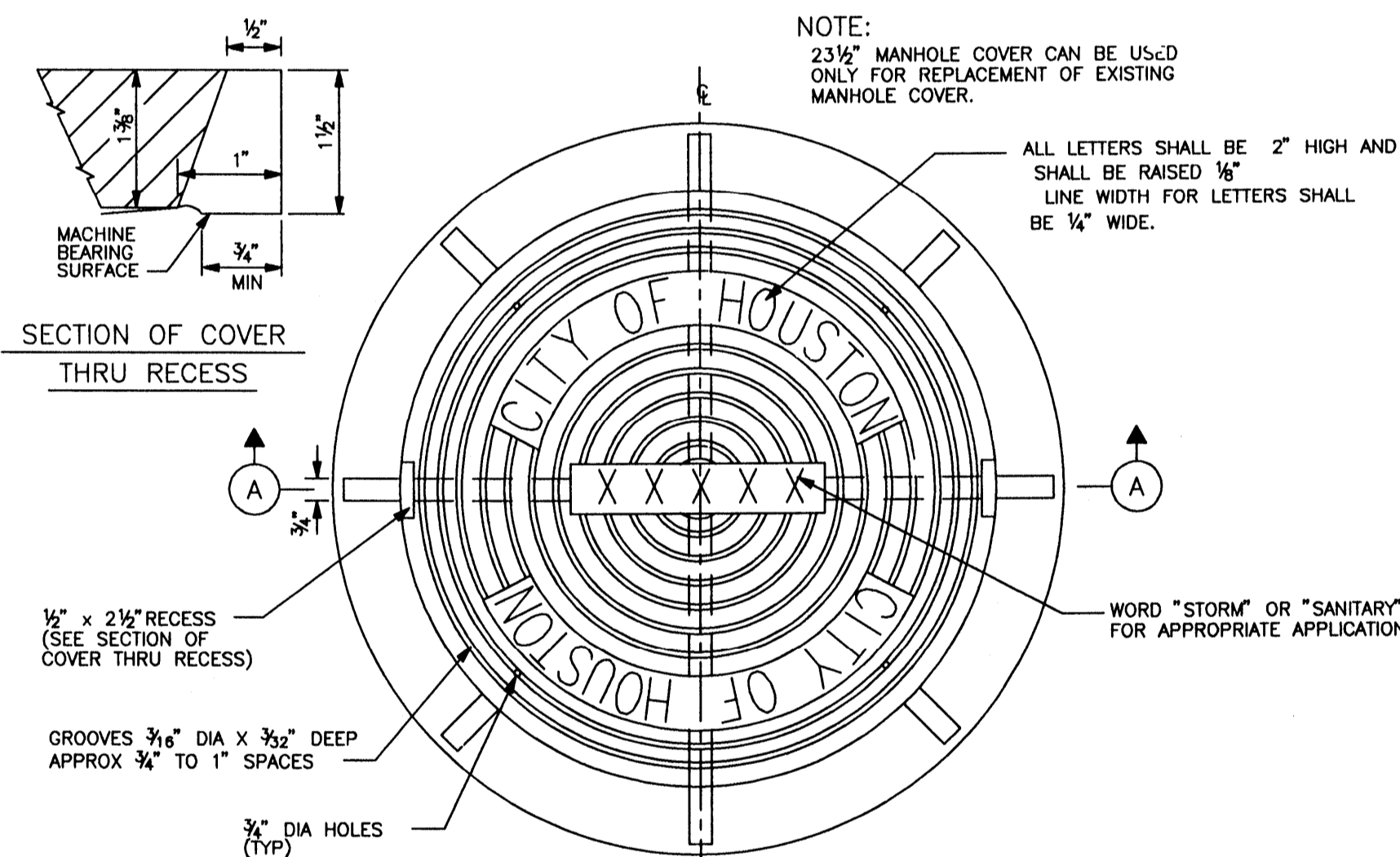


STORM SEWER BEDDING AND BACKFILL FOR 24" TO 36" DIAMETER RCP WHERE SATISFACTORY SOIL CONDITIONS EXIST (NOT TO SCALE)

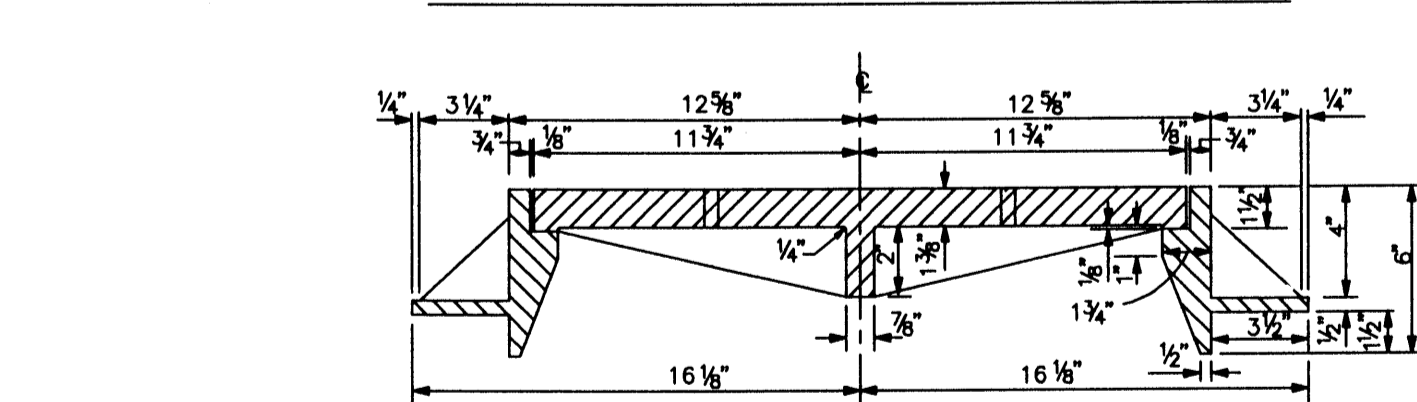
EFF DATE: JUL-01-97 DWG NO: 02317-04



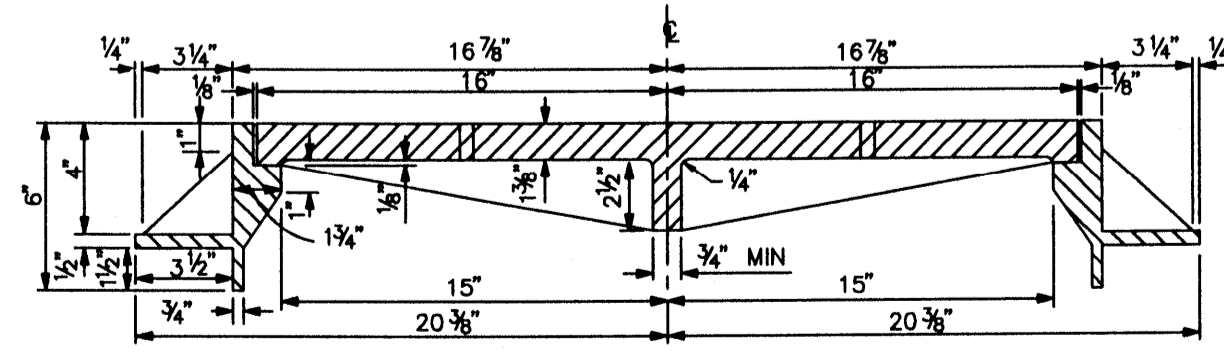
SECTION OF COVER THRU RECESS



PLAN 23 1/2" AND 32" MANHOLE COVER WITH FRAME



SECTION A 23 1/2" MANHOLE COVER WITH FRAME

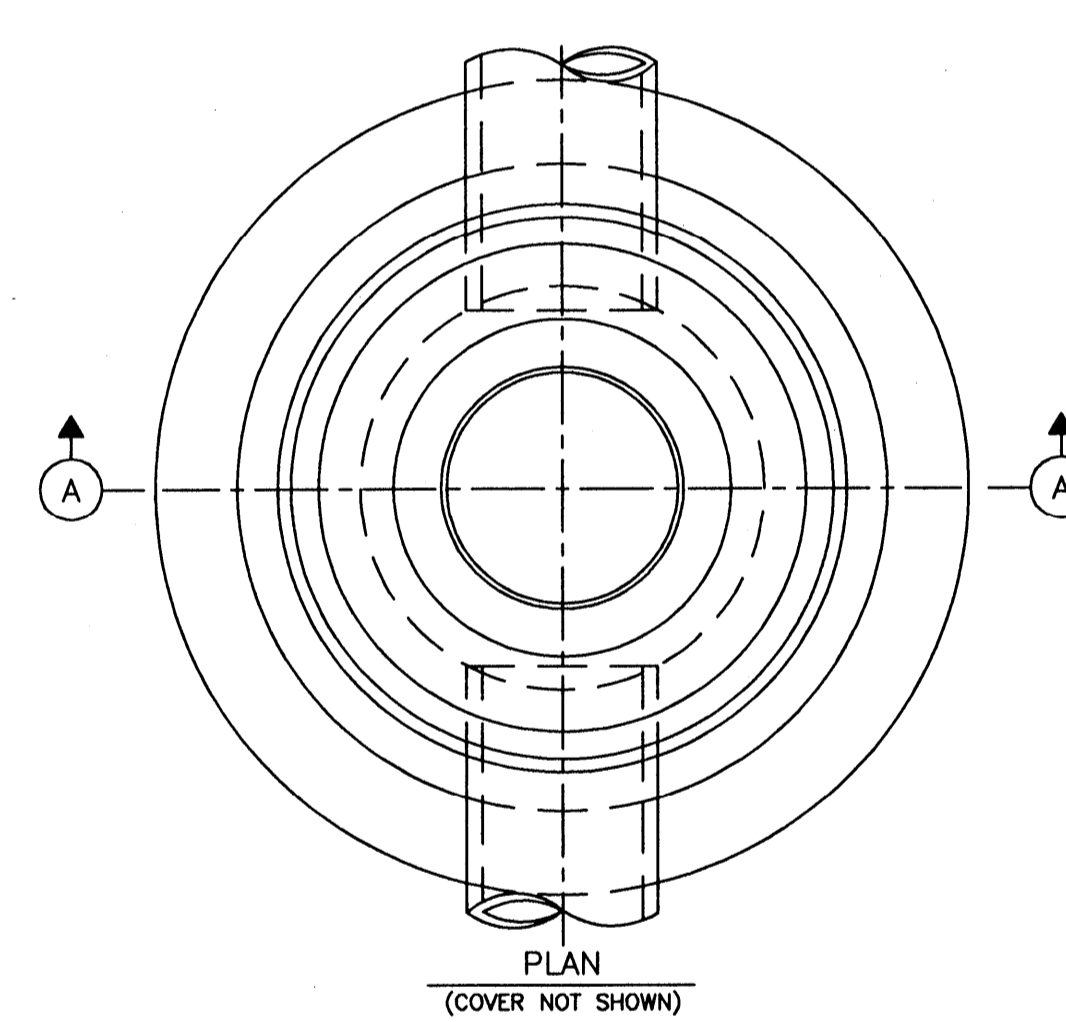


SECTION A 32" MANHOLE COVER WITH FRAME

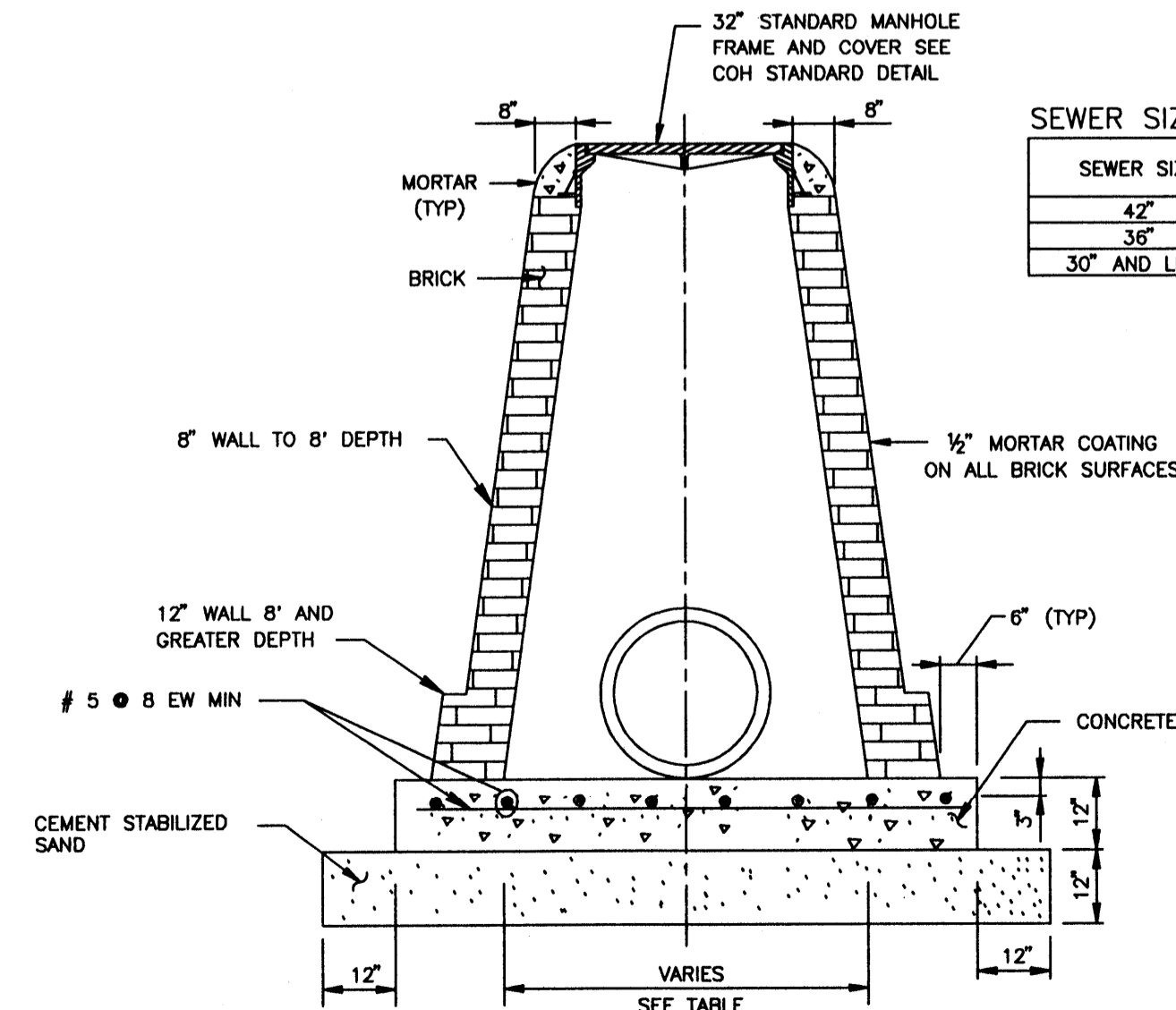
MANHOLE FRAME AND COVER (NOT TO SCALE)

EFF DATE: JUL-01-97 DWG NO: 02084-01

NOTE: 23 1/2" MANHOLE COVER CAN BE USED ONLY FOR REPLACEMENT OF EXISTING MANHOLE COVER.  
 ALL LETTERS SHALL BE 2" HIGH AND SHALL BE RAISED 1/8" LINE WIDTH FOR LETTERS SHALL BE 1/4" WIDE.



PLAN (COVER NOT SHOWN) 32" STANDARD MANHOLE FRAME AND COVER SEE COH STANDARD DETAIL

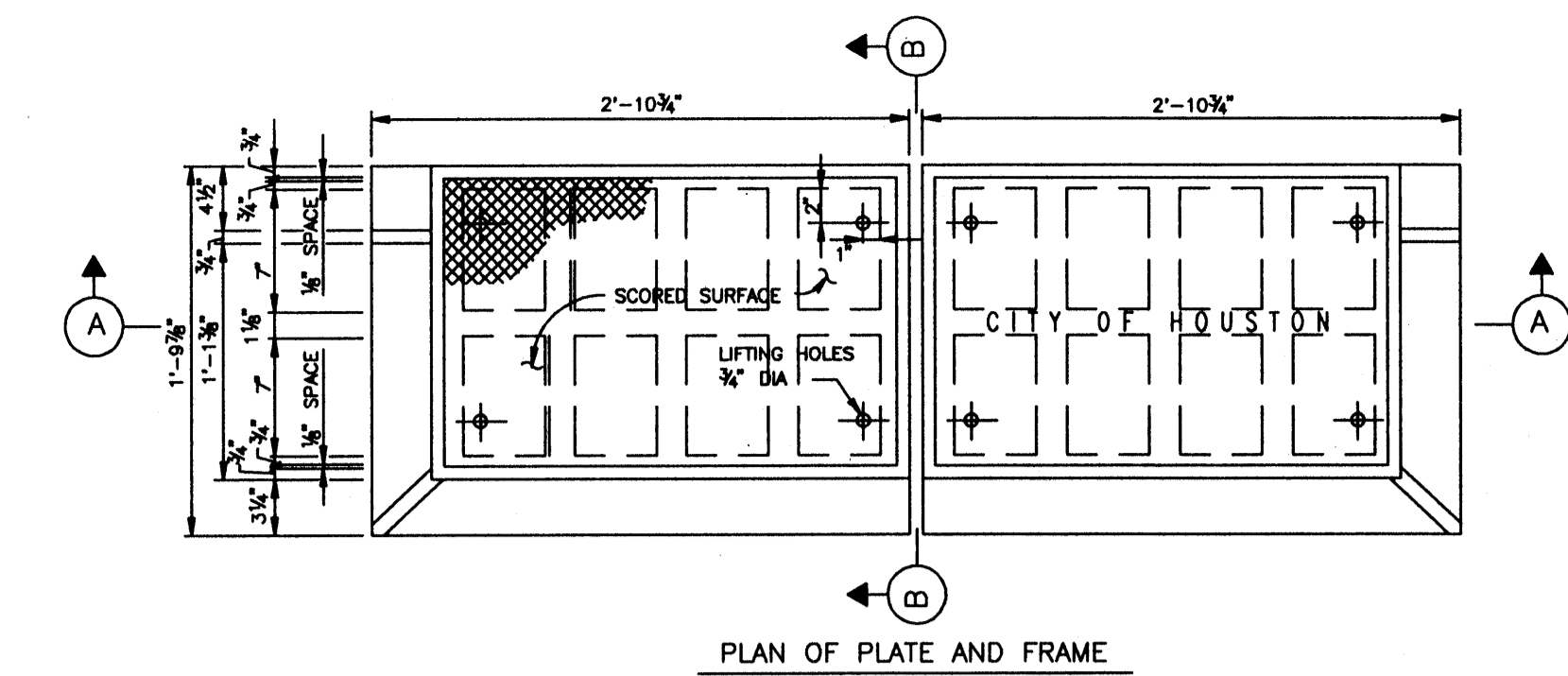


SECTION A

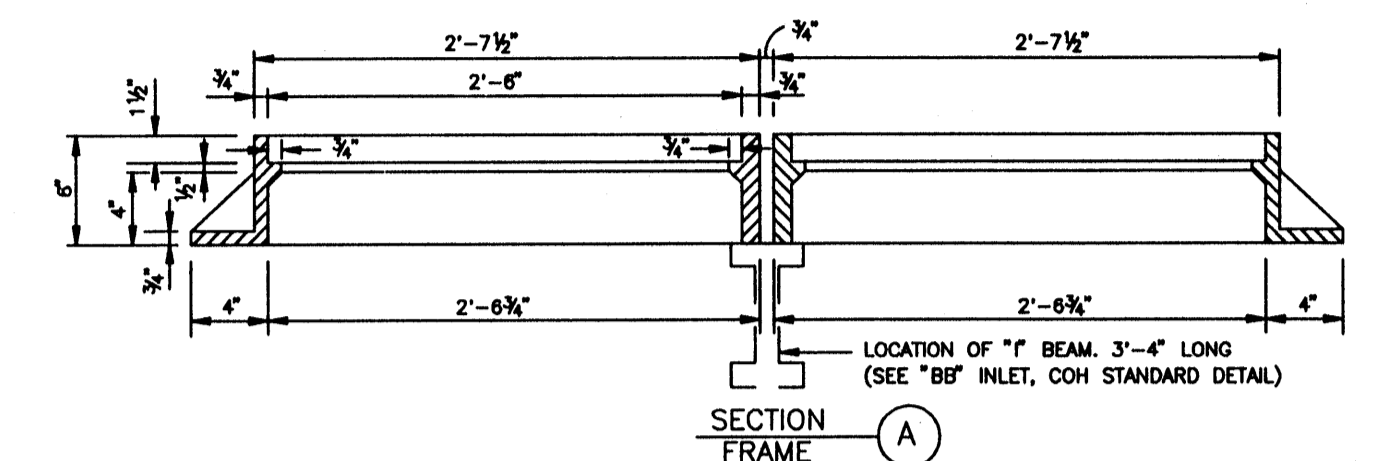
TABLE SEWER SIZE VS MANHOLE SIZE	
SEWER SIZE	MANHOLE BASE DIAMETER
42"	5'-0"
36"	4'-6"
30" AND LESS	4'-0"

STORM SEWER MANHOLE TYPE "C" FOR 42" DIAMETER RCP AND SMALLER (NOT TO SCALE)

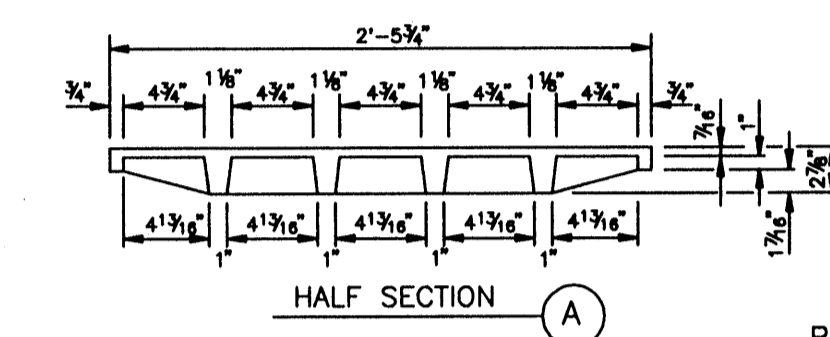
EFF DATE: JUL-01-97 DWG NO: 02081-03



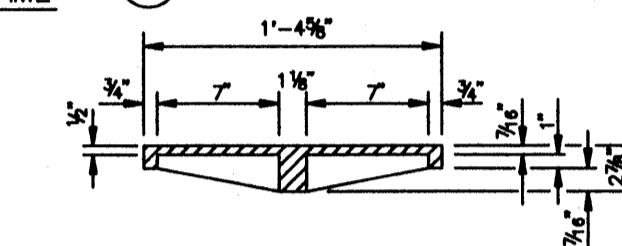
PLAN OF PLATE AND FRAME



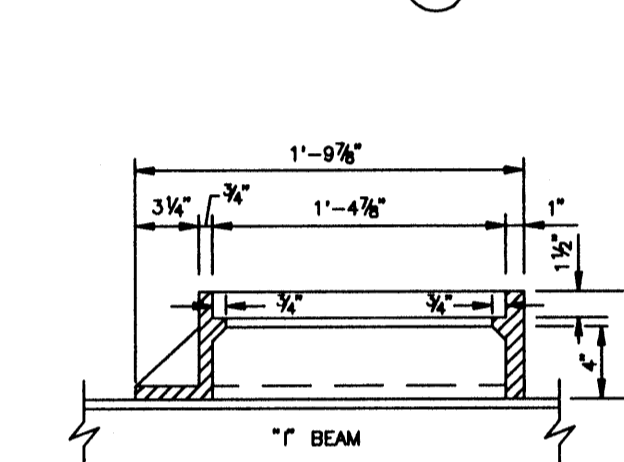
SECTION A



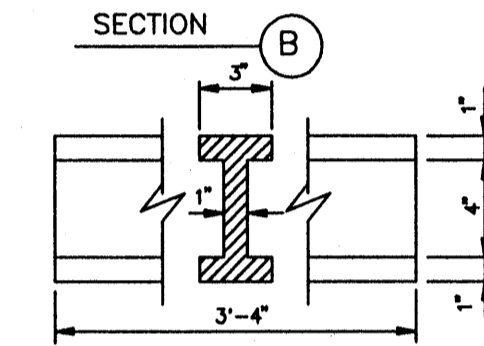
HALF SECTION A



SECTION B



SECTION B FRAME AND I BEAM



I" BEAM (CAST IRON)

STORM SEWER TYPE "BB" INLET PLATE, FRAME, AND I BEAM (NOT TO SCALE)

EFF DATE: JUL-01-97 DWG NO: 02084-04

**CITY OF HOUSTON**  
 DEPARTMENT OF PUBLIC WORKS AND ENGINEERING

REVIEWED BY	
PRIVATELY FUNDED PUBLIC WORKS	CITY FUNDED PUBLIC WORKS
<i>Victor Soliz</i> WATER	
<i>Shelby G. O.</i> WASTEWATER	PROJECT MANAGER
<i>Patricia L. G. 2K</i> STORM WATER	CONSTRUCTION
	CHIEF ENGINEER

OTHER APPROVAL  
 TRAFFIC AND TRANSPORTATION SPONSOR DEPARTMENT

CITY ENGINEER *Shelby G. O.* DATE 1-11-2000  
 DIRECTOR OF PUBLIC WORKS AND ENGINEERING

SUBMITTED: \_\_\_\_\_ DESIGNED BY: BOBBY WILSON  
 SCALE: N/A DRAWN BY: BILL DORRIS  
 DATE: NOVEMBER 1999 SHEET NO. 7 OF 11 SHEETS  
 SURVEY BY: \_\_\_\_\_ CITY DWG. NO. STORMD.DWG  
 F B NO: 481

**STORM SEWER STANDARD DETAILS**

**PCI** PROVIDENT CONSULTING, INC.  
 1200 WEST 11TH ST.  
 HOUSTON, TEXAS 77008  
 (713)802-1019