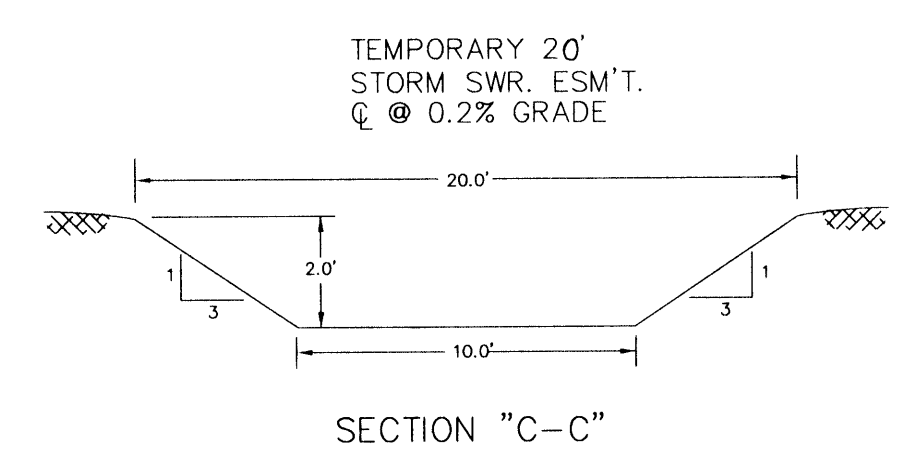


BENCH MARK

BENCH MARK: NATIONAL GEODETIC SURVEY MARKER
 Y1216, 1973 ADJ., ELEV = 125.994
 Y1216, 1978 ADJ., ELEV = 125.406
 Y1216, 1988 ADJ., ELEV = 123.94 ADJUSTMENT
 USED FOR CUTTEN ROAD.
 ELEVATIONS SHOWN HEREON ARE BASED ON 1973
 ADJUSTMENT.
 TEMP: TOP OF CURB AT CENTERLINE INLET NORTH
 SIDE OF TOURNAMENT DRIVE AT CENTERLINE
 QUEENSLUB DRIVE ELEV. = 114.69

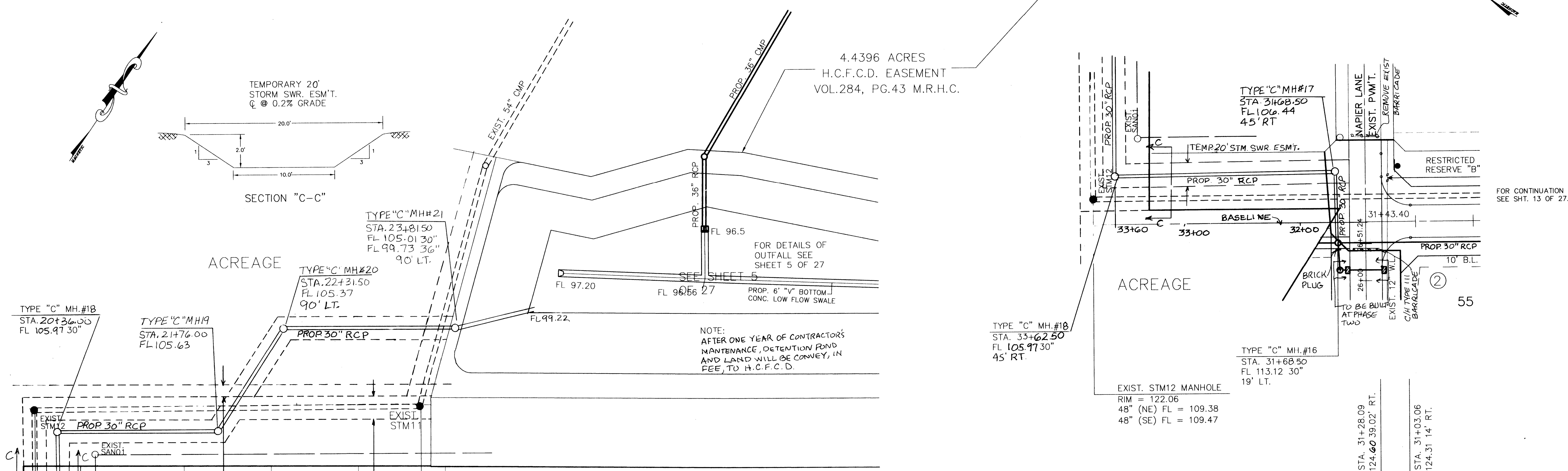
APPROX. CENTERLINE OF CYPRESS CREEK
 VOL.284, PG.43 M.R.H.C.

4.4396 ACRES
 H.C.F.C.D. EASEMENT
 VOL.284, PG.43 M.R.H.C.



ACREAGE

ACREAGE



NOTE:
 AFTER ONE YEAR OF CONTRACTOR'S
 MAINTENANCE, DETENTION FUND
 AND LAND WILL BE CONVEY, IN
 FEE, TO H.C.F.C.D.

FOR CONTINUATION
 SEE SHT. 13 OF 27.

APPROVED: *Charlie Falkner*
 Assistant County Engineer
 2/16/98
 Date

Water & Sanitary Sewer Lines Approved as to
 Location Only
 The Above Authorization is Valid for 1 Year
 Only

Rev.	Date	Description	App.
1	11-5-98	CHANGE TOP OF CURB	

PRIVATE UTILITY LINES SHOWN

- ENTEX, INC.
- SOUTHWESTERN BELL TELEPHONE CO.
Valid for One Year Only
- HOUSTON LIGHTING & POWER CO.
Approval Only for Crossing Underground
Ductlines Unless Noted. Valid at Time of Review Only.

CITY OF HOUSTON
 DEPARTMENT OF PUBLIC WORKS & ENGINEERING
 ENGINEERING, CONSTRUCTION AND REAL ESTATE GROUP

SECTION APPROVALS

<i>Michael V. Haldwin</i> 12-1-97 WATER ENGINEERING	TRAFFIC AND SIGNAL ENGINEERING
<i>John W. ...</i> 1-2-98 WASTEWATER ENGINEERING	STREET & BRIDGE ENGINEERING
<i>John W. ...</i> 12-22-97 STORM SEWER ENGINEERING	CONSTRUCTION

OTHER DEPARTMENTS

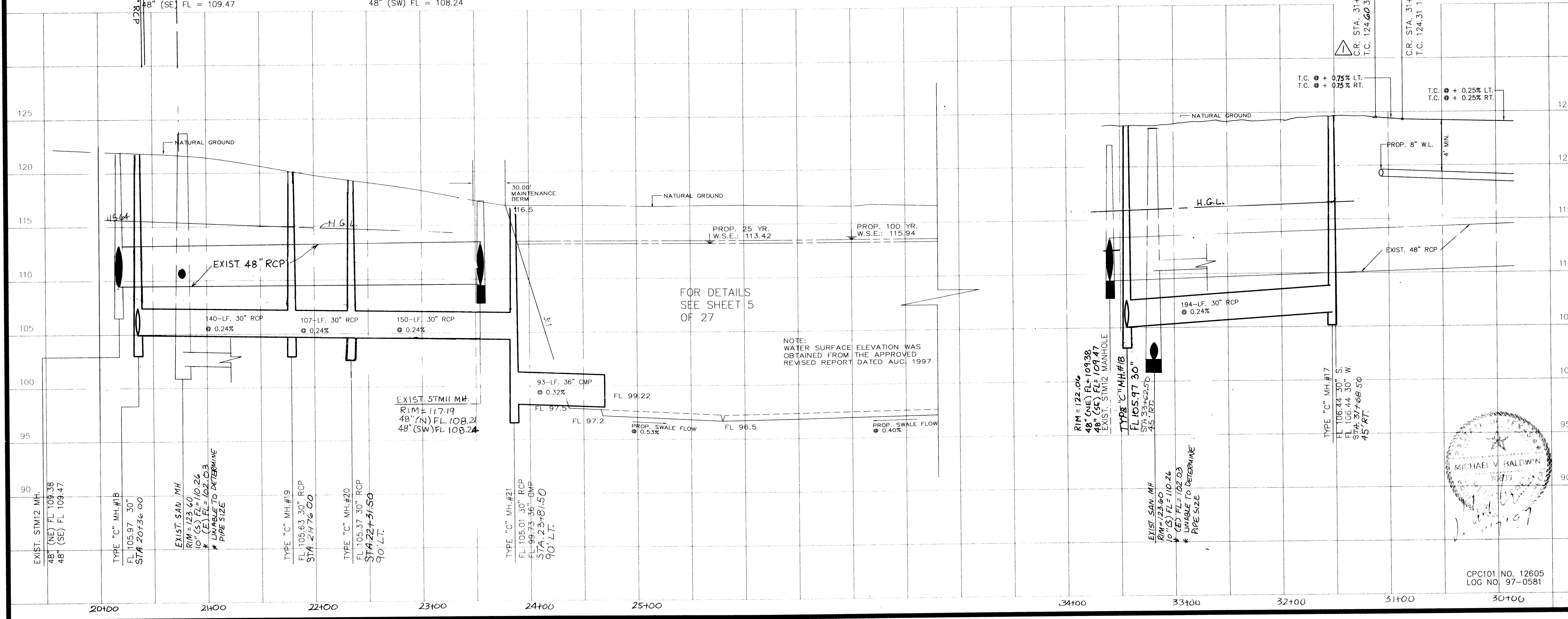
PLANNING AND DEVELOPMENT SPONSOR DEPARTMENT

John W. ... 1/15/98
 CITY ENGINEER DATE
Michael V. Haldwin 1-16-98
 DIRECTOR OF PUBLIC WORKS DATE

SUBMITTED: V. 1" = 5'
 SCALE: H. 1" = 50'
 DATE: AUGUST 1997
 SURVEY BY: MICHAEL V. HALDWIN
 F B NO: SHEET NO. 13A OF 27 SHEETS
 CITY DWG. NO.

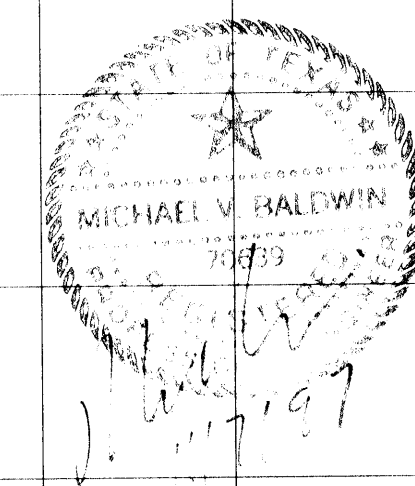
M.U.D. 191
 PLAN & PROFILE
 QUAHNA DR. AND OUTFALL

PEI PROVIDENT ENGINEERS, INC.
 11241 RICHMOND, SUITE E107
 HOUSTON, TEXAS 77082



FOR DETAILS
 SEE SHEET 5
 OF 27

NOTE:
 WATER SURFACE ELEVATION WAS
 OBTAINED FROM THE APPROVED
 REVISED REPORT DATED AUG. 1997



CPC101 NO. 12605
 LOG NO. 97-0581