

MANHOLE
FRAME AND COVER
(NOT TO SCALE)
02084-01

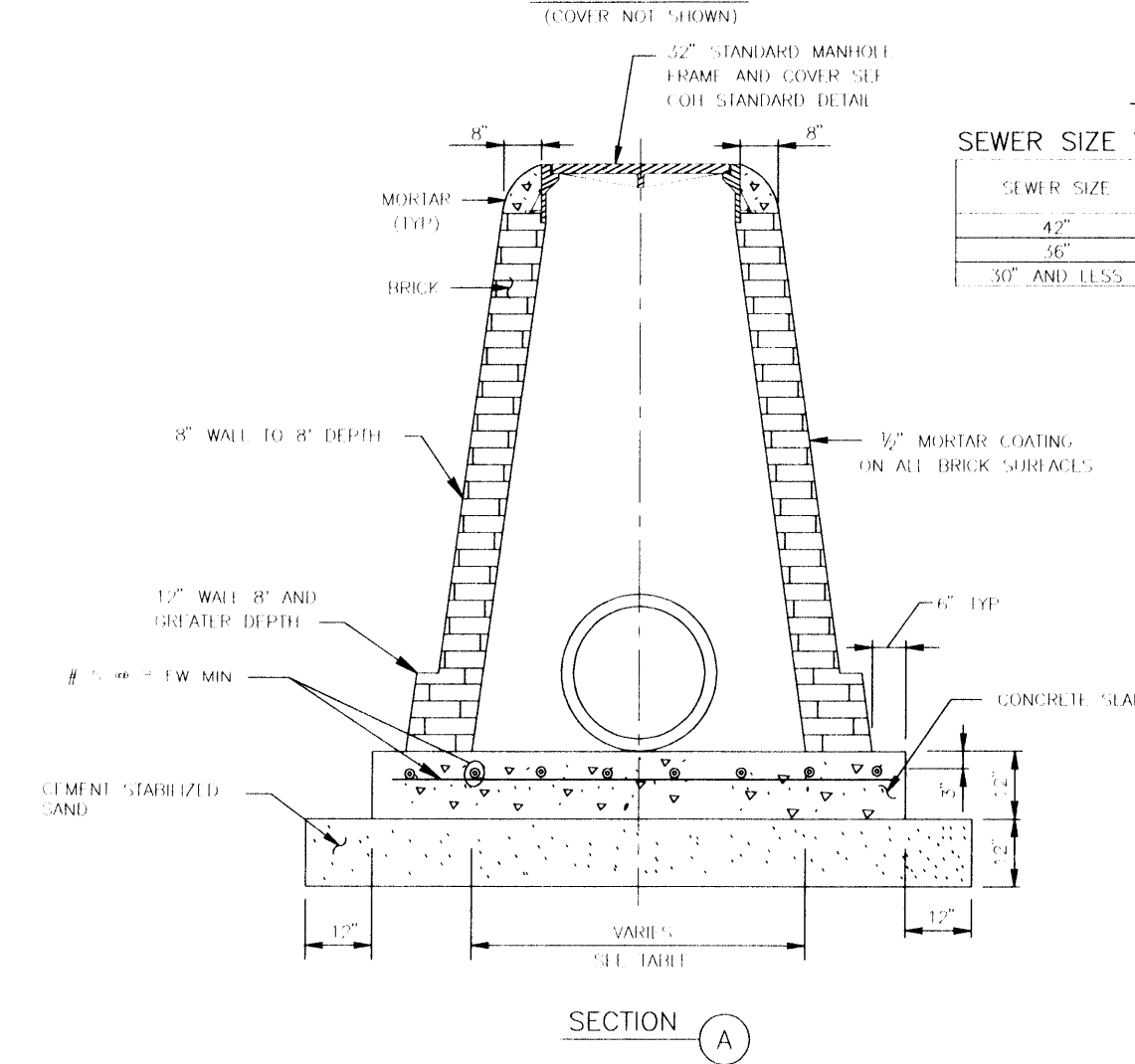
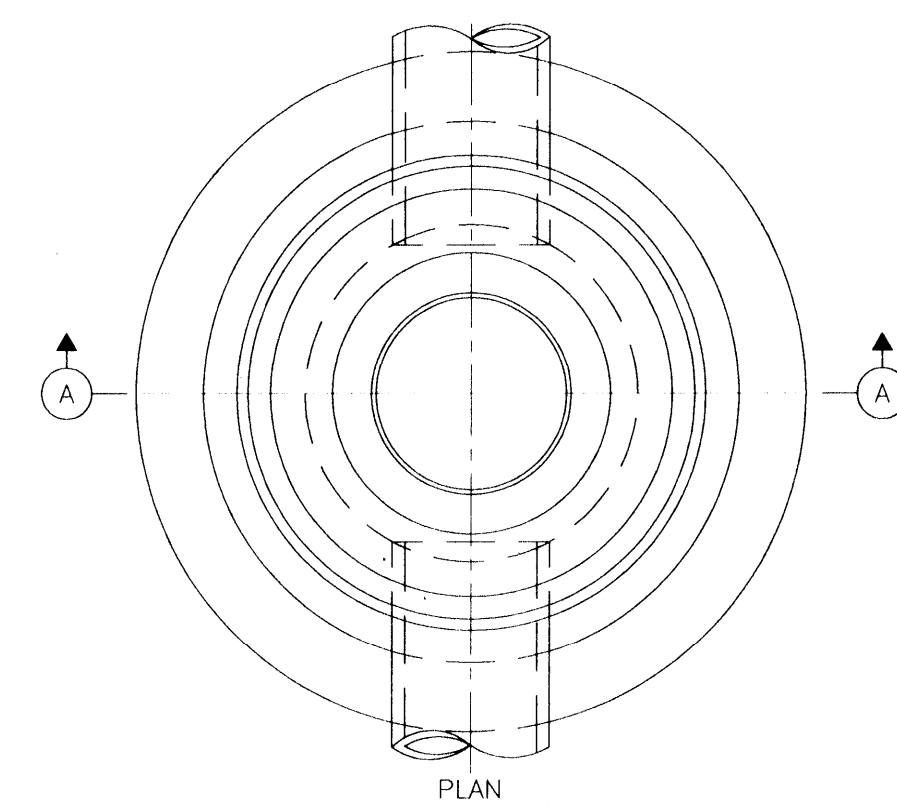
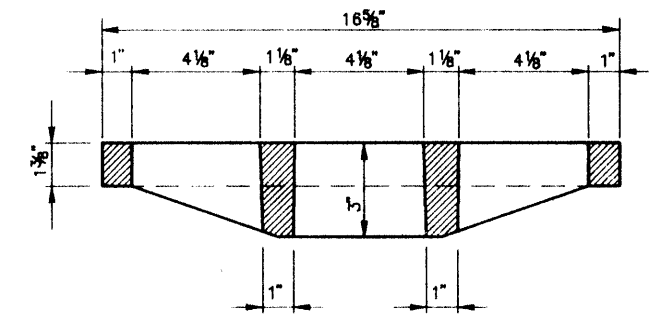
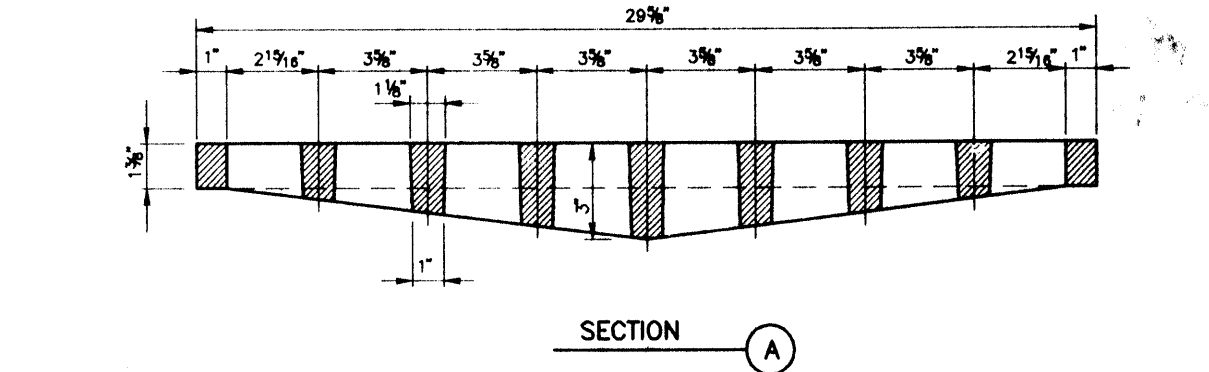
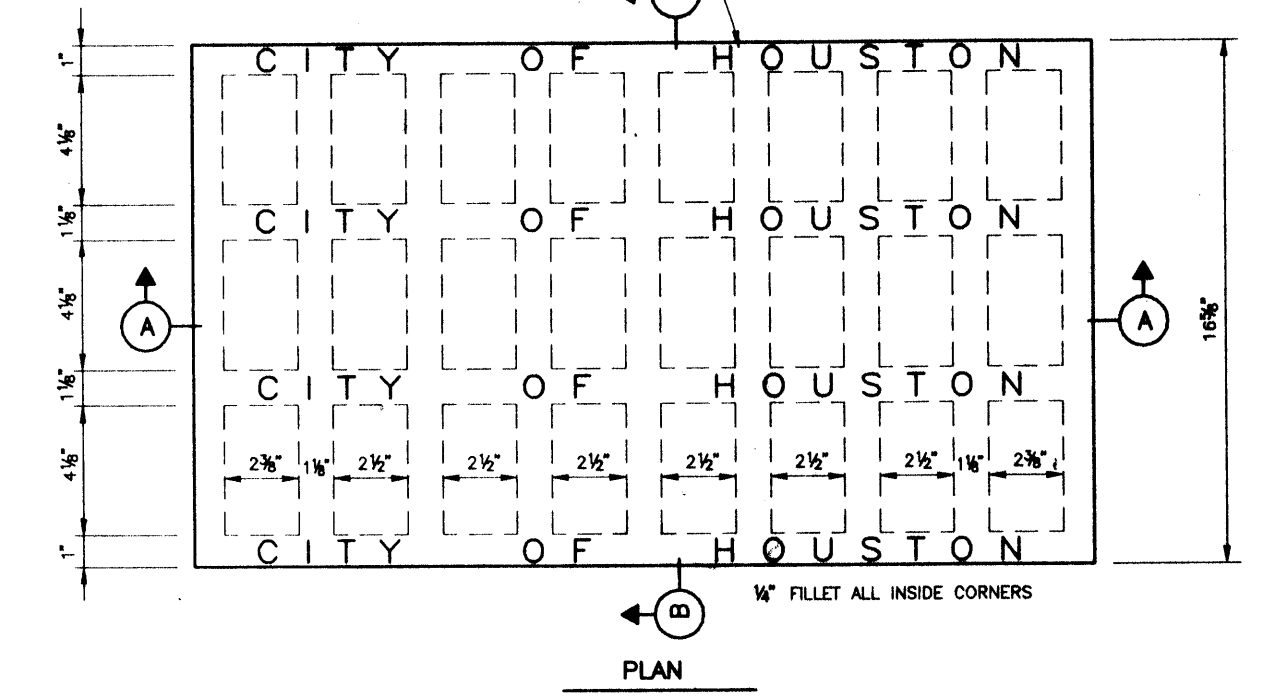
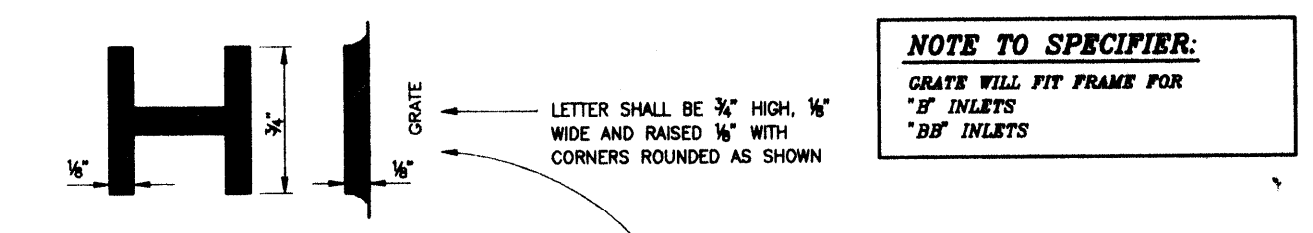


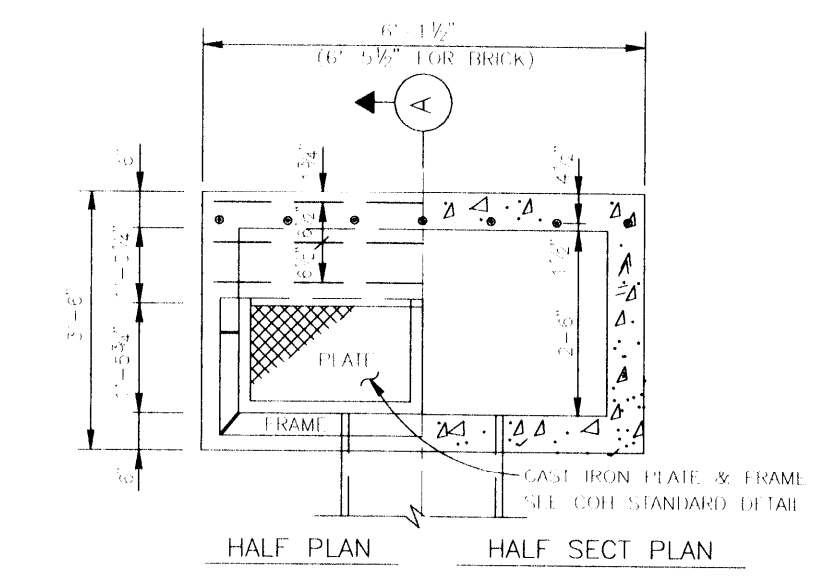
TABLE
SEWER SIZE VS MANHOLE SIZE

SEWER SIZE	MANHOLE FRAME DIAMETER
42"	52"
36"	48"
30" AND LESS	44"

STORM SEWER
MANHOLE TYPE "C" FOR 42"
DIA RCP AND SMALLER
(NOT TO SCALE)
02081-03

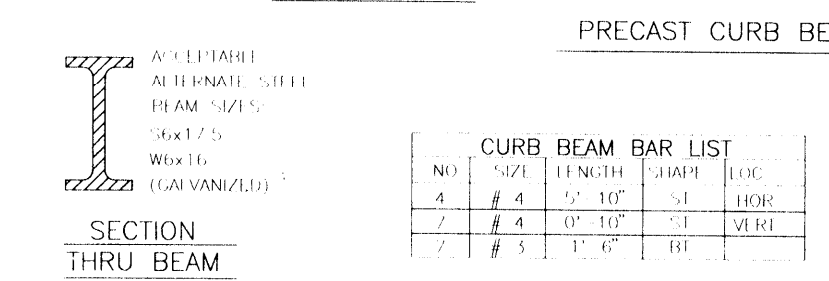
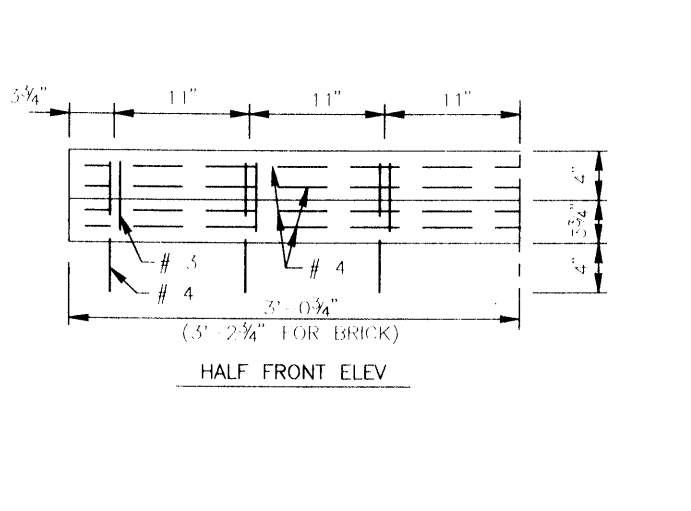
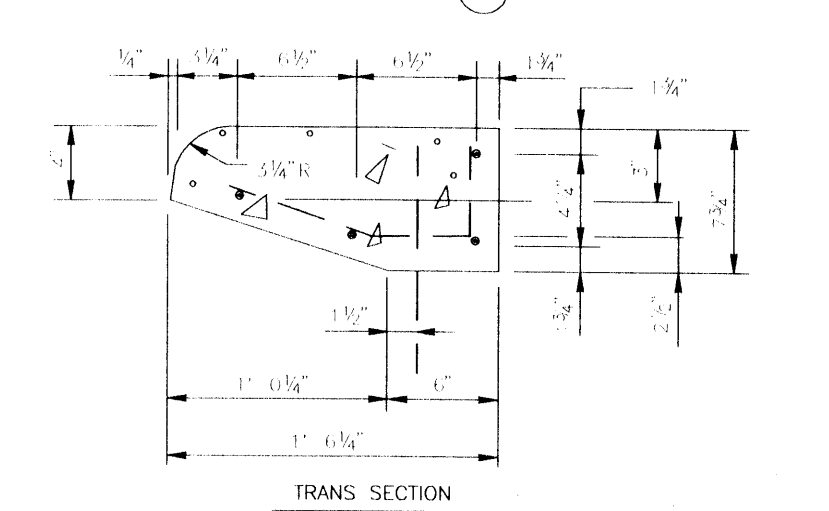
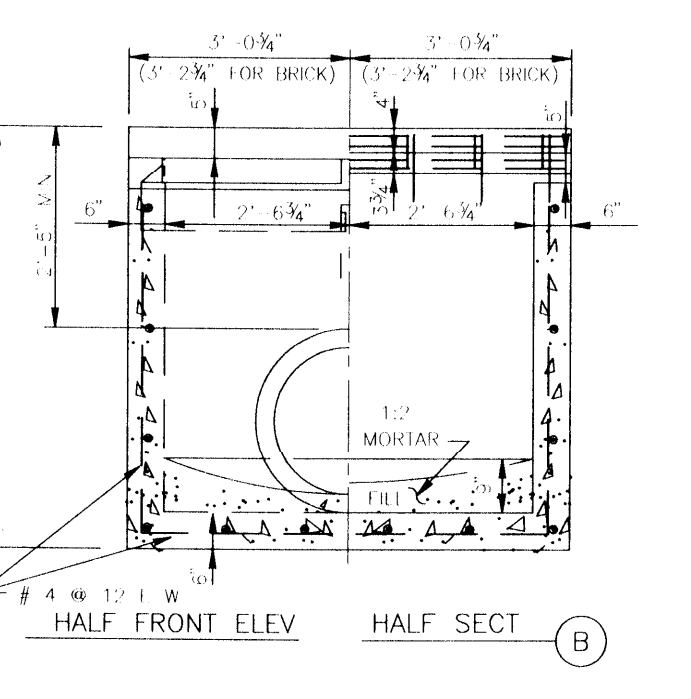
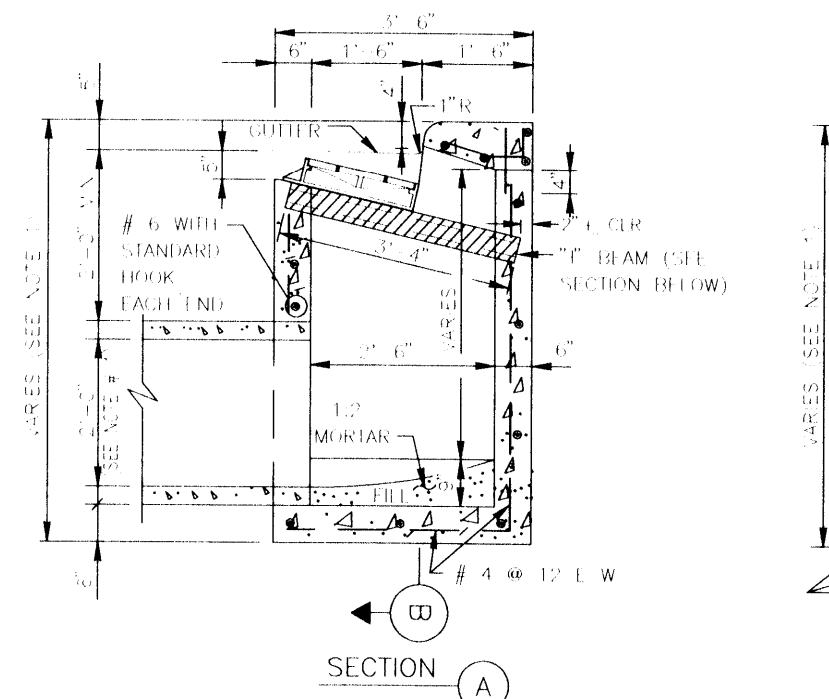


STORM SEWER
GRATE INLET
(NOT TO SCALE)



GENERAL NOTES:
USE S10 CAST IRON FRAME & FRAME LEAD SHALL LEAVE INLET AT LOCATION AND COVER REQUIRED. WHEN BRICK INLETS ARE BUILT EXISTING WORK, 4 INCHES FROM CURB BEAM INTO BRICKWORK. WHEN BRICK INLETS ARE BUILT, INLETS SHALL BE INCREASED TO 6 INCHES, AND INLET BEAMS TO BE 4 INCHES LARGER.

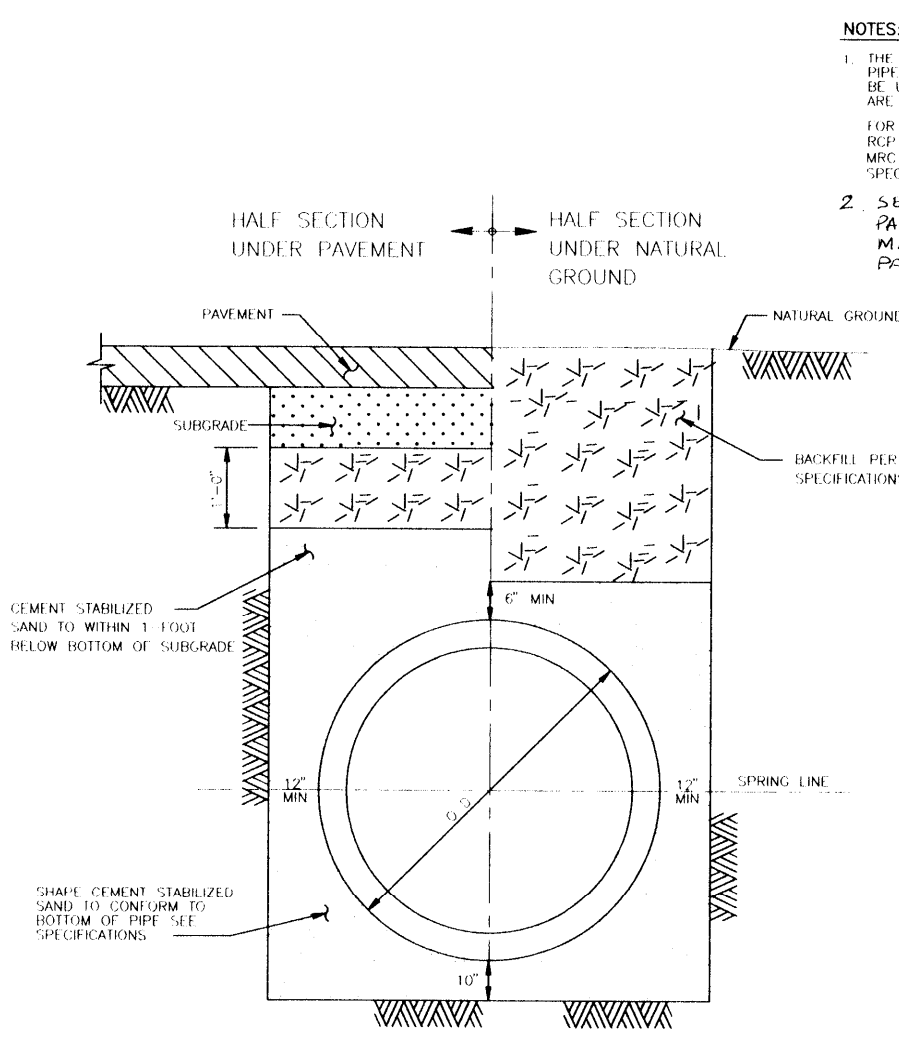
NOTES:
1. DIMENSION VARIATIONS BASED ON 1989 FRAME AND WALL THICKNESS.
2. CENTER BEING GROUND IN SEAM AND WALLS.
3. CENTER STEEL BEAM ON INLET AND CAST INTO WALLS AS SHOWN.



PRECAST CURB BEAM
CURB BEAM BAR LIST

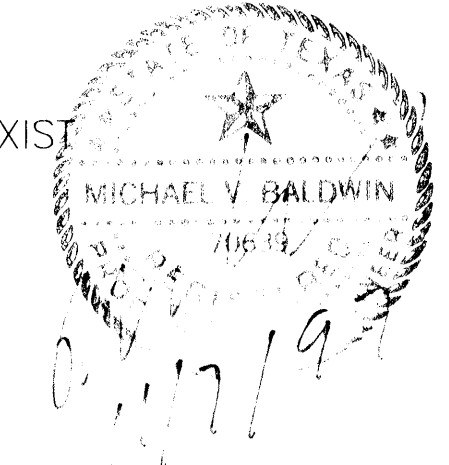
NO.	SIZE	LENGTH	QUANTITY	REMARKS
1	#4	12'-10"	2	TOP
2	#4	12'-10"	2	BOTTOM
3	#4	12'-10"	2	END

STORM SEWER
TYPE "BB" INLET
(NOT TO SCALE)
02632-04



NOTES:
1. THE METHOD OF INSTALLING CONCRETE FOR STORM SEWER SHALL BE AS SHOWN IN THESE DETAILS TO BE USED ONLY WHERE SOIL CONDITIONS ARE SATISFACTORY.
FOR ALL OTHER SOIL CONDITIONS USE RCP INLET PER CITY STANDARD DETAIL AND CONSTRUCTION PER CITY APPROVED SPECIAL DESIGN AS SHOWN ON DRAWINGS.
2. SELECT BACKFILL FOR RIGID PAVEMENT, FLEXIBLE BASE MATERIAL FOR ASPHALT PAVEMENT.

STORM SEWER
BEDDING AND BACKFILL FOR
24" TO 36" DIA RCP WHERE
SATISFACTORY SOIL CONDITIONS EXIST
(NOT TO SCALE)
02317-04



CITY OF HOUSTON
DEPARTMENT OF PUBLIC WORKS & ENGINEERING
ENGINEERING, CONSTRUCTION AND REAL ESTATE GROUP

SECTION APPROVALS

<i>[Signature]</i> 12-4-97 TRAFFIC ENGINEERING	TRAFFIC AND SIGNAL ENGINEERING
<i>[Signature]</i> 1-9-98 WASTEWATER ENGINEERING	STREET & BRIDGE ENGINEERING
<i>[Signature]</i> 1/15/98 STORM SEWER ENGINEERING	CONSTRUCTION

OTHER DEPARTMENTS

PLANNING AND DEVELOPMENT	SPONSOR DEPARTMENT
--------------------------	--------------------

CITY ENGINEER: *[Signature]* DATE: 1/15/98
DIRECTOR OF PUBLIC WORKS AND ENGINEERING: *[Signature]* DATE: 1-16-98

SUBMITTED BY: _____ DESIGNED BY: TIM
SCALE: _____ DRAWN BY: TIM
DATE: AUGUST 1997 SHEET NO. 20 OF 27 SHEETS
SURVEY BY: _____ CITY DWG. NO.: _____
F B NO.: _____

STORM SEWER DETAILS

PROVIDENT ENGINEERS, INC.
11241 RICHMOND, SUITE E107
Houston, Texas 77082