

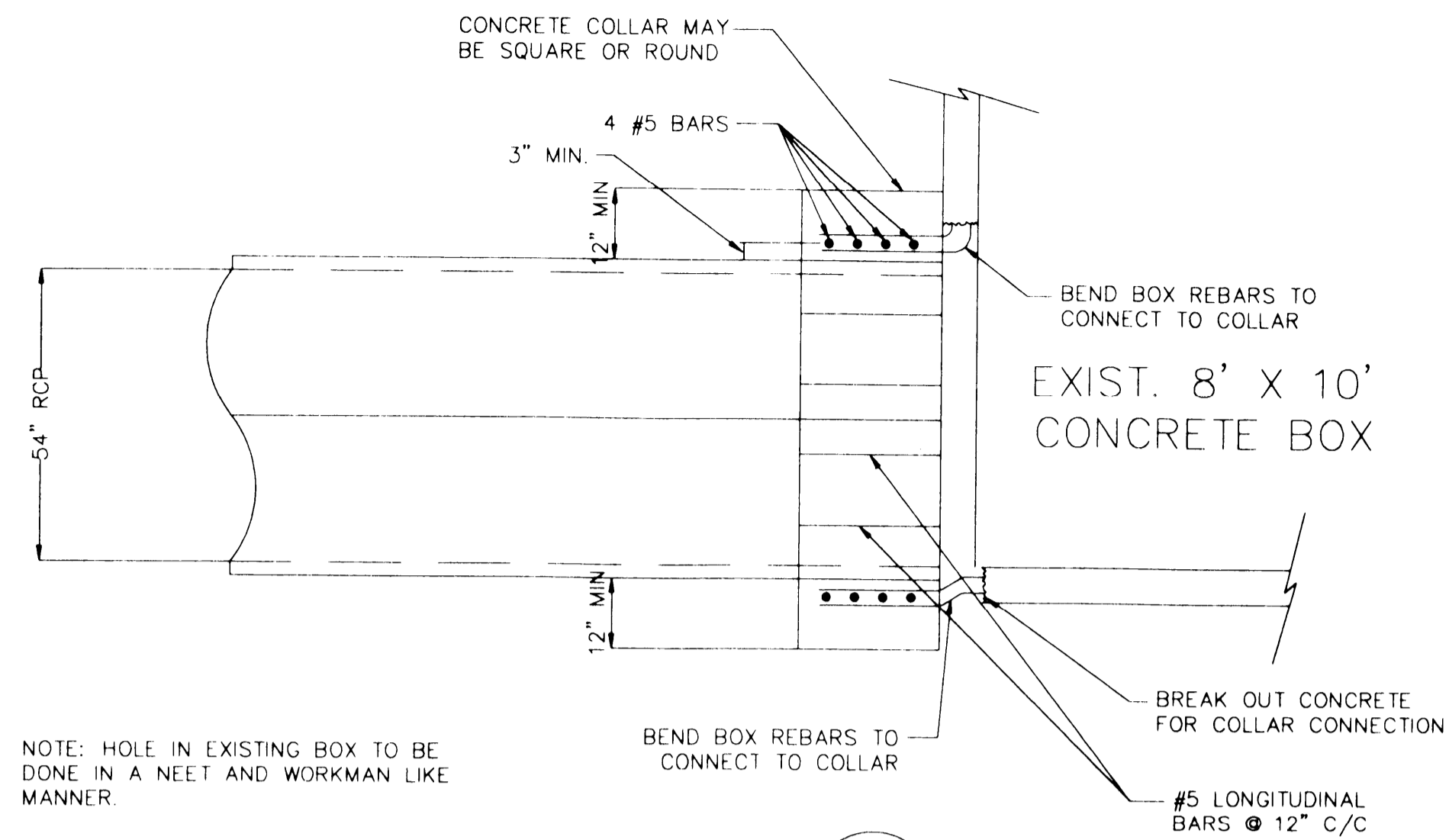
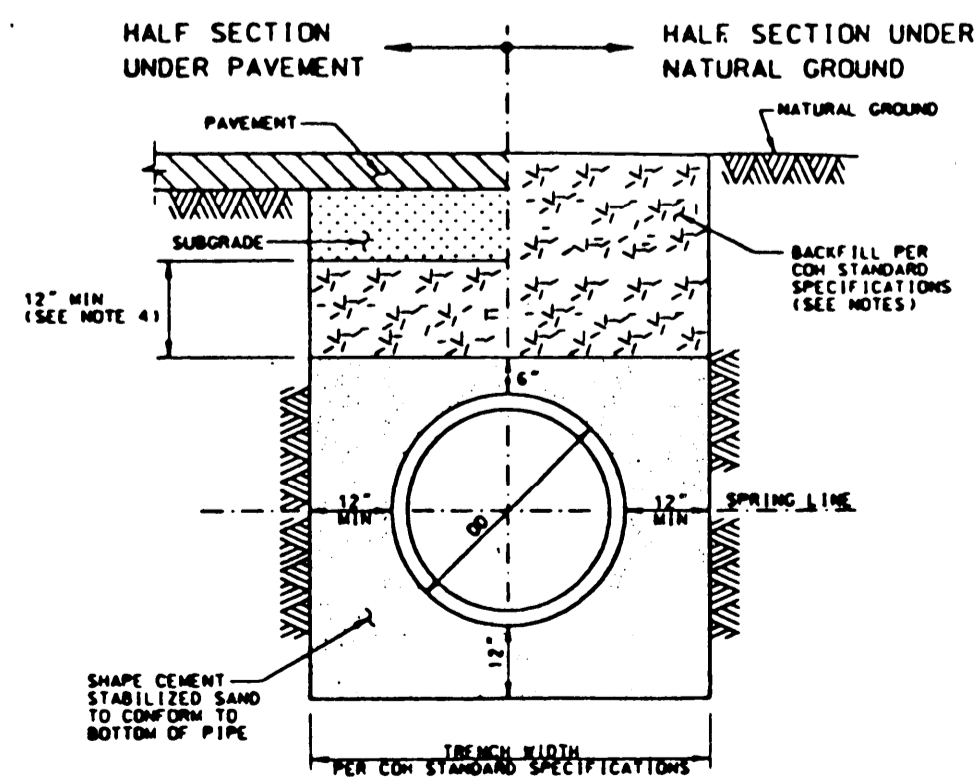
SECTION B
REPAIR OF REINFORCED CONCRETE PAVEMENT

NOTE:

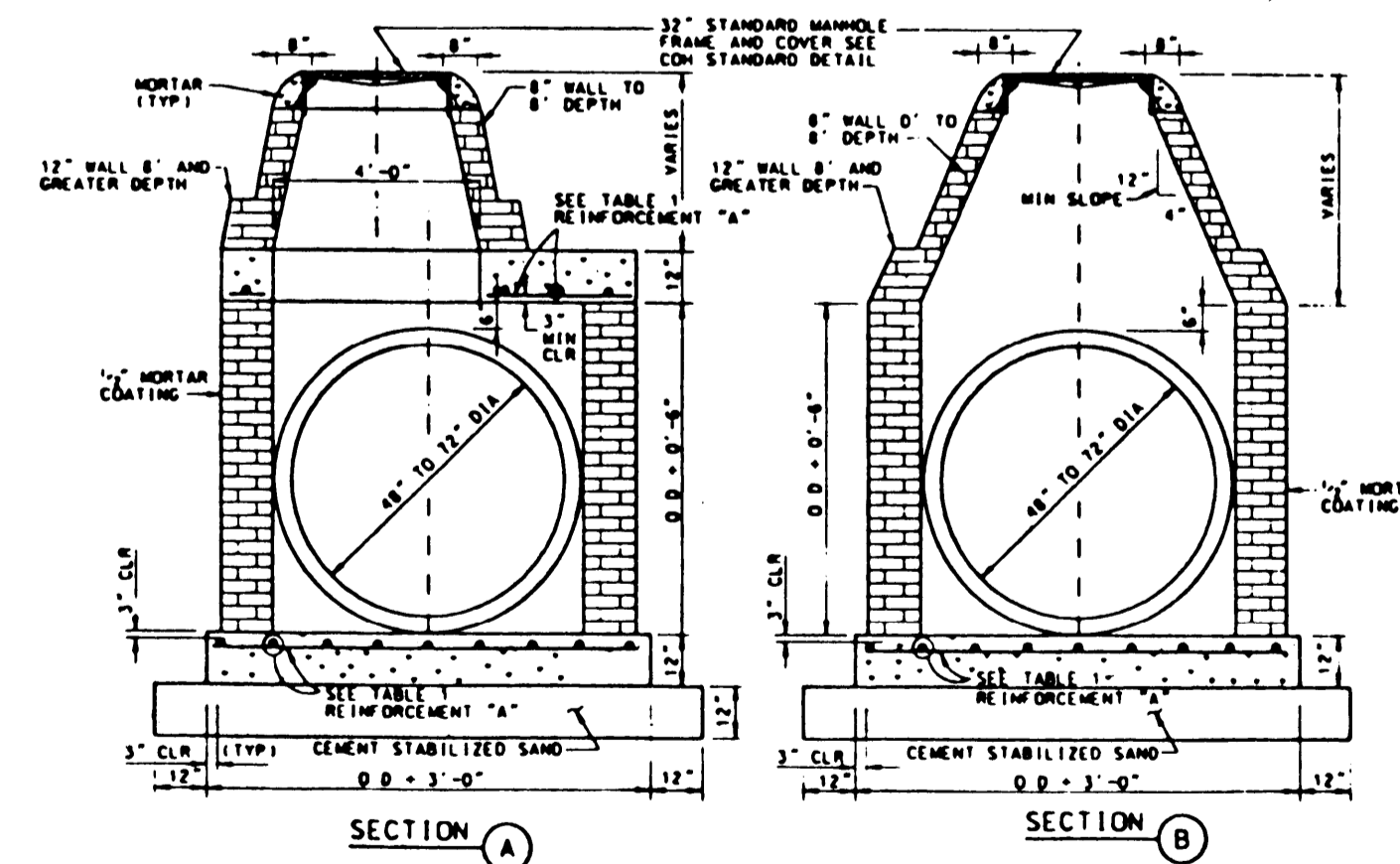
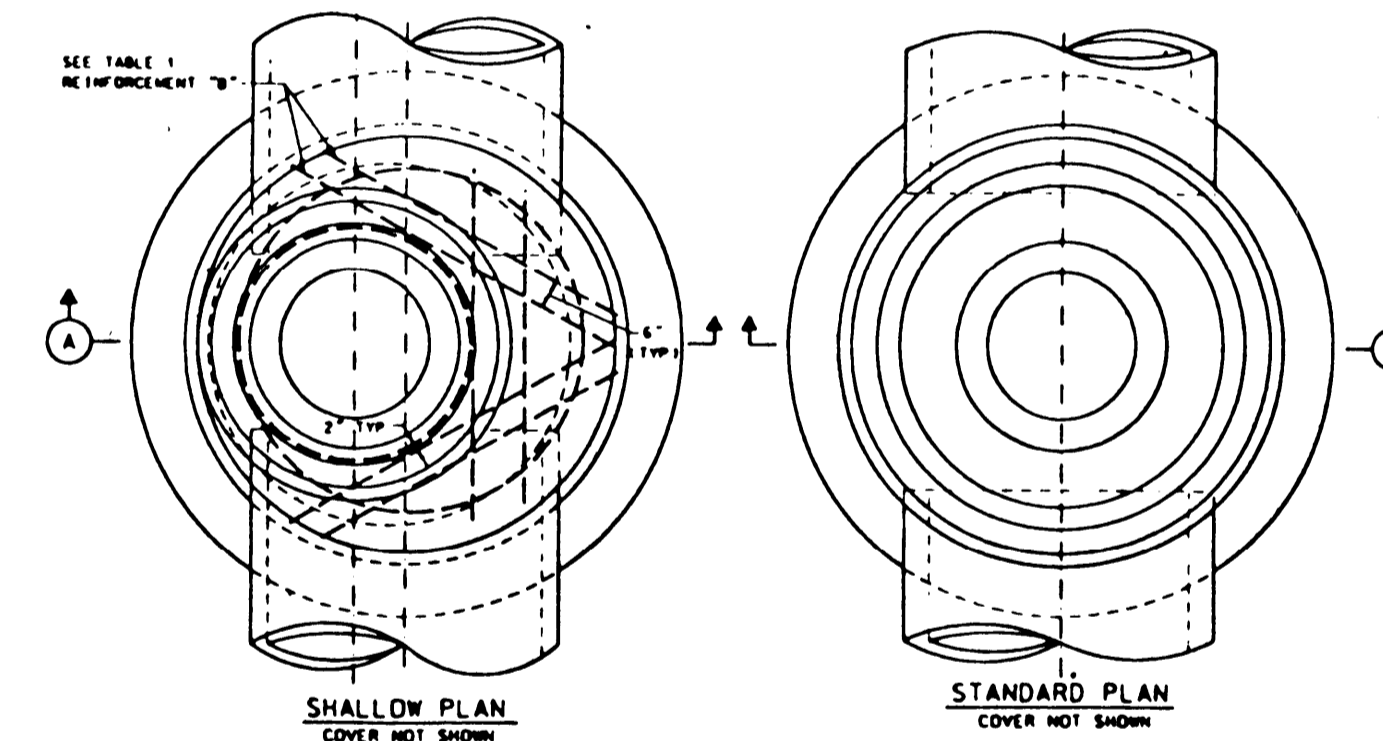
1. EXPOSE 15" OF REINFORCING STEEL AT PROPOSED SAWED JOINT. IF NO REINFORCING STEEL EXISTS, USE HORIZONTAL DOWELS. HORIZONTAL DOWELS SHALL BE # 6 BARS, 24" LONG, 24" C-C, DRILLED AND EMBEDDED 8" INTO THE CENTER OF THE EXISTING SLAB, WITH "PO ROC" OR EQUAL.
2. IF REINFORCED CONCRETE IS OVERLAYED WITH ASPHALT, REPLACE WITH 2" MIN HMA SURFACING.
3. CENTER REINFORCING IN SLAB THICKNESS.

NOTES:

1. THE METHOD OF INSTALLING CONCRETE PIPE STORM SEWERS SHOWN HEREON TO BE USED ONLY WHERE SOIL CONDITIONS ARE SATISFACTORY. FOR ALL OTHER SOIL CONDITIONS USE RCP INSTALLED PER COH STANDARD DETAIL AND CONSTRUCTION PER COH STANDARD DETAIL OR APPROVED SPECIAL DESIGN AS SHOWN ON DRAWINGS.
2. BACKFILL MATERIAL UNDER PAVEMENT AND WITHIN 1-FOOT BEHIND CURB, SHALL BE SUITABLE MATERIAL.
3. BACKFILL MATERIAL OUTSIDE OF PAVEMENT AREA SHALL BE SUITABLE ON-SITE MATERIAL. IF ON-SITE MATERIAL IS UNACCEPTABLE, MIXING 1-FOOT OF EXCAVATED MATERIALS FROM THE SITE TO OBTAIN ACCEPTABLE SOIL CLASSIFICATION FROM TRENCH BACKFILL IS ALLOWED.
4. SELECT BACKFILL FOR RIGID PAVEMENT; FLEXIBLE BASE MATERIAL FOR ASPHALT PAVEMENT.



DETAIL A



NOTE:

WHEN MANHOLE HAS LESS DEPTH THAN MIN SHOWN ON TABLE 1, BUILD SECTION A; OTHERWISE BUILD SECTION B.

PIPE DIA (INCHES)	MIN DEPTH	REINFORCEMENT 17"x1"	REINFORCEMENT 2"x6"
18"	8'-0"	# 5 @ 12" E-W	2 - # 6
24"	9'-4"	# 5 @ 10" E-W	2 - # 6
30"	10'-7"	# 5 @ 8" E-W	2 - # 7
36"	11'-10"	# 5 @ 7" E-W	2 - # 7
42"	13'-2"	# 5 @ 6" E-W	2 - # 7

Bobby K. Wilson
9-29-98

BENCH MARK

APPROVED BY: ASSISTANT FOR COUNTY ENGINEER

DATE
WATER & SANITARY SEWER LINES APPROVED AS TO LOCATION ONLY
THE ABOVE AUTHORIZATION IS VALID FOR 1 YEAR ONLY

Rev.	Date	Description	App.

PRIVATE UTILITY LINES SHOWN

- NA ENTEX, INC.
- NA SOUTHWESTERN BELL TELEPHONE CO. Valid for One Year Only
- NA HOUSTON LIGHTING & POWER CO. Approval Only for Crossing Underground. Ductlines Unless Noted. Valid at Time of Review Only.

CITY OF HOUSTON
DEPARTMENT OF PUBLIC WORKS & ENGINEERING
ENGINEERING, CONSTRUCTION AND REAL ESTATE GROUP

- SECTION APPROVALS
- WATER DESIGN: *[Signature]* 10/10/98
 - TRAFFIC AND SIGNAL DESIGN: *[Signature]* 10/10/98
 - STORM SEWER DESIGN: *[Signature]* 10/10/98
 - STREET, BRIDGE AND RIGHT-OF-WAY DESIGN: *[Signature]*
 - WASTEWATER DESIGN: *[Signature]*
 - CONSTRUCTION: *[Signature]*

OTHER DEPARTMENTS

PLANNING AND DEVELOPMENT

CITY ENGINEER: *[Signature]* 10.10.98 DATE

DIRECTOR OF PUBLIC WORKS AND ENGINEERING: *[Signature]* 10/12/98 DATE

SUBMITTED: V: 1" = 2" H: 1" = 20"
SCALE: DATE: 09/26/98 DESIGNED BY: BOBBY WILSON
SURVEY BY: SHEET NO. 7 OF 9 SHEETS
JOB NO: 466 DWG. NO. DETAILS1

HIGHLAND OAKS
DETAILS

(STORM SEWER & PAVING REPAIR)

PCI PROVIDENT CONSULTING, INC.
1200 WEST 11TH ST.
HOUSTON, TEXAS 77008
(713)802-1019