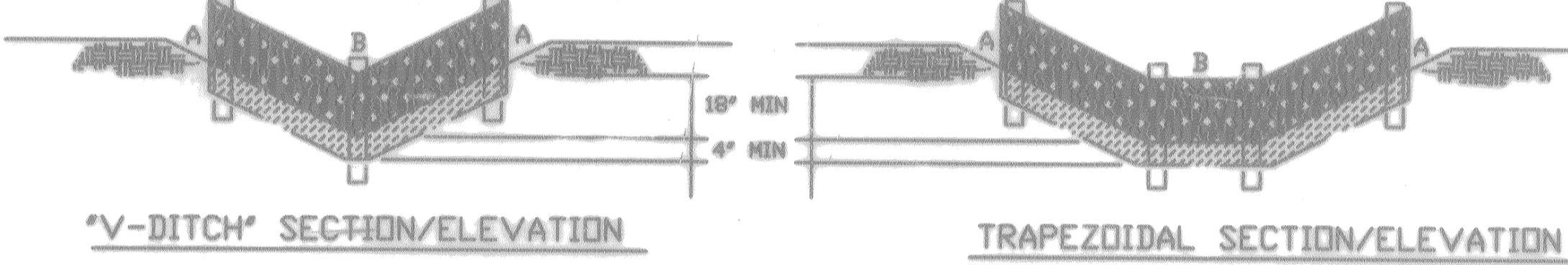
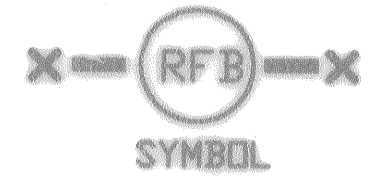


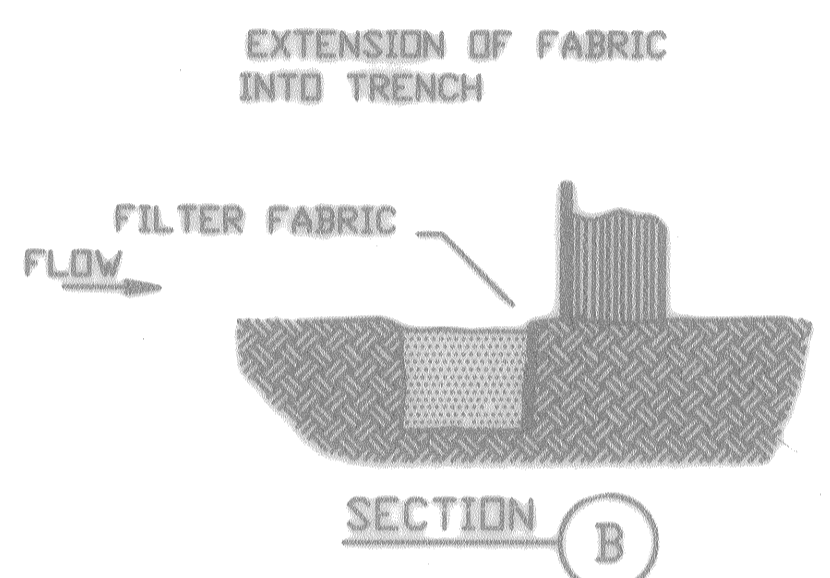
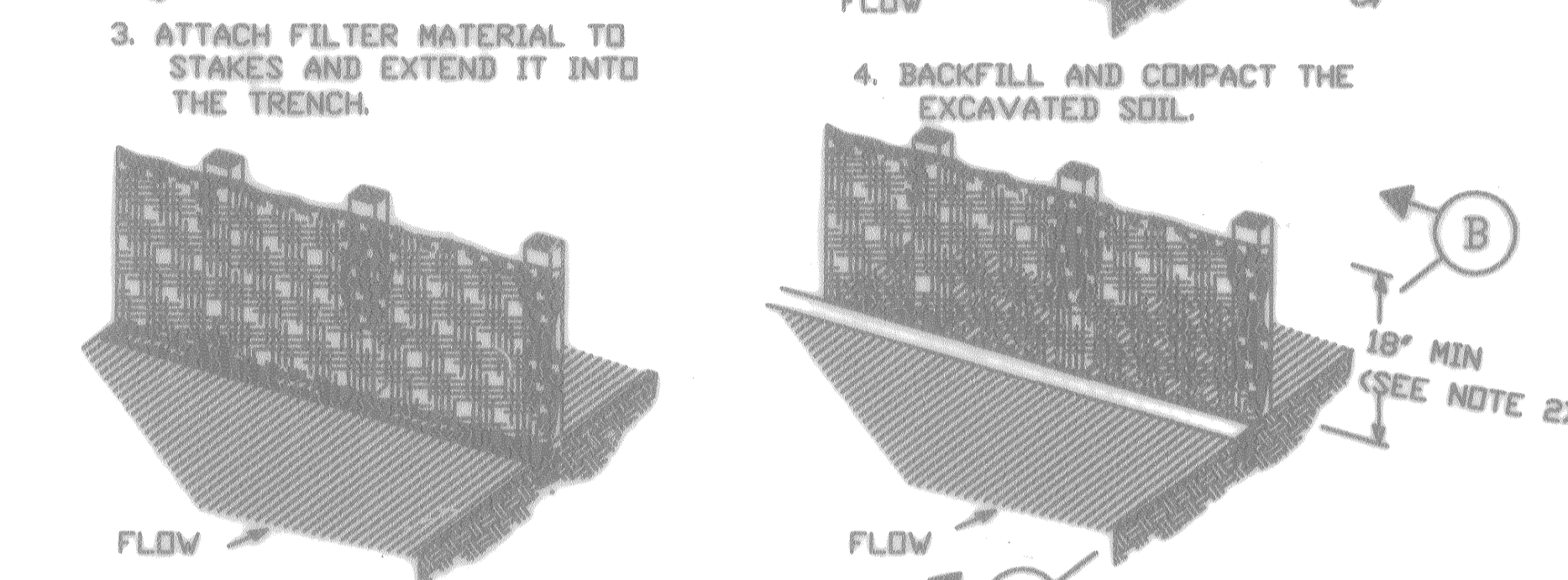
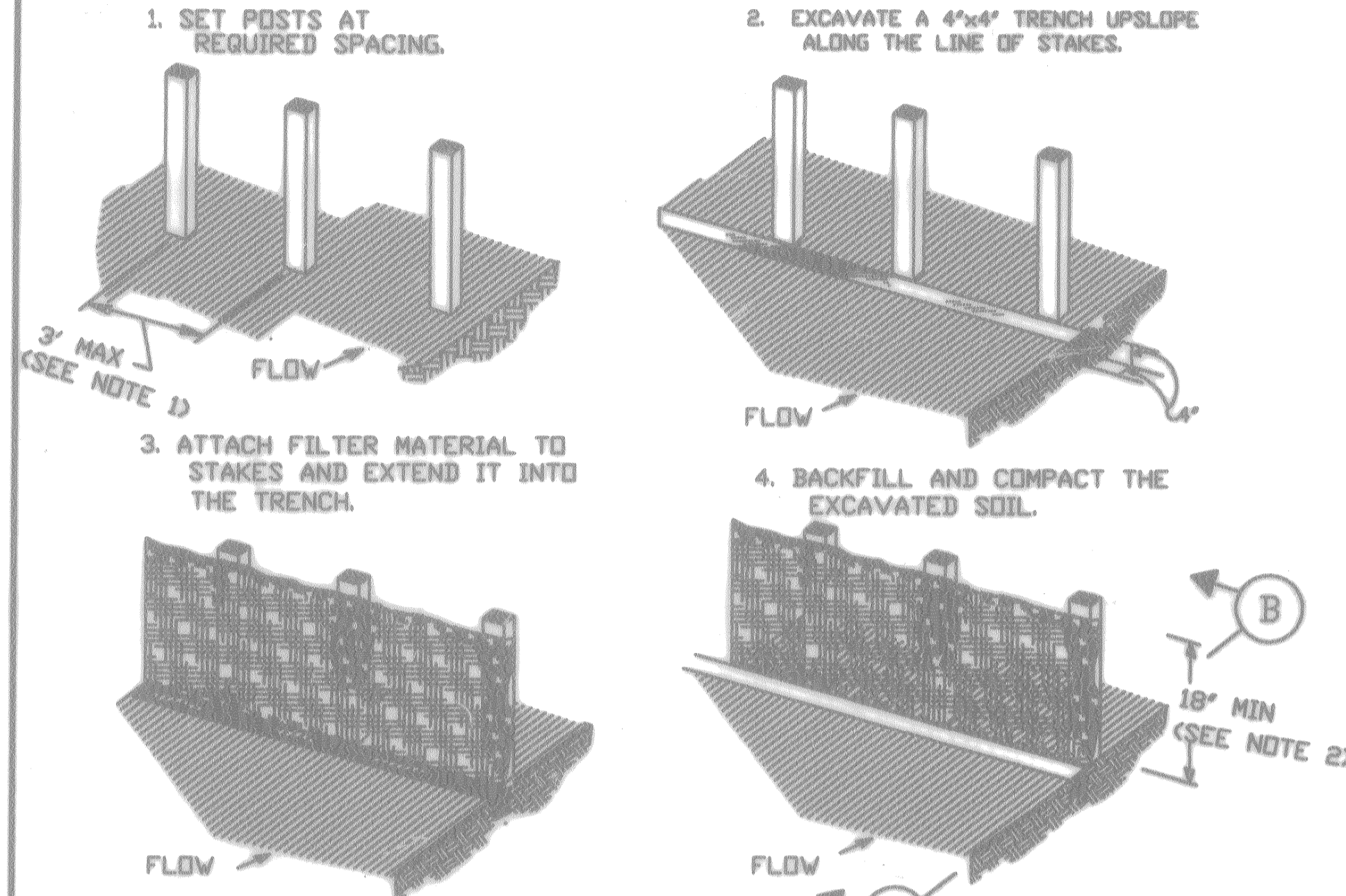
POINTS A SHOULD BE HIGHER THAN POINT B, OR AT TOP OF BANK (TYP)



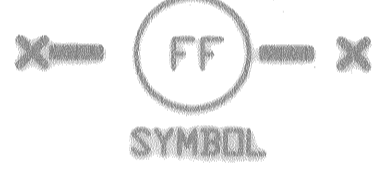
- CONSTRUCTION NOTES:**
1. SET 2 INCH BY 2 INCH WOODEN STAKES SPACED A MAX OF 6 FEET APART AND EMBEDDED A MIN OF 12 INCHES.
 2. WOVEN WIRE FENCE TO BE FASTENED SECURELY TO FENCE POSTS WITH STAPLES.
 3. FILTER CLOTH TO BE FASTENED SECURELY TO WOVEN WIRE FENCE, WITH TIES SPACED EVERY 24 INCHES AT TOP AND MIDSECTION.
 4. MINIMUM HEIGHT OF FILTER SHOULD BE 18 INCHES AND A MAXIMUM OF 36 INCHES ABOVE NATURAL GROUND.
 5. WHEN TWO SECTIONS OF FILTER CLOTH ADJOIN EACH OTHER THEY SHALL BE OVERLAPPED 6 INCHES AT THE POSTS, AND FOLDED.
 6. SEE SECTION 01568 - REINFORCED FILTER FABRIC BARRIER.



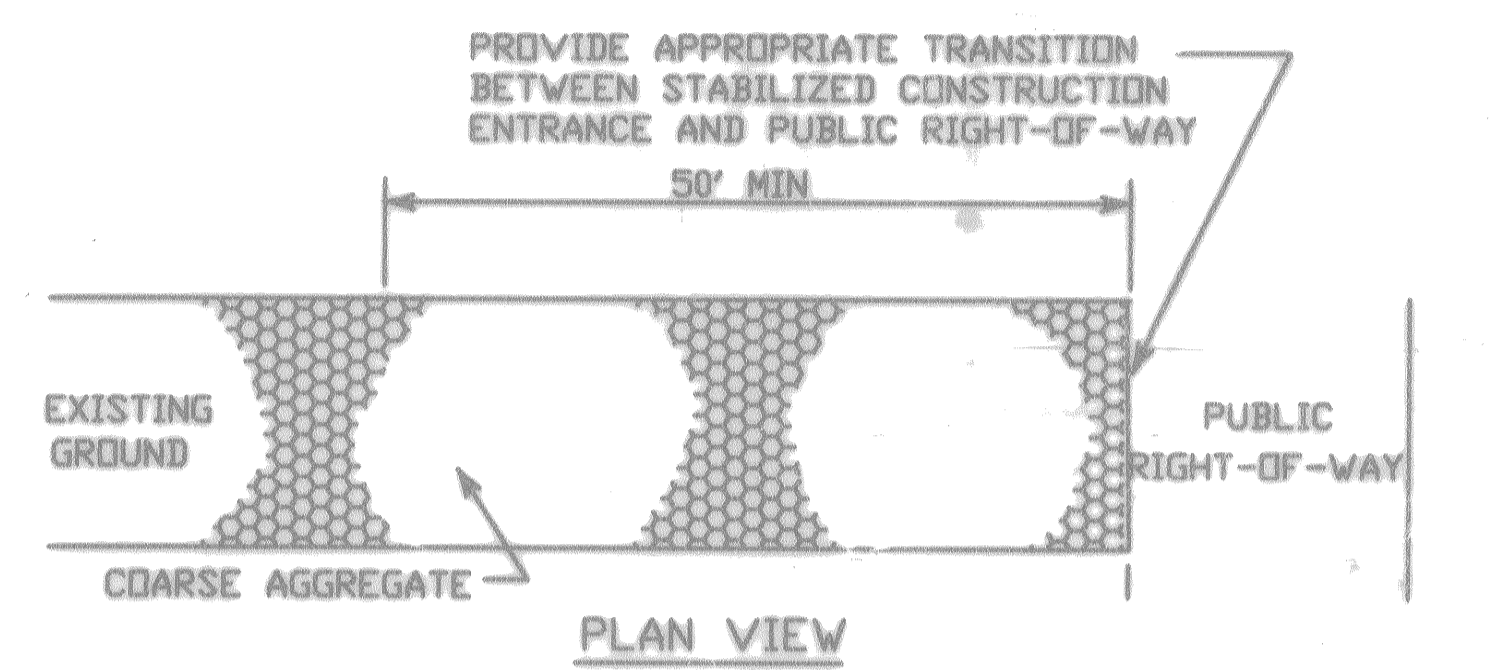
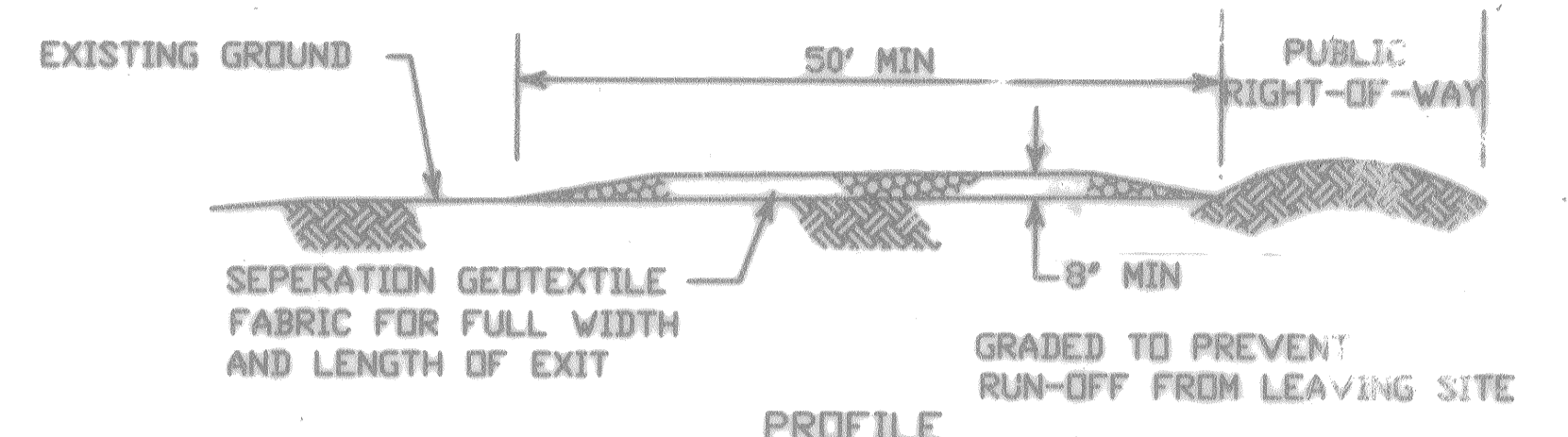
REINFORCED FILTER FABRIC BARRIER



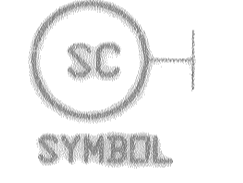
- CONSTRUCTION NOTES:**
1. 2 INCH THICK BY 2 INCH WOODEN STAKES TO BE SET AT MAX SPACING OF 3 FEET AND EMBEDDED A MIN OF 8 INCHES. IF PREASSEMBLED FENCE WITH SUPPORT NETTING IS USED, SPACING OF POST MAY BE INCREASED TO 6 FEET MAX.
 2. ATTACH FILTER FABRIC TO WOODEN STAKES. FILTER FABRIC FENCE SHALL HAVE A MIN HEIGHT OF 8 INCHES AND MAX HEIGHT OF 36 INCHES ABOVE NATURAL GROUND.
 3. WHEN TWO SECTIONS OF FILTER CLOTH ADJOIN EACH OTHER THEY SHOULD BE OVERLAPPED 6 INCHES AT THE POSTS, AND FOLDED.
 4. SEE SECTION 01567 - FILTER FABRIC FENCE.



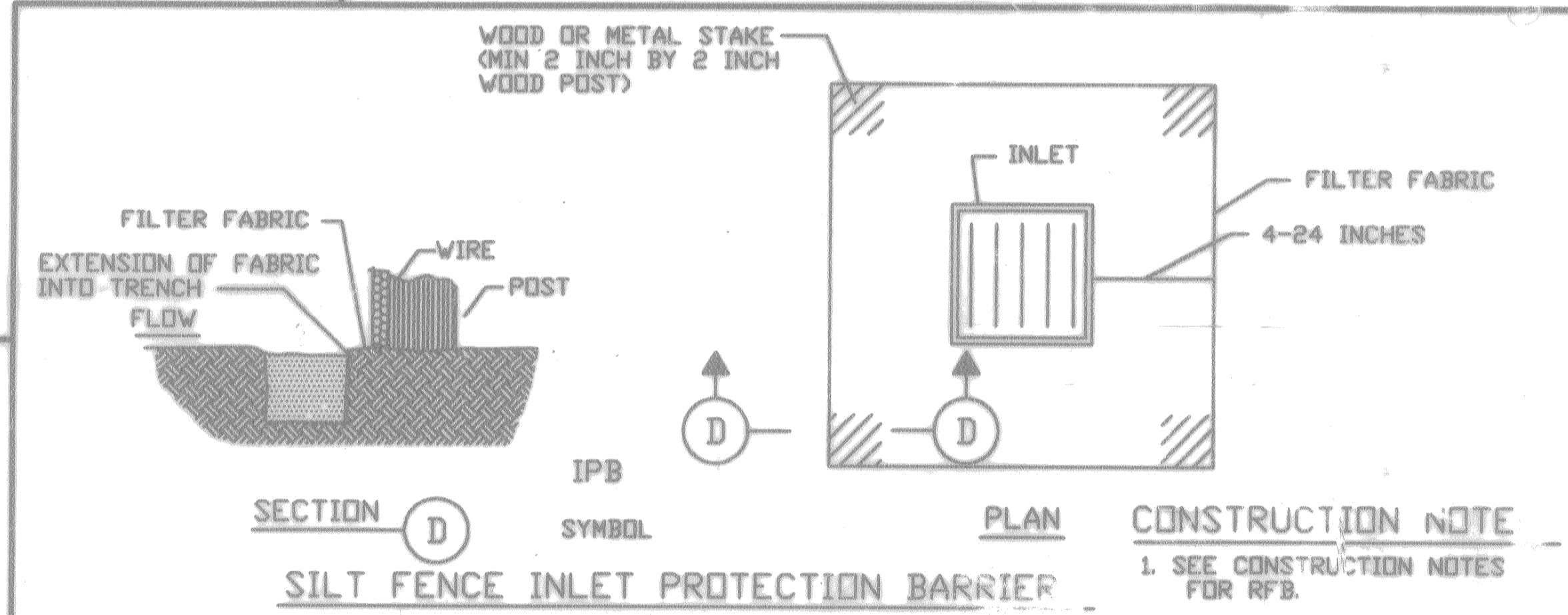
FILTER FABRIC FENCE



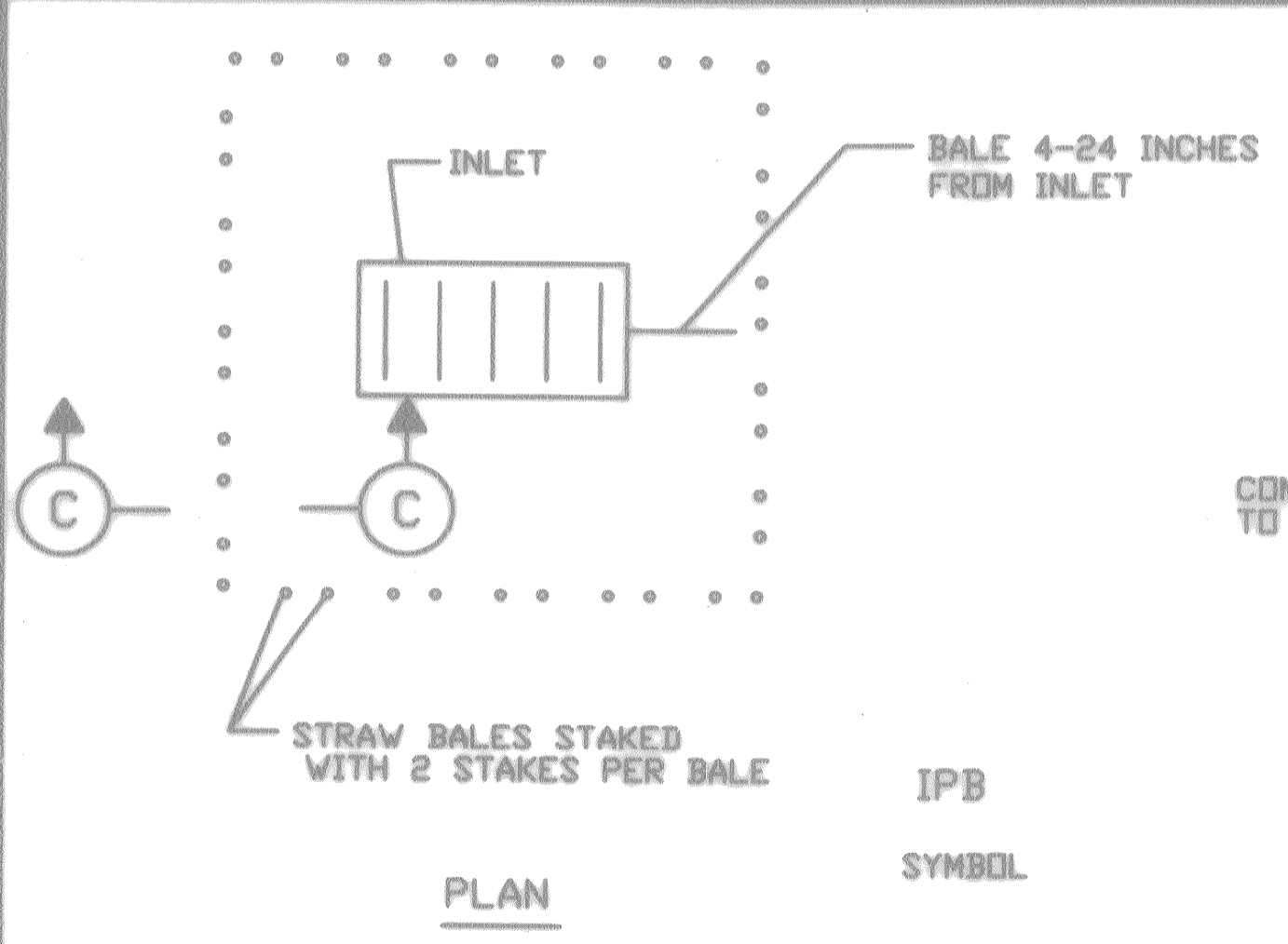
- CONSTRUCTION NOTES:**
1. LENGTH SHALL BE AS SHOWN ON THE CONSTRUCTION DRAWINGS, BUT NOT LESS THAN 50 FEET.
 2. THICKNESS SHALL BE NOT LESS THAN 8 INCHES.
 3. WIDTH SHALL BE NOT LESS THAN FULL WIDTH OF ALL POINTS OF INGRESS OR EGRESS.
 4. STABILIZATION FOR OTHER AREAS SHALL HAVE THE SAME AGGREGATE THICKNESS AND WIDTH REQUIREMENTS AS THE STABILIZED CONSTRUCTION EXIT, UNLESS OTHERWISE SHOWN ON THE CONSTRUCTION DRAWINGS.
 5. STABILIZED AREA MAY BE WIDENED OR LENGTHENED TO ACCOMMODATE A TRUCK WASHING AREA. AN OUTLET SEDIMENT TRAP MUST BE PROVIDED FOR THE TRUCK WASHING AREA.
 6. SEE SECTION 01569 - STABILIZED CONSTRUCTION EXIT.
 7. STABILIZED CONSTRUCTION EXIT SHALL BE MAINTAINED FREE OF SEDIMENT FOR THE DURATION OF THE PROJECT.



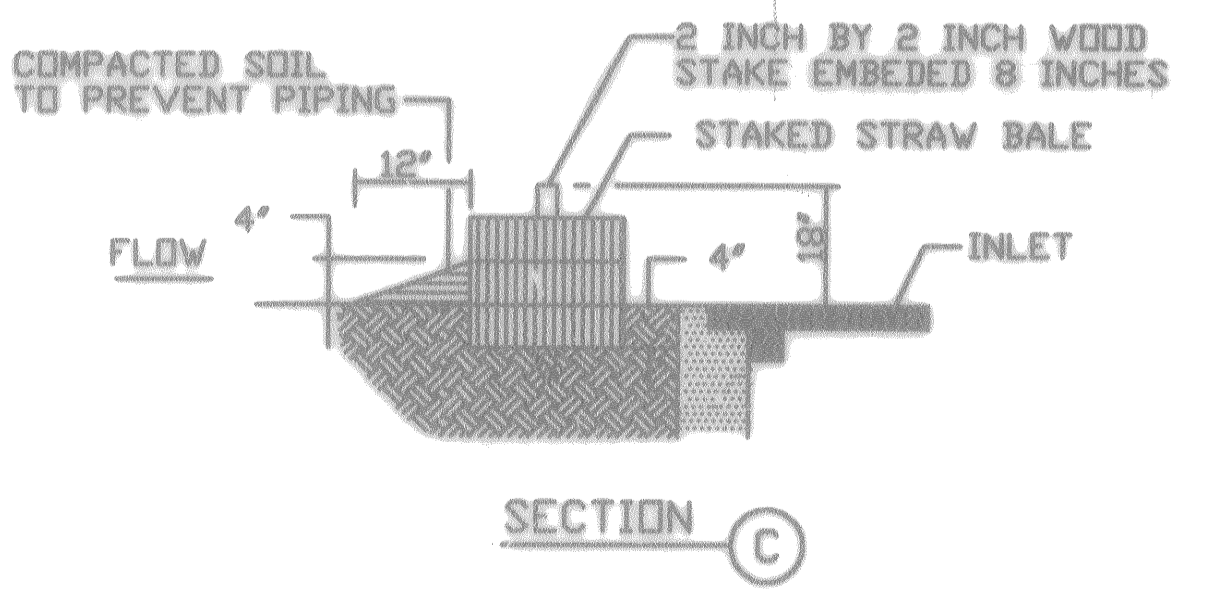
STABILIZED CONSTRUCTION EXIT



SILT FENCE INLET PROTECTION BARRIER



STRAW BALE DROP INLET PROTECTION BARRIER



CITY OF HOUSTON DEPARTMENT OF PUBLIC WORKS AND ENGINEERING ENGINEERING, CONSTRUCTION AND REAL ESTATE GROUP	
STORM WATER POLLUTION PREVENTION PLAN DETAILS (NOT TO SCALE) 14 OF 14	
APPROVED BY: <i>[Signature]</i> CITY ENGINEER	APPROVED BY: <i>[Signature]</i> DIRECTOR OF PUBLIC WORKS AND ENGINEERING
EFF DATE: OCT-20-95	DWG NO: 01565-01C