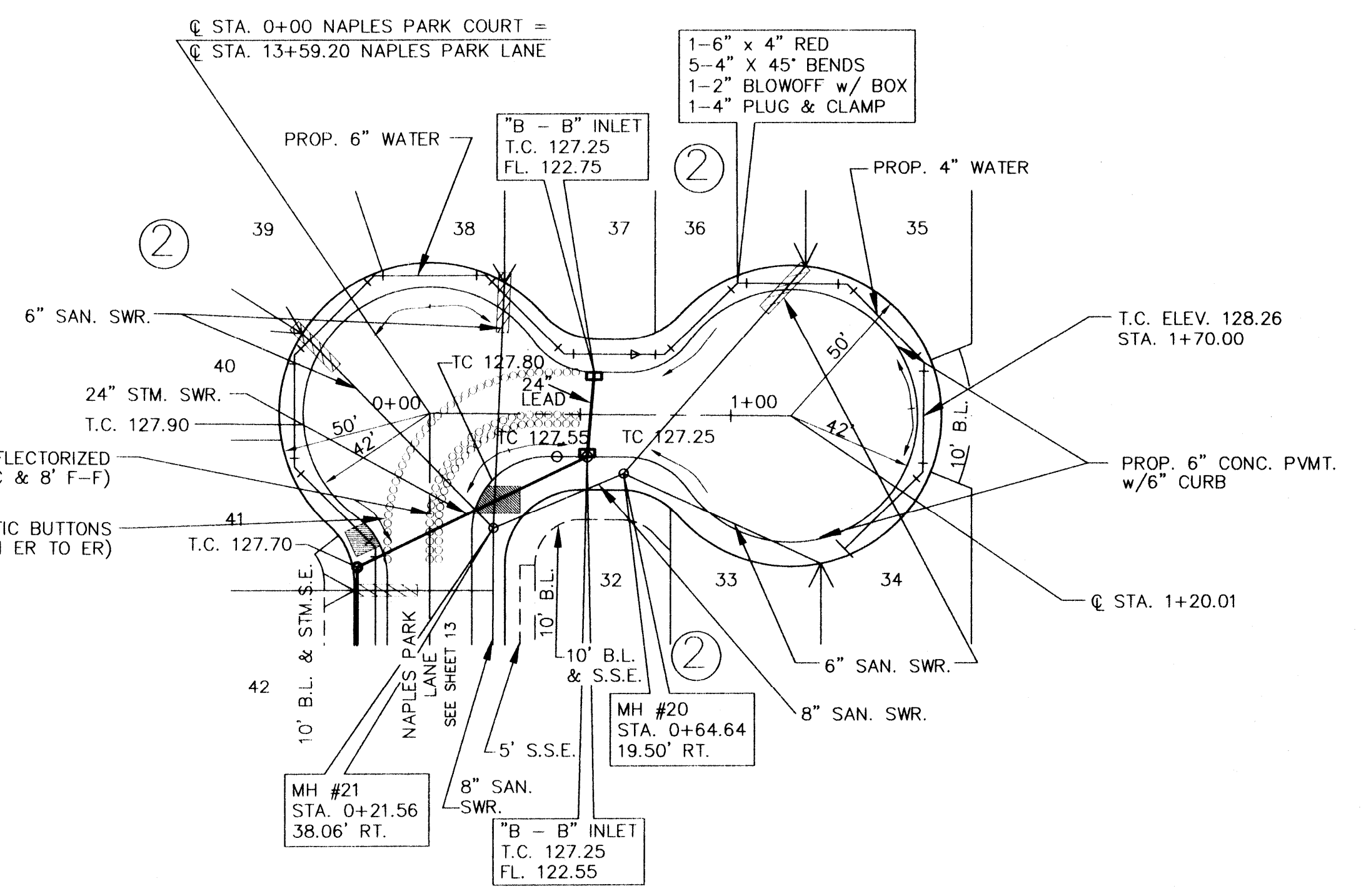
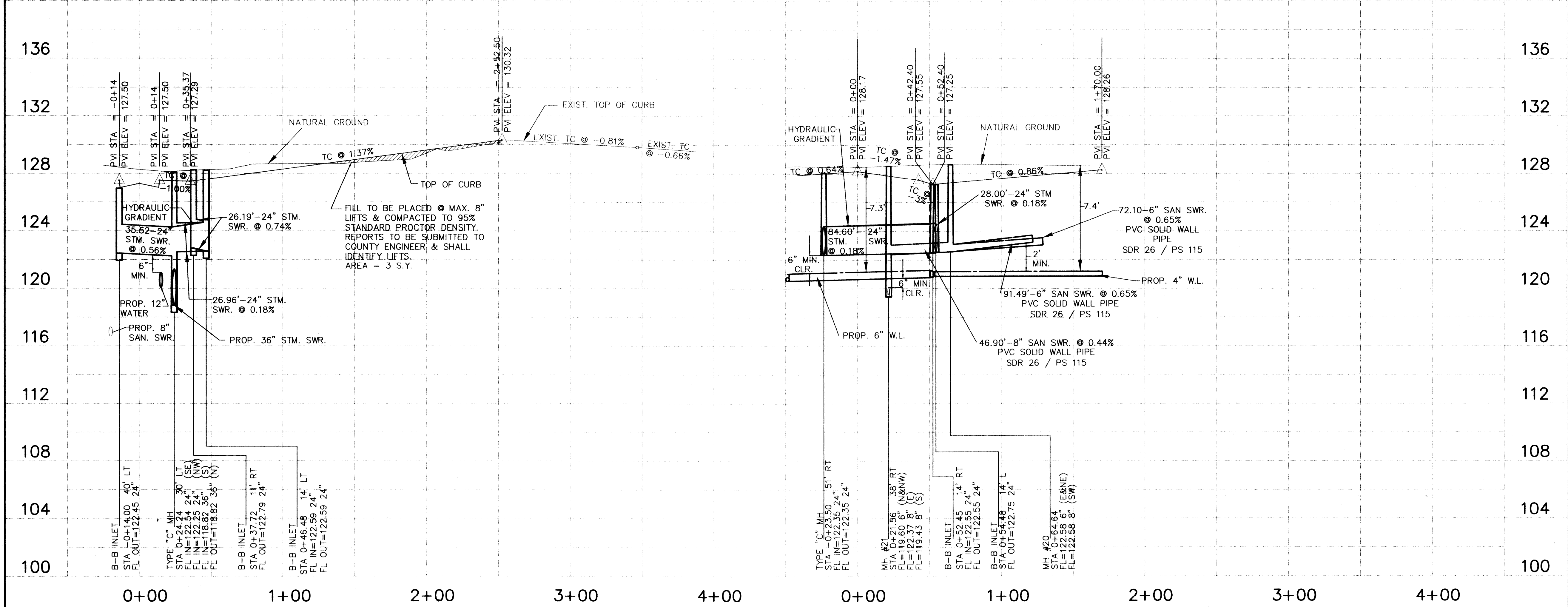


FERNBROOK LANE



NAPLES PARK COURT

AT ALL SAN. SWR. / WATERLINE CROSSINGS IDENTIFIED WITH: A 20-FT JOINT OF SANITARY SEWER (C-900 PVC PIPE) SHALL BE CENTERED AT WATERLINE.



BENCHMARK:
RM192 Bronze disk set in top of concrete post, approx. 8.7 miles Southeast on Missouri-Kansas-Texas Railroad from station at Lombard approx. 41 feet Northeast of Northeast rail, approx. 2 feet Northeast of fence, and approx level with rail. 1973 adjustment. Elev. 150.16

NO.	DATE	REVISIONS

CONSTRUCTION PLANS FOR
HARRIS COUNTY M.U.D. No. 10
PRESTONWOOD PARK SECTION 1
HARRIS COUNTY, TEXAS

PROPOSED
PAVING, DRAINAGE
AND UTILITIES

PRIVATE UTILITY LINES SHOWN

Cal Walcott 1/14/00 DATE
ENTEX, INC.
Mike Bolin 1/14/00 DATE
SOUTHWESTERN BELL TELEPHONE CO.
VALID FOR ONE YEAR ONLY
Cal Walcott 1/14/00 DATE
HOUSTON LIGHTING & POWER CO.
APPROVAL ONLY FOR CROSSING UNDERGROUND
DUCT LINES UNLESS NOTED. VALID AT TIME OF REVIEW ONLY

HARRIS COUNTY
PUBLIC INFRASTRUCTURE DEPARTMENT

APPROVED: *Cal Walcott*
for Assistant County Engineer
Date: 18 Jan 2000

Approval implied for paving and drainage facilities within Harris County, R.O.W. and/or jurisdiction. All other improvements in H.C.R.O.W. outside jurisdiction are approved as to location only.

The above authorization is valid for one (1) year only.

CITY OF HOUSTON
DEPARTMENT OF PUBLIC WORKS AND ENGINEERING

REVIEWED BY

PRIVATELY FUNDED PUBLIC WORKS	CITY FUNDED PUBLIC WORKS
<i>Cal Walcott</i> 1/14/00 DATE	PROJECT MANAGER
<i>Mike Bolin</i> 1/14/00 DATE	CONSTRUCTION
<i>Cal Walcott</i> 1/14/00 DATE	CHIEF ENGINEER

OTHER APPROVAL

TRAFFIC AND TRANSPORTATION	SPONSOR DEPARTMENT
----------------------------	--------------------

CITY ENGINEER
John Thomas 1-11-2000 DATE
DIRECTOR OF PUBLIC WORKS AND ENGINEERING

SUBMITTED: SCALE: HORIZ. 1" = 40'
VERT. 1" = 4'
DATE: DECEMBER, 1999
SURVEY BY: JOHN THOMAS
F B NO. DESIGNED BY: S.A.J.
DRAWN BY: T.B.M.
SHEET NO. 11 OF 26 SHEETS
CITY DWG NO.:

SEAL
Salim A. Jorjani
REGISTERED PROFESSIONAL ENGINEER
NO. 35588
12/30/99

PEPE ENGINEERING
9950 CYPRESSWOOD, SUITE 500
HOUSTON, TEXAS 77070-5417
TELEPHONE: (281) 987-0500
pepe@pepe-engineering.com

CADD DWG. FILE: 115_851 JOB NO.: 9815
ORIGINAL SCALE IN INCHES FOR REDUCED PLANS