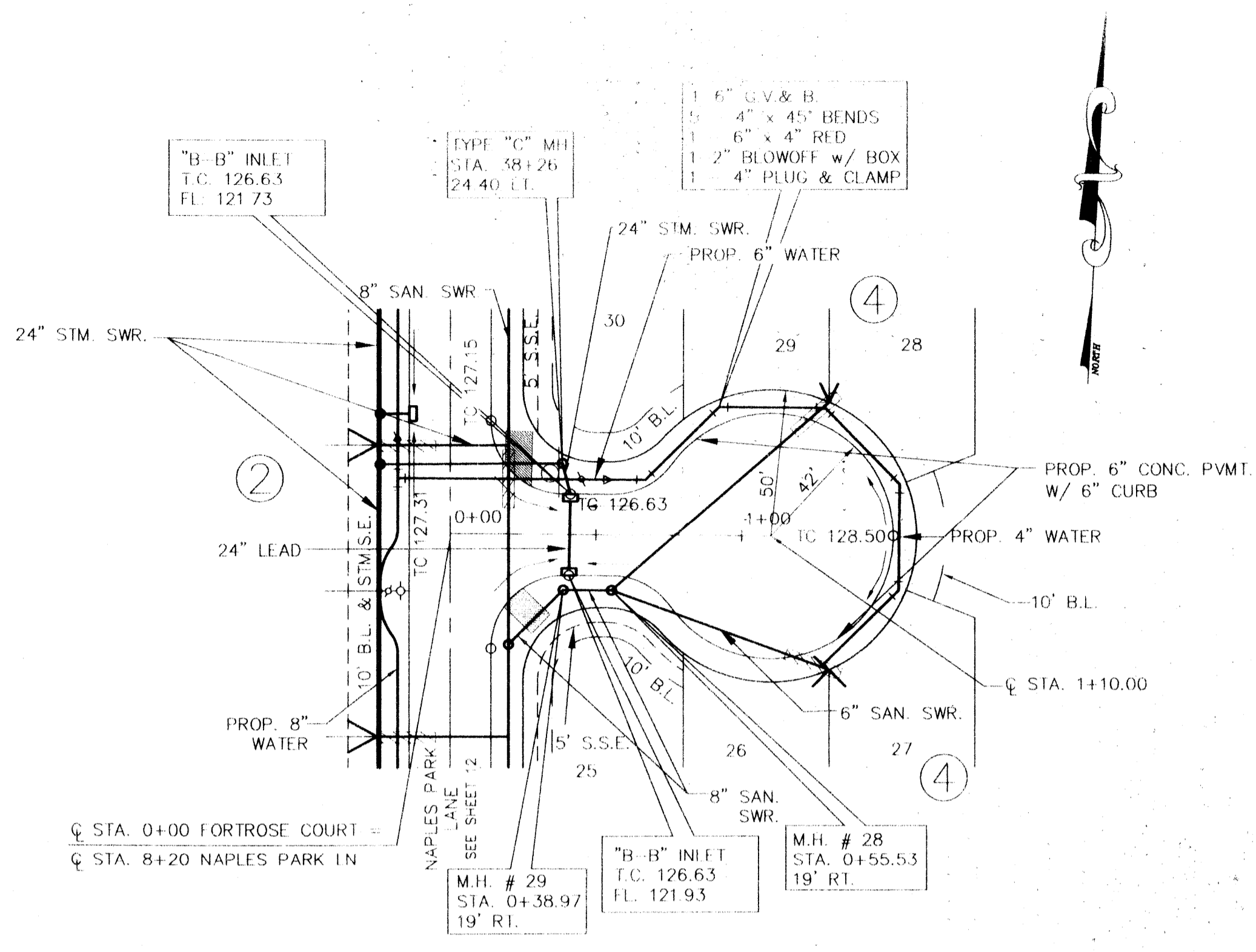
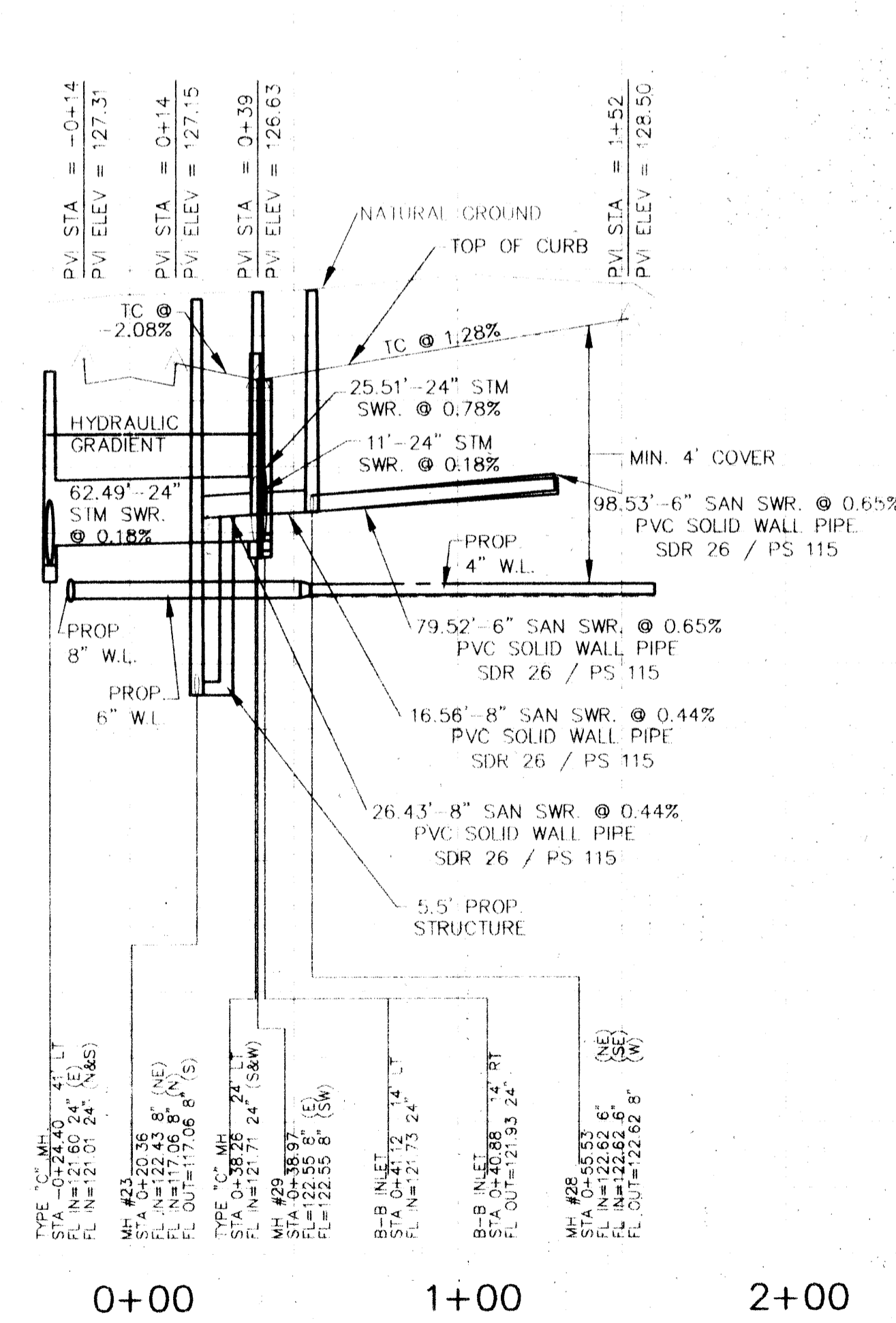
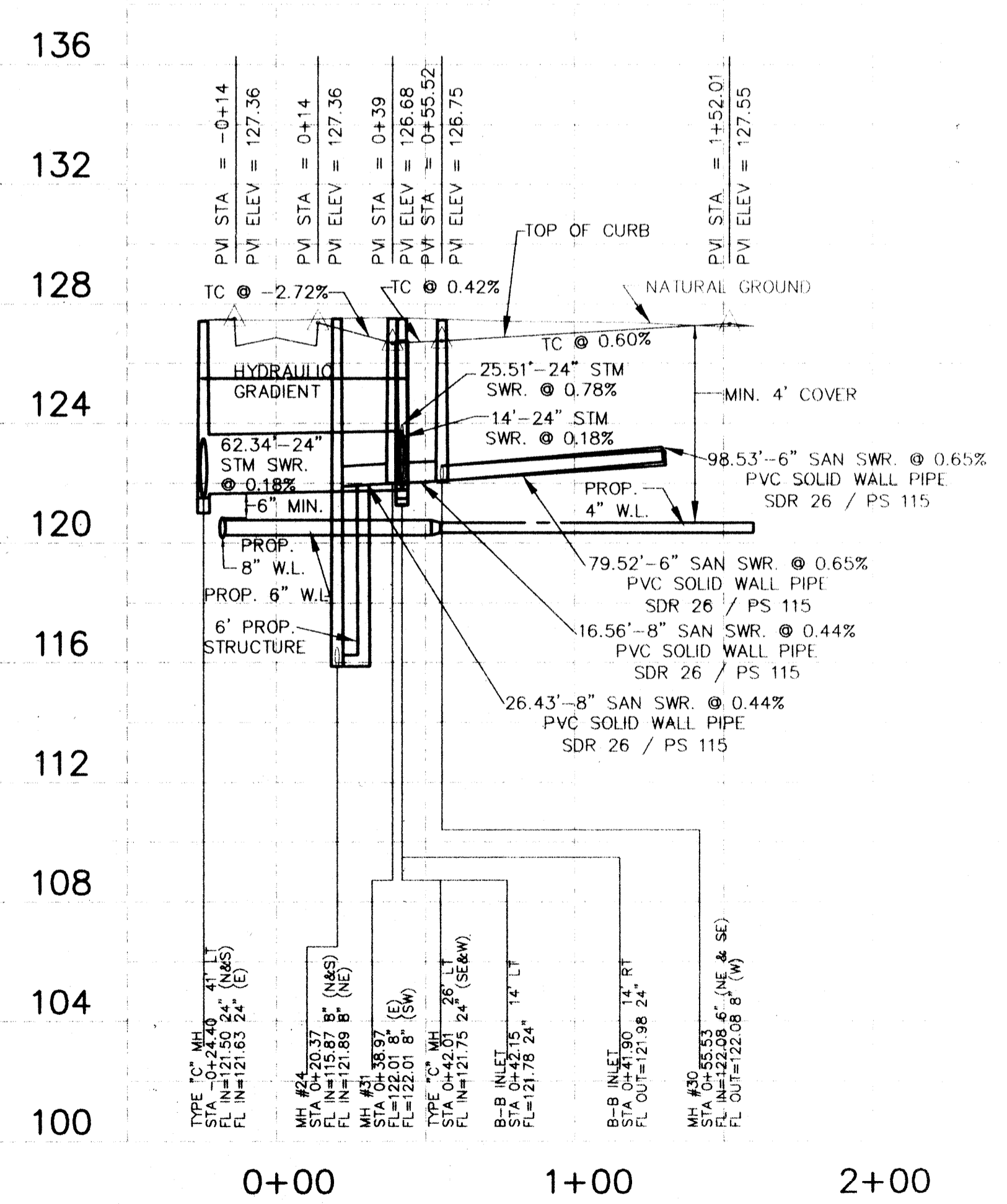


**TYNELAND COURT**



**FORTROSE COURT**

AT ALL SAN. SWR. / WATERLINE CROSSINGS IDENTIFIED WITH A 20'-FT JOINT OF SANITARY SEWER (C-900 PVC PIPE) SHALL BE CENTERED AT WATERLINE.



CONTRACT NO. 1001000000000000  
 PROJECT NO. 1001000000000000  
**PRESTONWOOD PARK SECTION 1**  
 HARRIS COUNTY, TEXAS  
 PREPARED BY  
**PAVING, DRAINAGE AND UTILITIES**  
 14100  
 14100  
**HARRIS COUNTY**  
 CITY OF HOUSTON  
 APPROVED BY  
 14100  
 14100  
**PEPE**