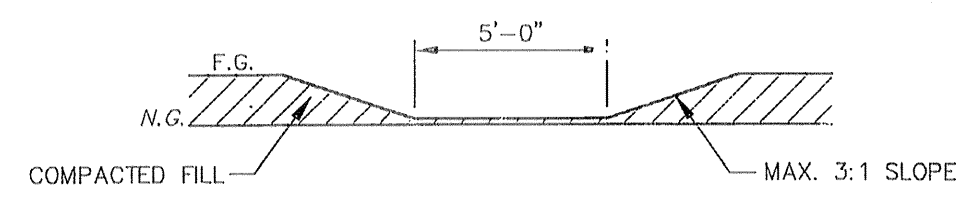
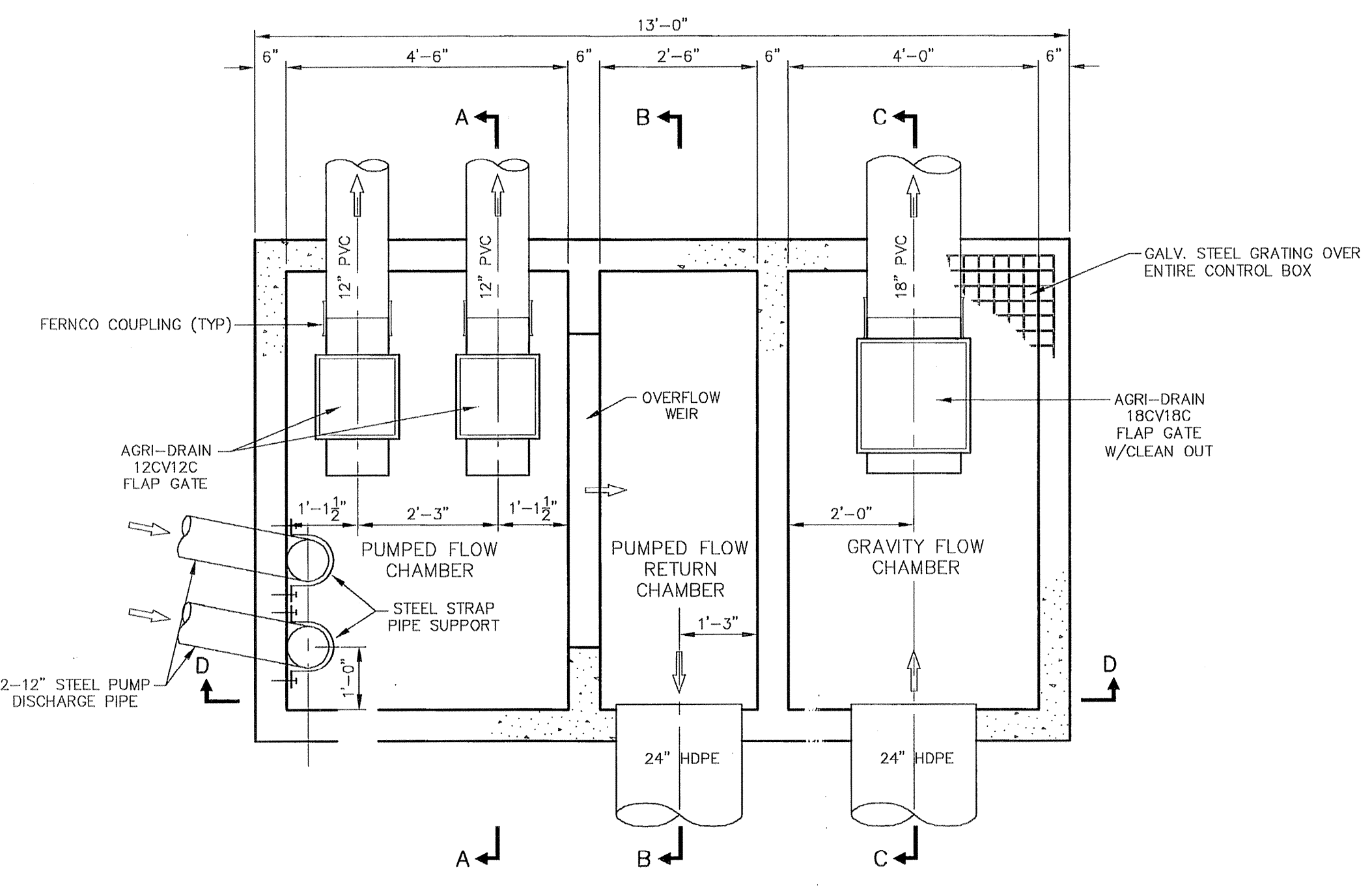


NOTE:
 SIZE AND GRADE OF PROPOSED
 STORM SEWER WITHIN SCHROEDER
 ROAD TO BE CONFIRMED BY
 H.C. PRECINCT 4

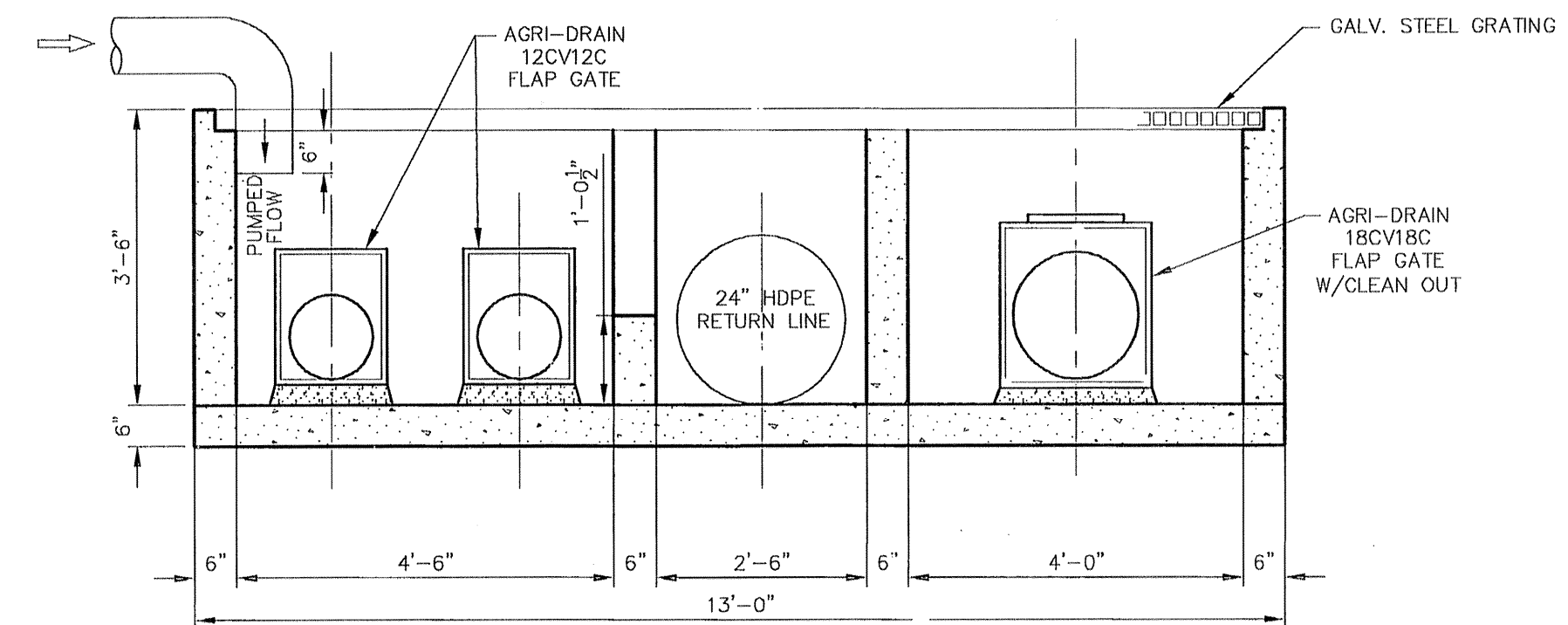
DETENTION OUTFALL
 1" = 10'



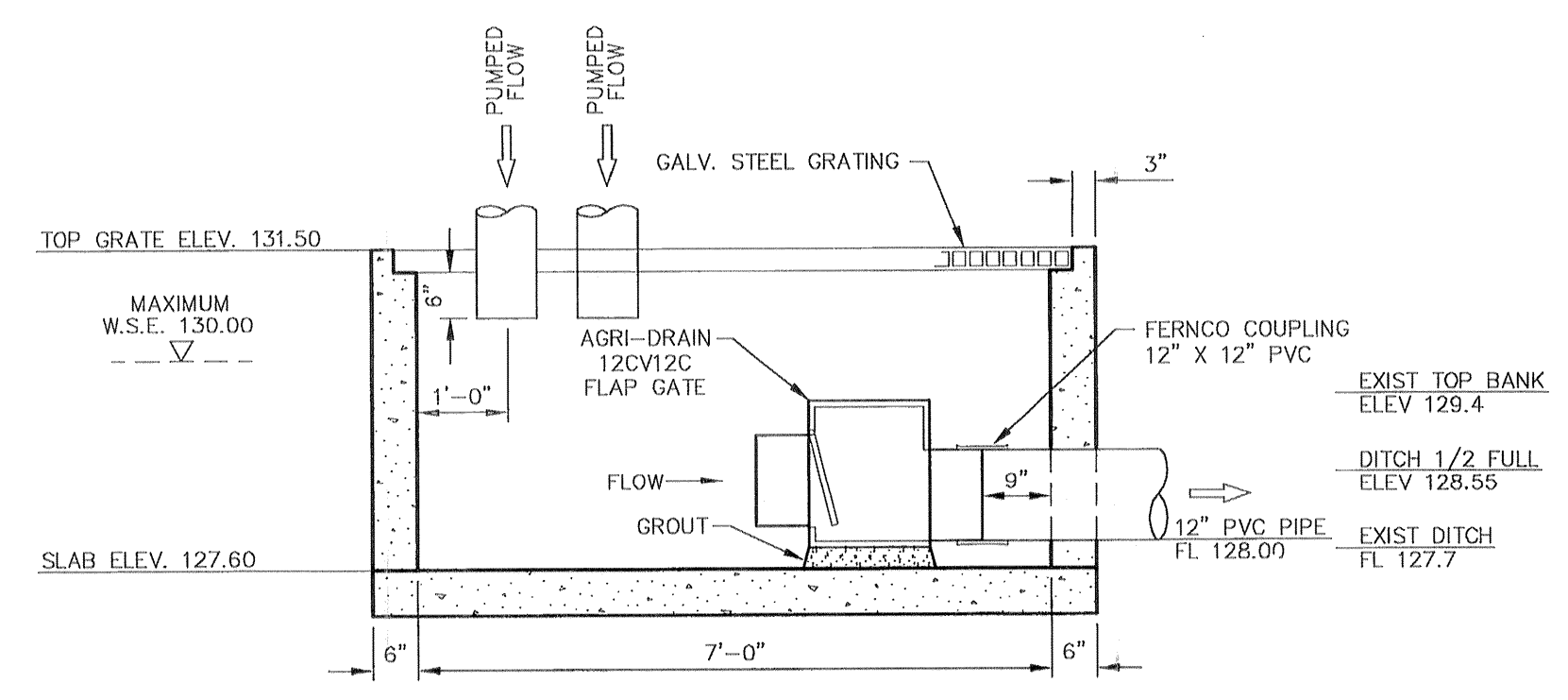
SECTION E-E
 OVERFLOW SWALE
 1" = 5'



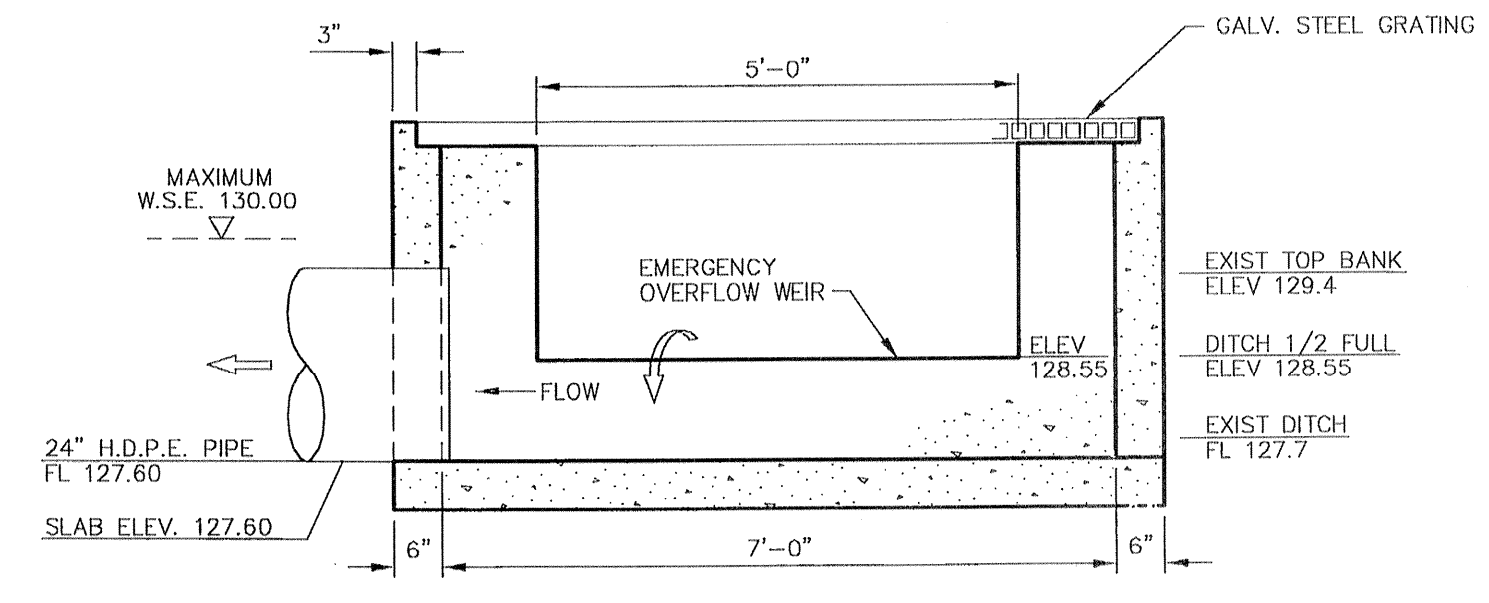
CONTROL BOX
 PLAN VIEW
 1" = 2'



SECTION D-D
 1" = 2'

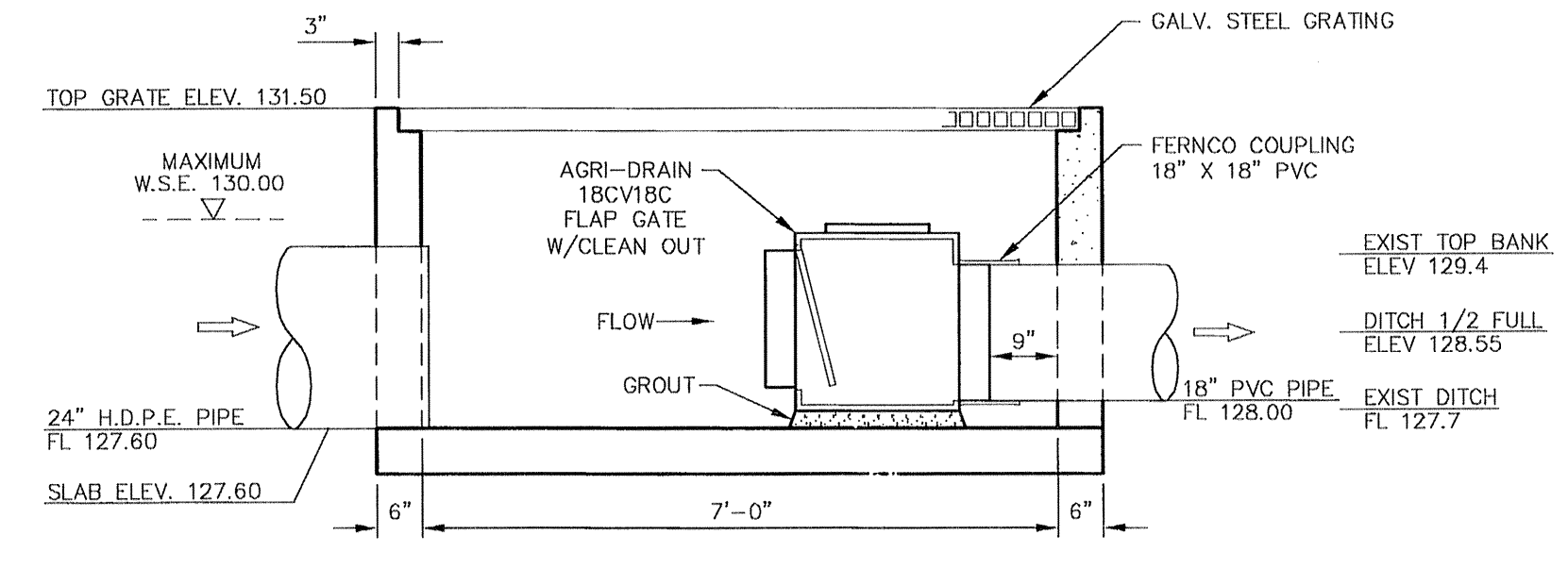


SECTION A-A
 PUMPED FLOW CHAMBER
 1" = 2'



SECTION B-B
 PUMPED FLOW RETURN CHAMBER
 1" = 2'

DEPTH OF FLOW OVER WEIR:
 FOR Q = 1.0 CFS; D = 0.2 FT
 FOR Q = 3.15 CFS; D = 0.4 FT



SECTION C-C
 GRAVITY FLOW CHAMBER
 1" = 2'

BENCH MARK

BENCHMARK: NATIONAL GEODETIC SURVEY MARKER
Y1216, 1973 ADJ., ELEV = 125.994
Y1216, 1978 ADJ., ELEV = 125.406
Y1216, 1988 ADJ., ELEV = 123.94
ELEVATIONS ARE BASED ON 1973 ADJUSTMENT

FLOOD PLAIN STATEMENT:
 No portion of this tract lies within a "100 year flood hazard area" as designated on The National Flood Insurance Program - Flood Insurance Rate Map issued by the Federal Emergency Management Agency under Community Panel Number 480287 0435 J for Harris County, Texas dated November 6, 1996.

PROVIDENT CONSULTING, INC.
 1405 ALLSTON ST.
 HOUSTON, TEXAS 77008
 (713)802-1019

BOBBY K. WILSON
 REGISTERED PROFESSIONAL ENGINEER
 09-01-05

PCI
 PROVIDENT CONSULTING, INC.

PRIVATE UTILITY LINES SHOWN

CENTERPOINT ENERGY, ENTEX

SBC VALID FOR ONE YEAR
 APPROVED ONLY FOR UNDERGROUND CONDUIT FACILITIES

CENTERPOINT ENERGY
 APPROVED ONLY FOR CROSSING UNDERGROUND DUCTILES
 UNLESS NOTED VALID AT TIME OF REVIEW ONLY

VILLAS AT WILLOWBROOK
 IN
 HARRIS COUNTY MUD 191
 HARRIS COUNTY, TEXAS

DETENTION OUTFALL
 AND
 CONTROL BOX

WATER	WASTEWATER	TRAFFIC
ST. & BRIDGE	STORAGE	SWQ

FILE NO:

DRAWING SCALE:
 AS SHOWN

VERT: HORZ:

SHEET No: 14 OF 24

40820