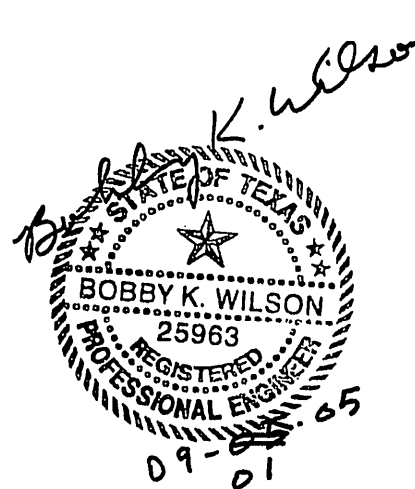
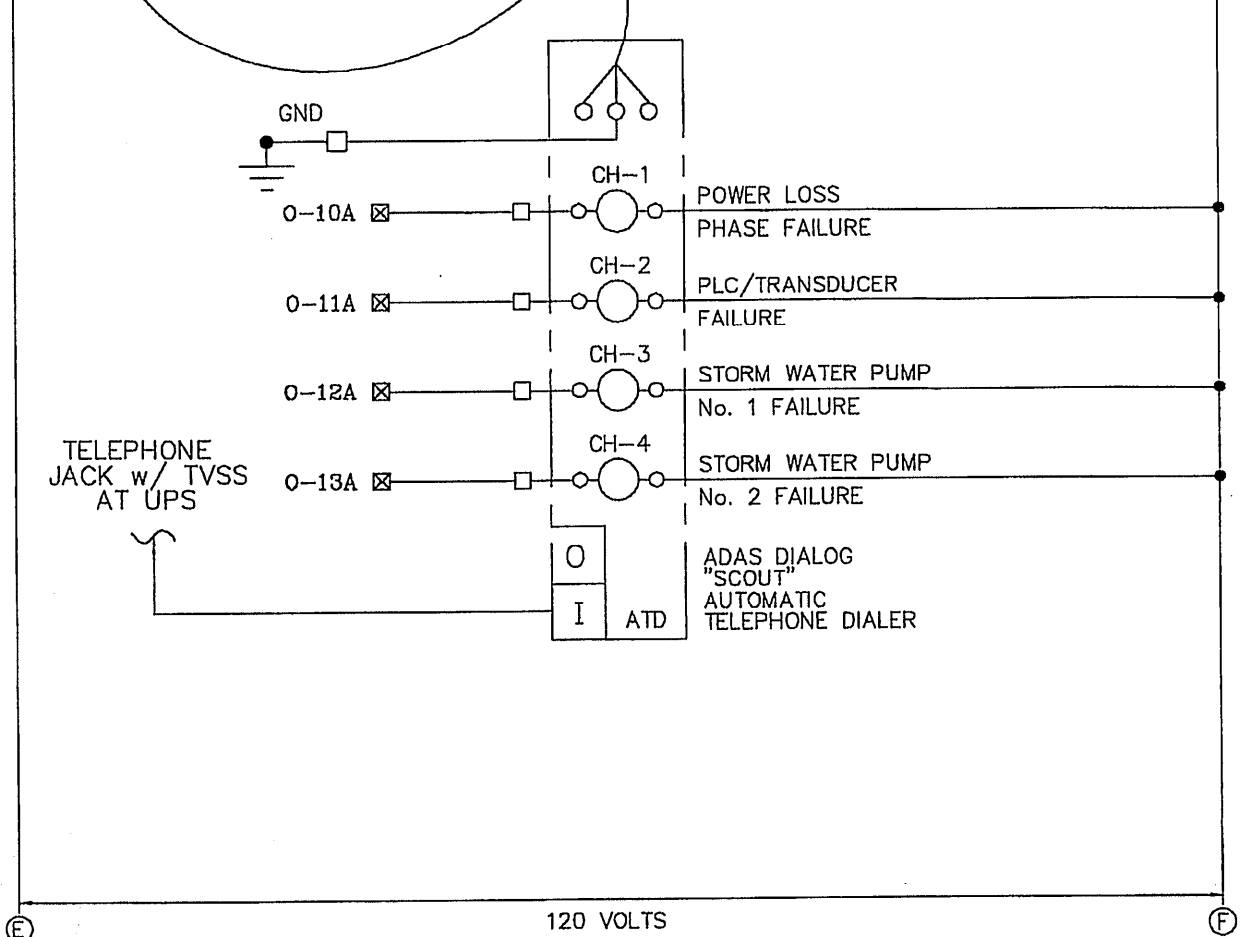
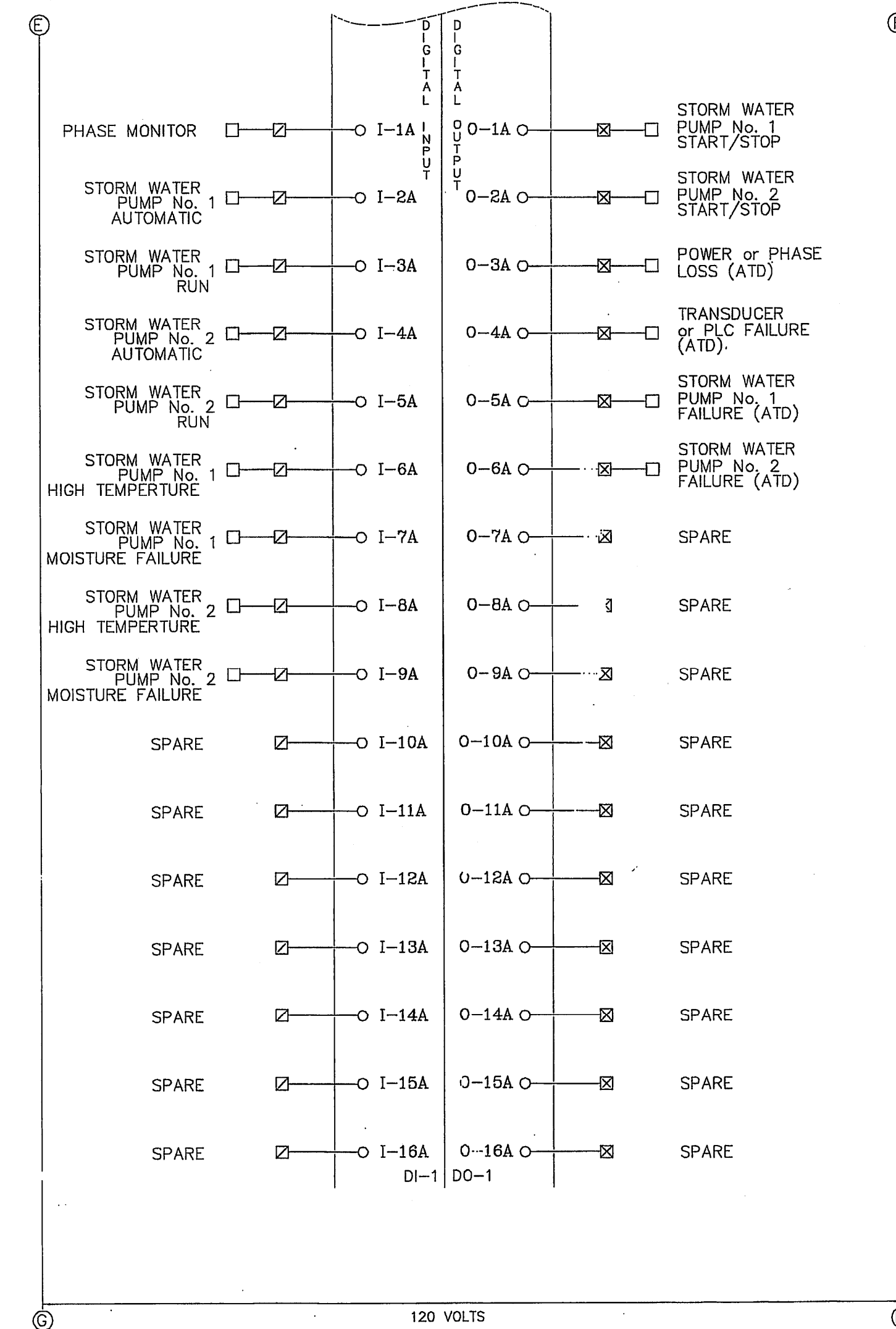
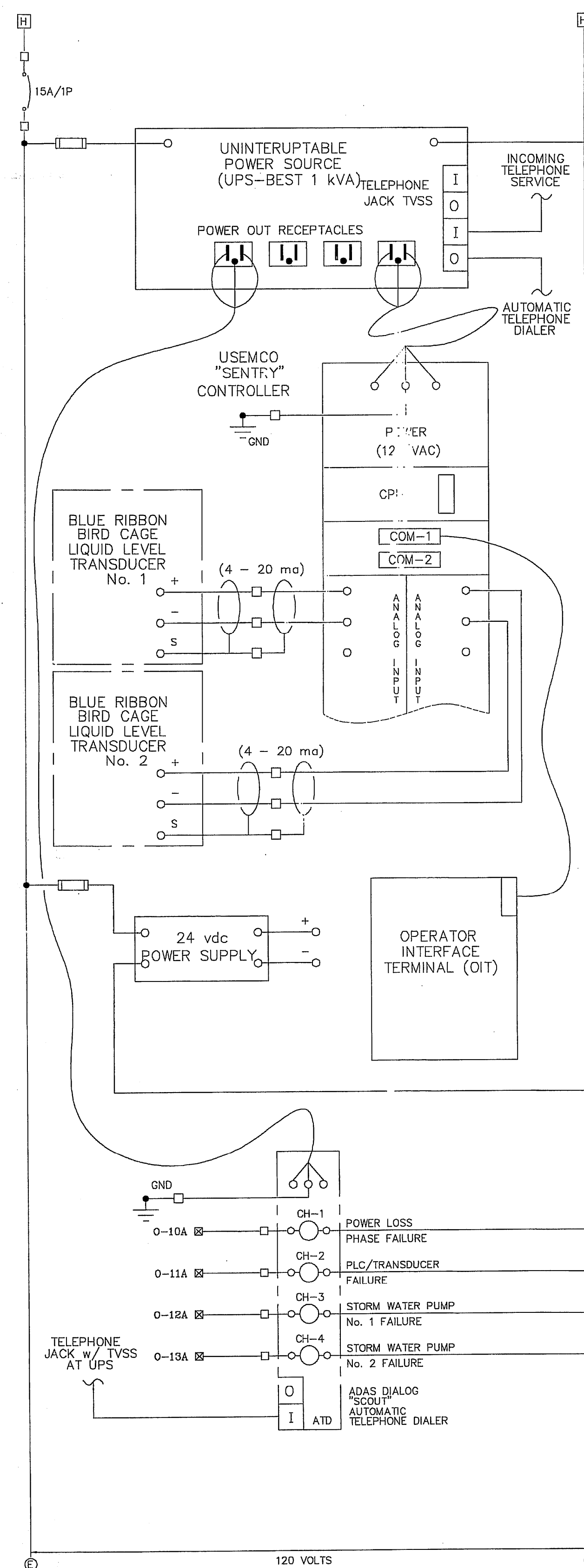
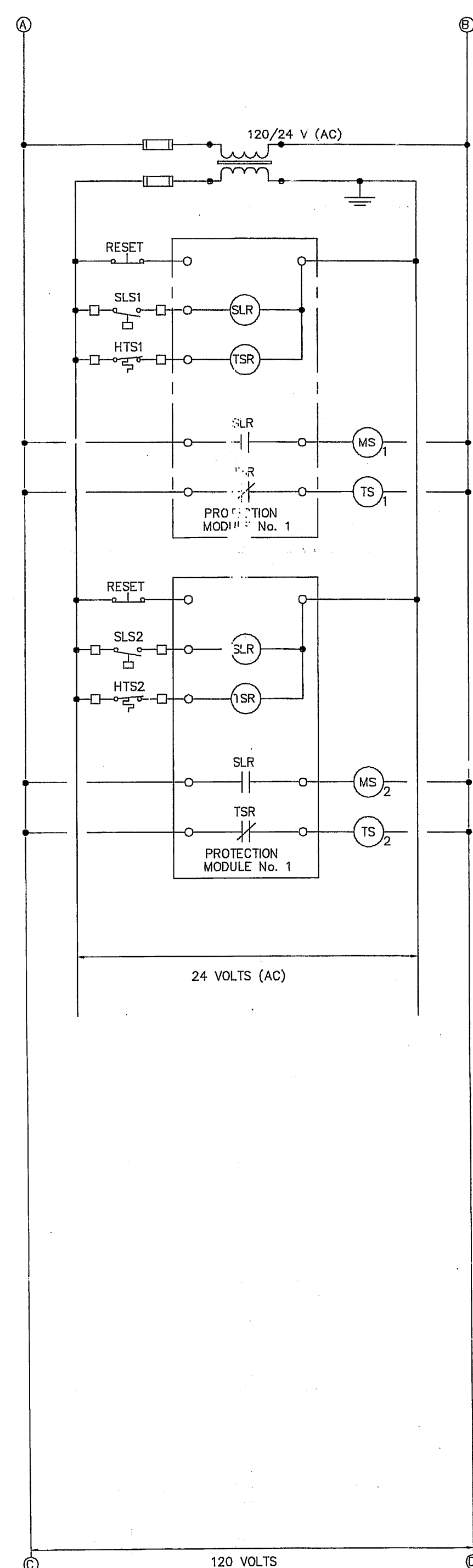
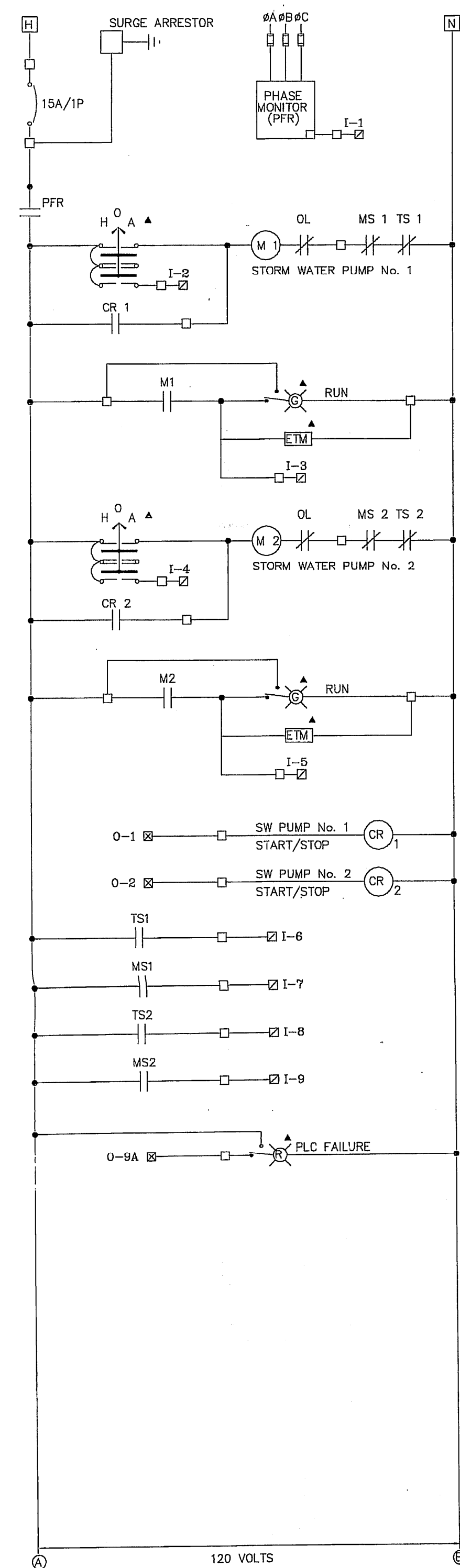
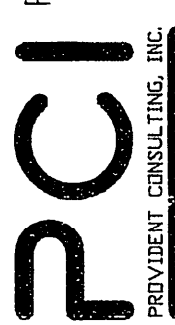


BENCHMARK: NATIONAL GEODETIC SURVEY MARKER
 Y1216, 1973 ADJ., ELEV = 125.994
 Y1216, 1978 ADJ., ELEV = 125.406
 Y1216, 1988 ADJ., ELEV = 123.94
 ELEVATIONS ARE BASED ON 1973 ADJUSTMENT



PROVIDENT CONSULTING, INC.
 1405 ALLSTON ST.
 HOUSTON, TEXAS 77008
 (713)802-1019



PRIVATE UTILITY LINES SHOWN

CENTERPOINT ENERGY, ENTEX
 SBC VALID FOR ONE YEAR
 APPROVED ONLY FOR UNDERGROUND CONDUIT FACILITIES
 CENTERPOINT ENERGY
 APPROVED ONLY FOR CROSSING UNDERGROUND DUCTILES
 UNLESS NOTED VALID AT TIME OF REVIEW ONLY

VILLAS AT WILLOWBROOK
 in
 HARRIS COUNTY MUD 191
 HARRIS COUNTY, TEXAS
CONTROL SCHEMATICS

WATER	WASTEWATER	TRAFFIC
ST. & BRIDGE	STORMWATER	SWO

FILE NO:

DRAWING SCALE:
 AS SHOWN

VERT: HORZ:

SHEET No: 22 OF 24

