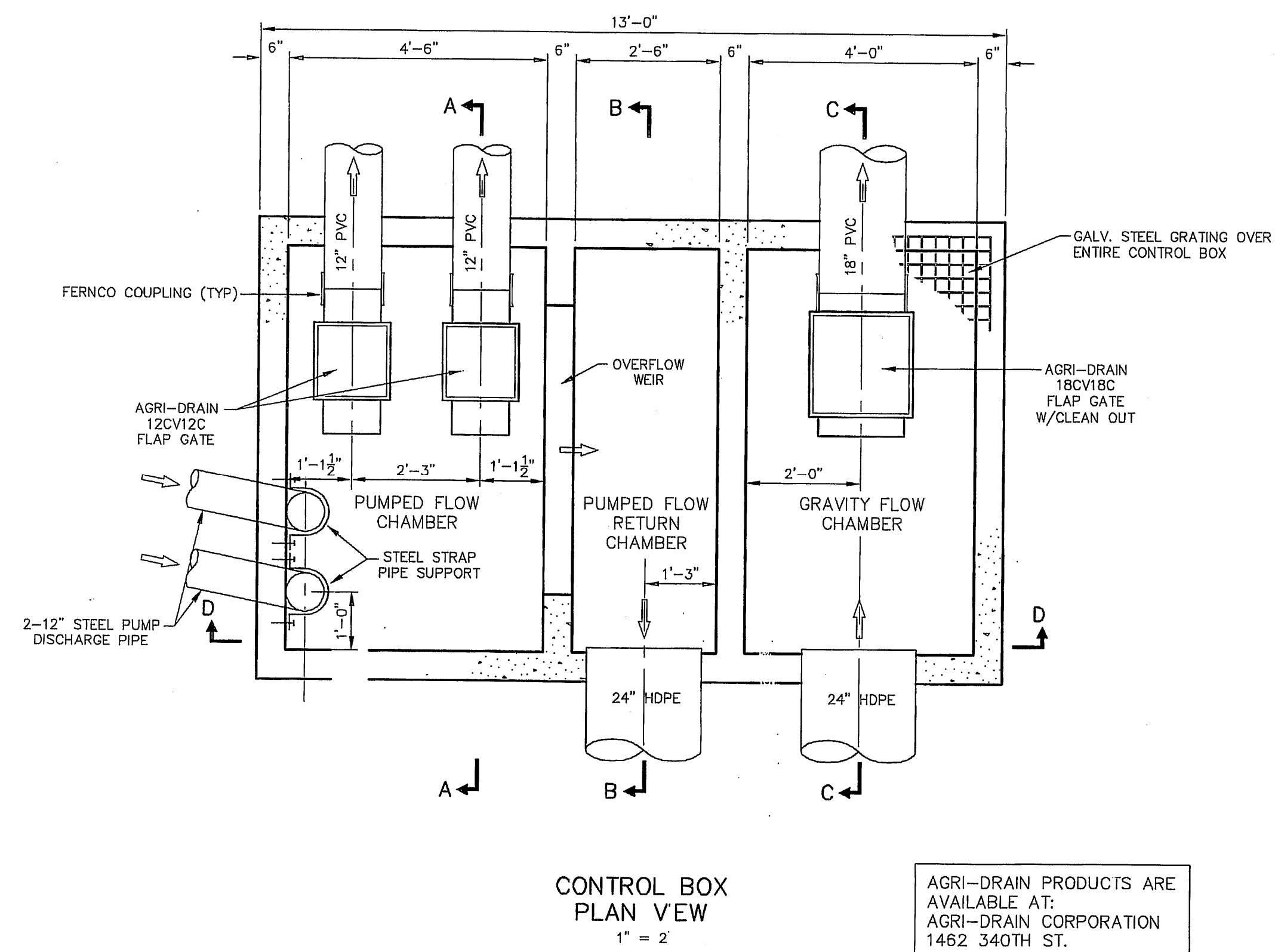
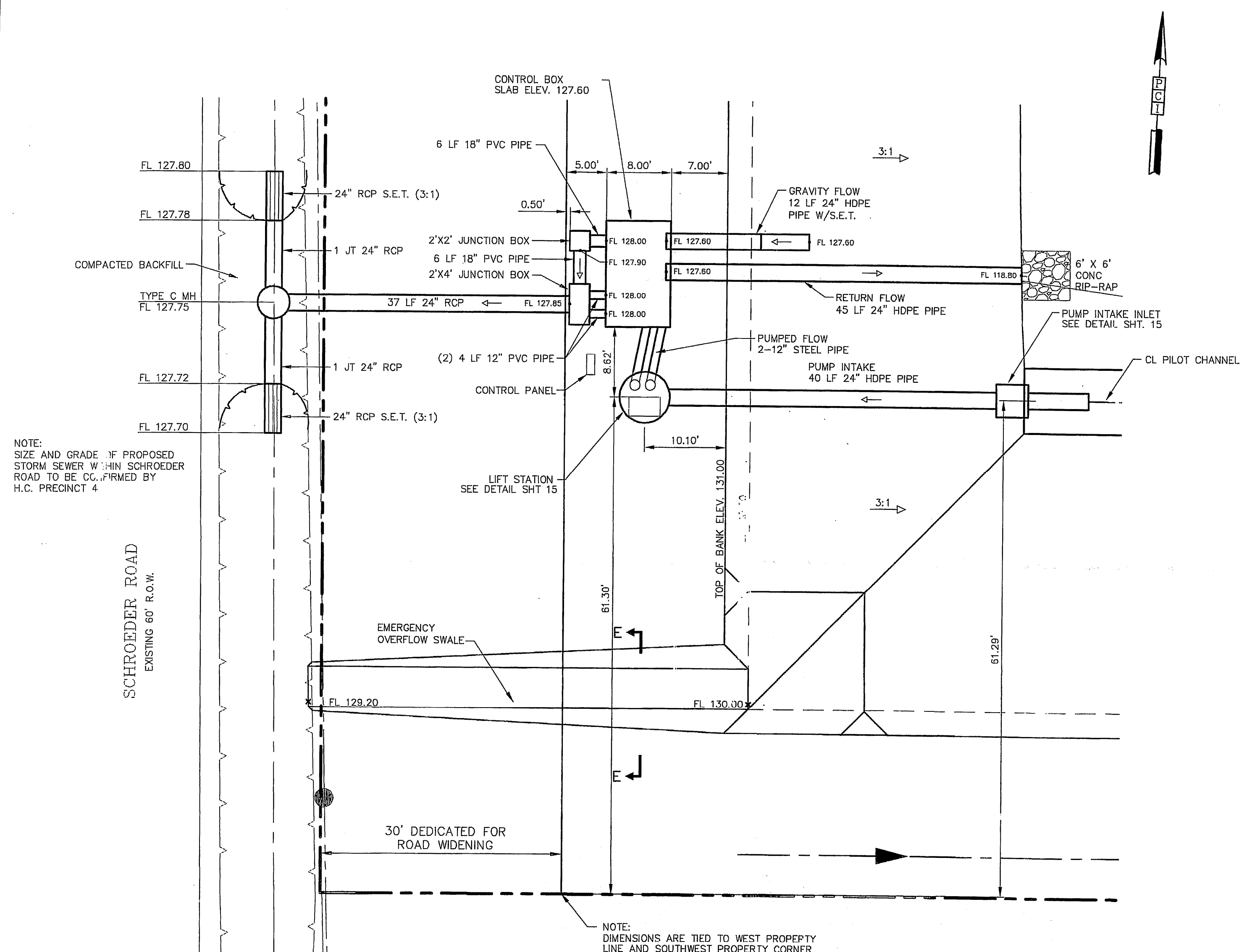


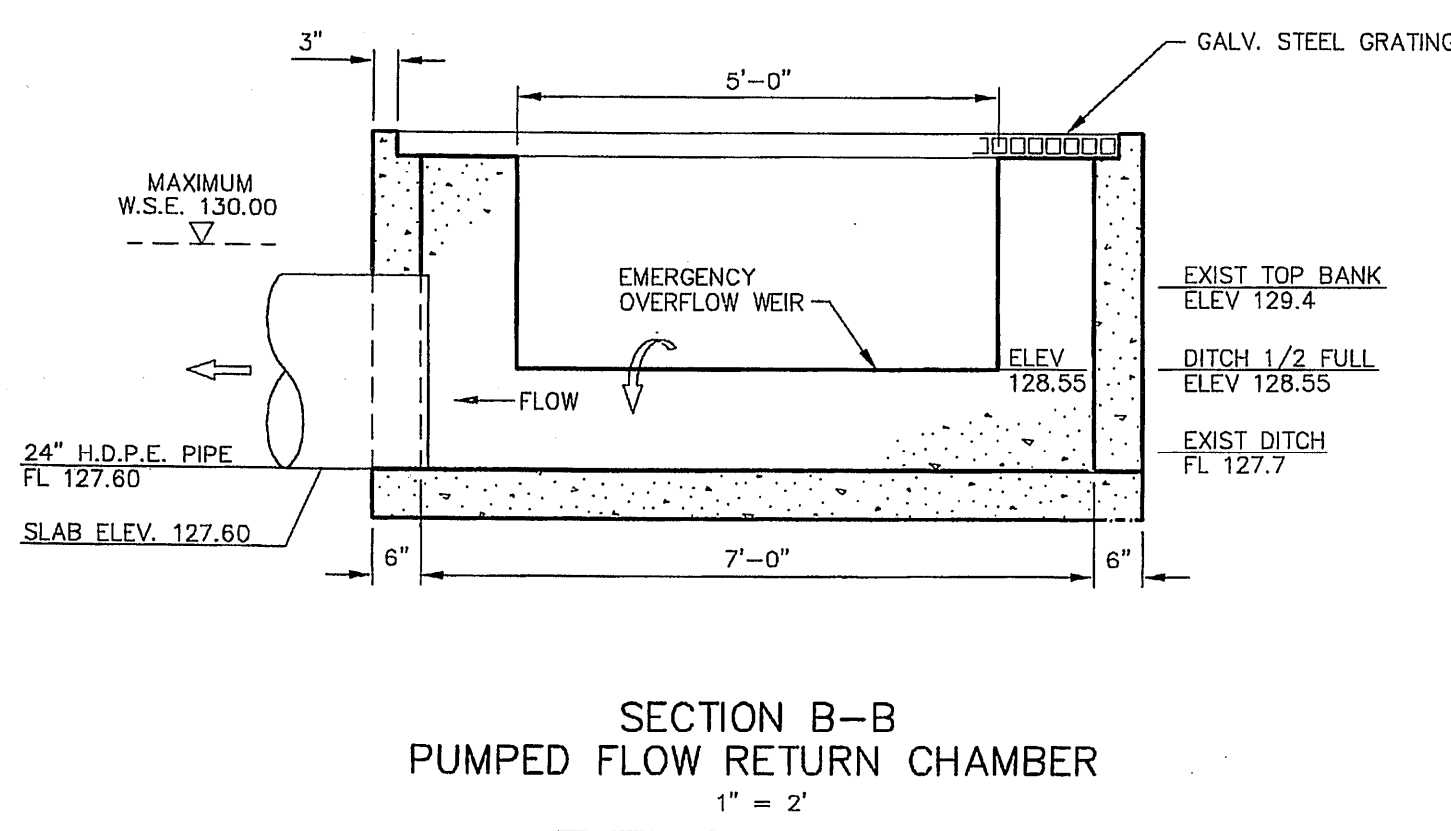
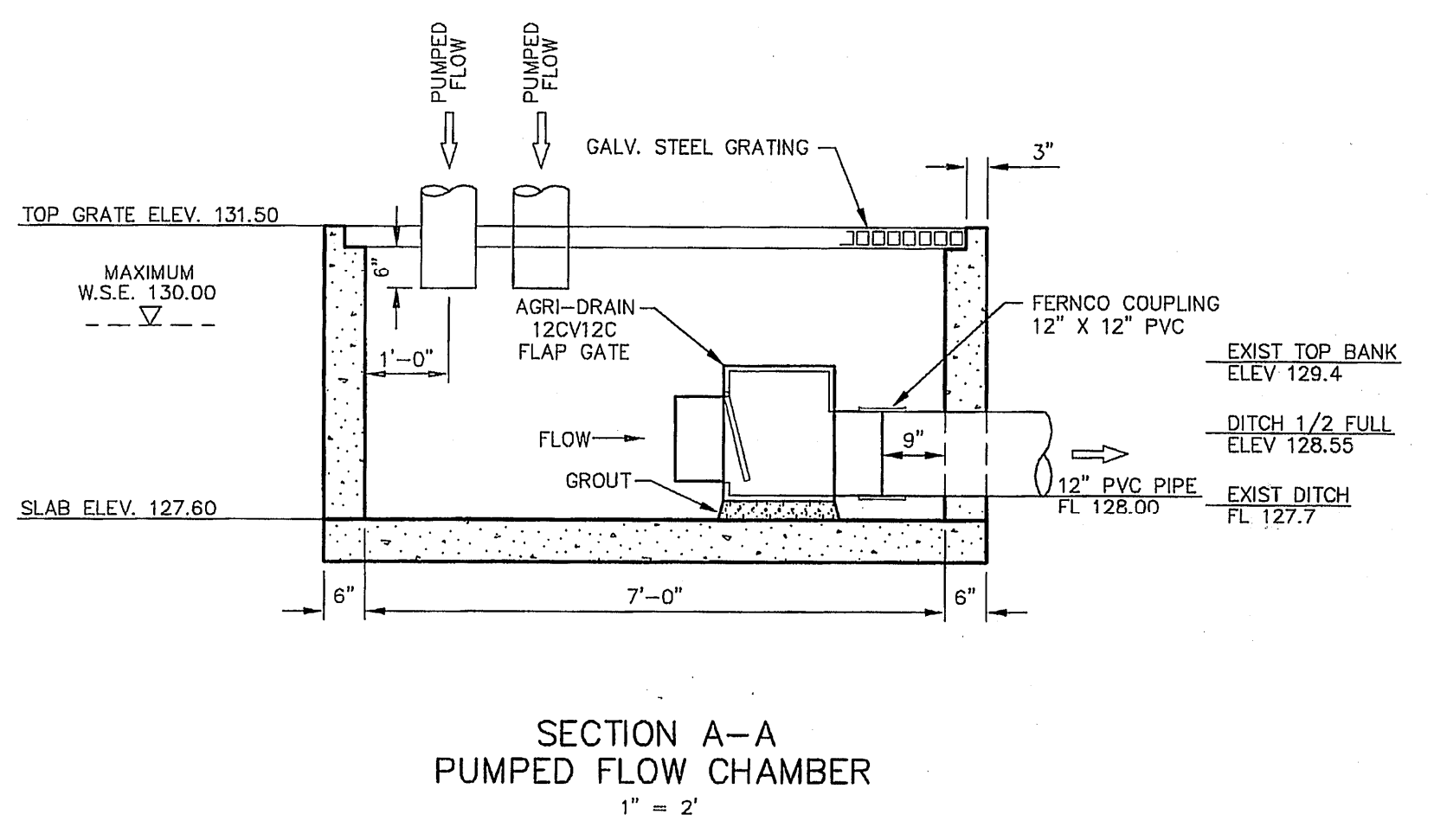
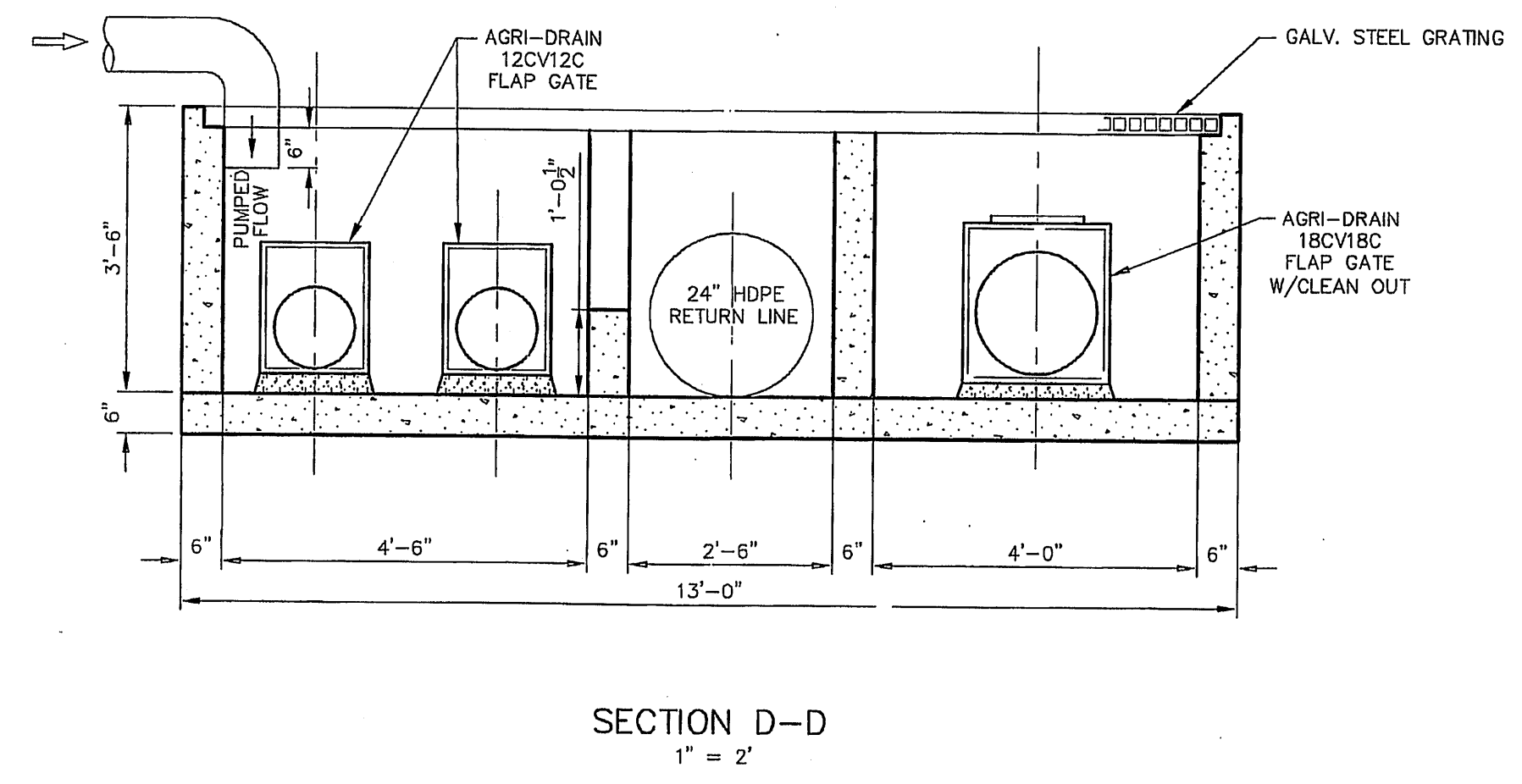
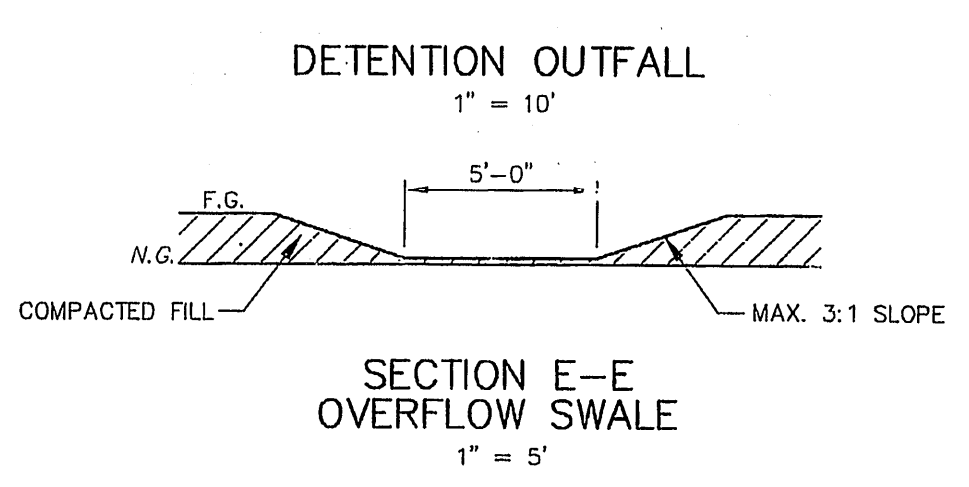
BENCH MARK

BENCHMARK NATIONAL GEODETIC SURVEY MARKER
 Y1216, 1973 ADJ. ELEV = 125.994
 Y1216, 1978 ADJ. ELEV = 125.406
 Y1216, 1988 ADJ. ELEV = 123.94
 ELEVATIONS ARE BASED ON 1973 ADJUSTMENT

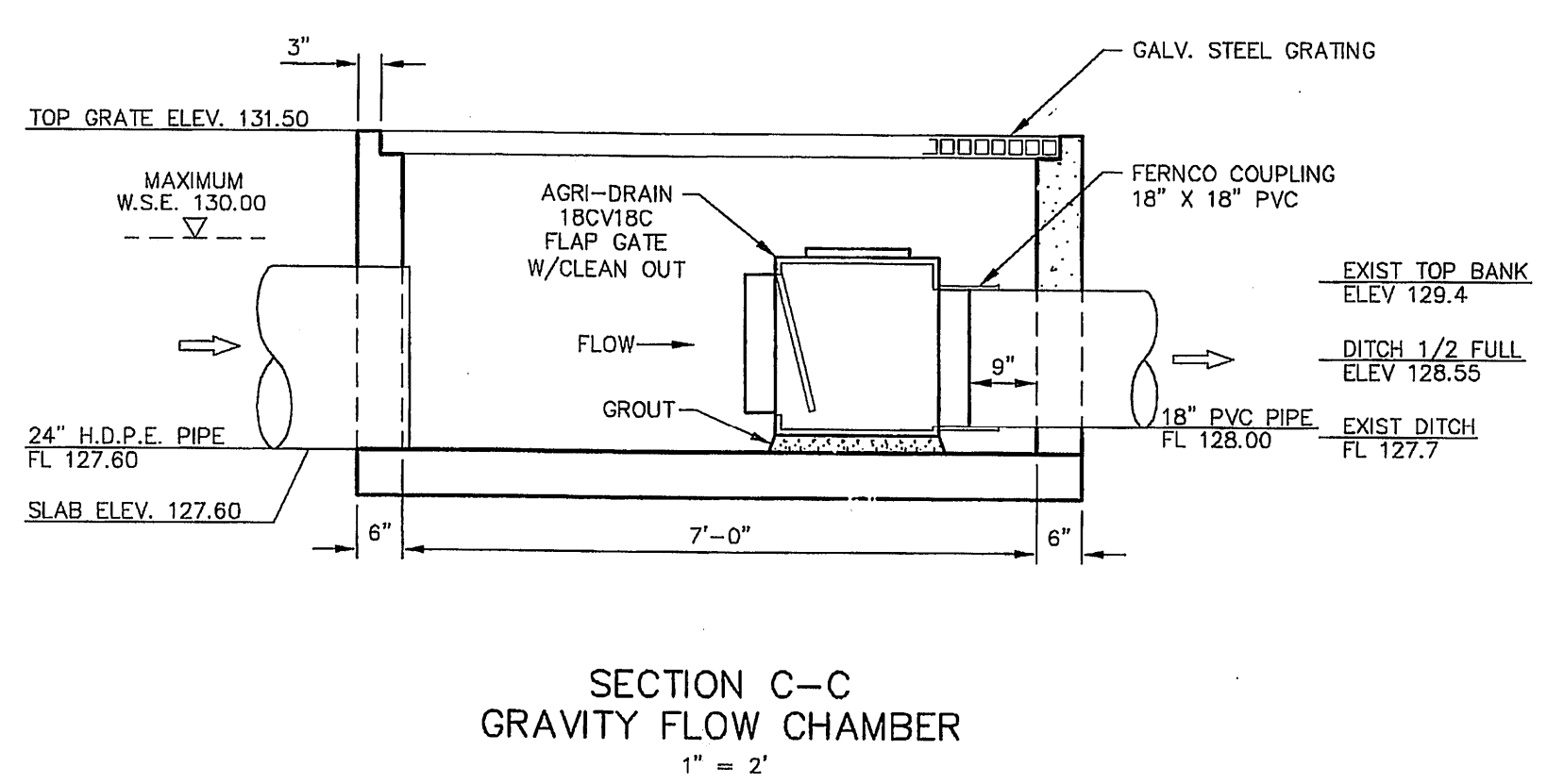
FLOOD PLAIN STATEMENT:
 No portion of this tract lies within a "100 year flood hazard area" as designated on "The National Flood Insurance Program - Flood Insurance Rate Map issued by the Federal Emergency Management Agency under Community Panel Number 480287 0435 J for Harris County, Texas dated November 6, 1996.



AGRI-DRAIN PRODUCTS ARE AVAILABLE AT:
 AGRI-DRAIN CORPORATION
 1462 340TH ST.
 P.O. BOX 458
 ADAIR, IOWA 50002
 WWW.AGRIDRAIN.COM



DEPTH OF FLOW OVER WEIR:
 FOR Q = 1.0 CFS; D = 0.2 FT
 FOR Q = 3.15 CFS; D = 0.4 FT



PRIVATE UTILITY LINES SHOWN

CENTERPOINT ENERGY, ENTEX
 SBC VALID FOR ONE YEAR
 APPROVED ONLY FOR UNDERGROUND CONDUIT FACILITIES
 CENTERPOINT ENERGY
 APPROVED ONLY FOR CROSSING UNDERGROUND DUCTLINES
 UNLESS NOTED VALID AT TIME OF REVIEW ONLY.

VILLAS AT WILLOWBOOK
 IN
 HARRIS COUNTY MUD 191
 HARRIS COUNTY, TEXAS
DETENTION OUTFALL AND CONTROL BOX

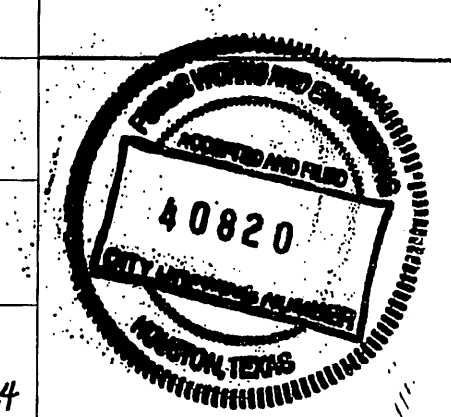
WATER: [Signature]
 ST. & BRIDGE: [Signature]
 TRAFFIC: [Signature]
 SWQ: [Signature]
 FACILITIES: [Signature]

FILE NO:

DRAWING SCALE:
 AS SHOWN

VERT: HORZ:

SHEET No: 14 OF 24



PROVIDENT CONSULTING, INC.
 1405 ALLSTON ST.
 HOUSTON, TEXAS 77008
 (713)802-1019
PCI
 PROVIDENT CONSULTING, INC.