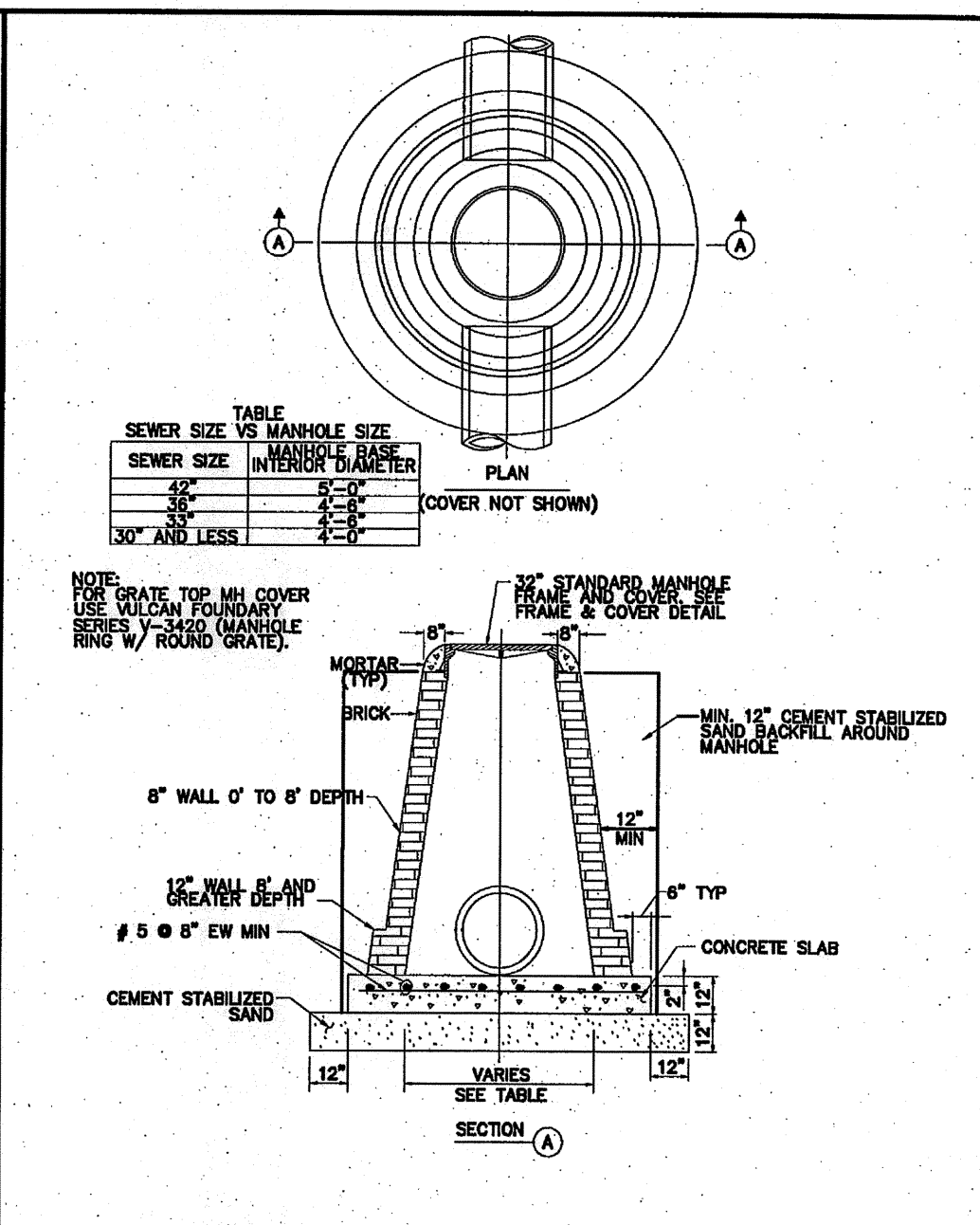
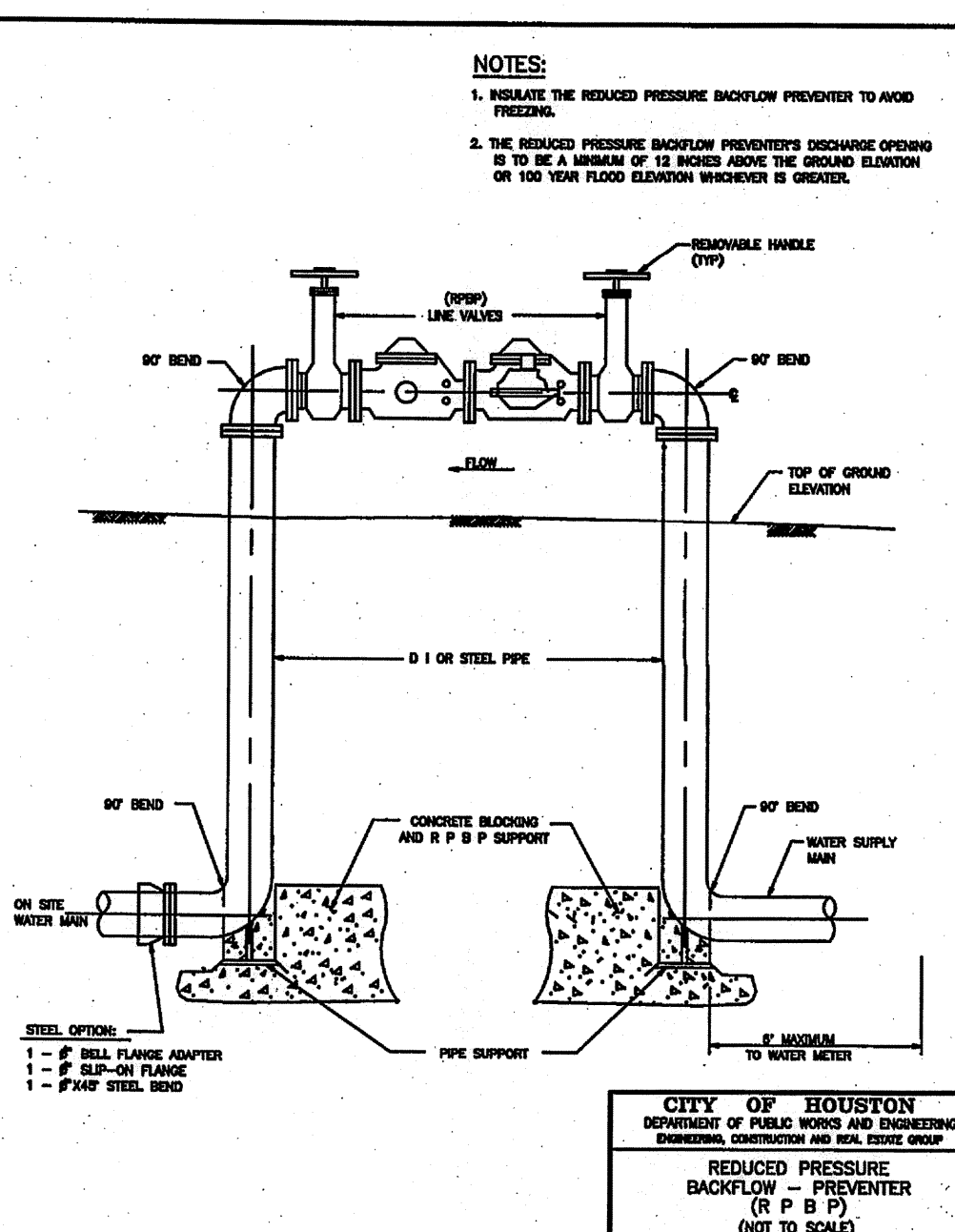


INLET DETAILS TYPE "A" & "B"

No. 151

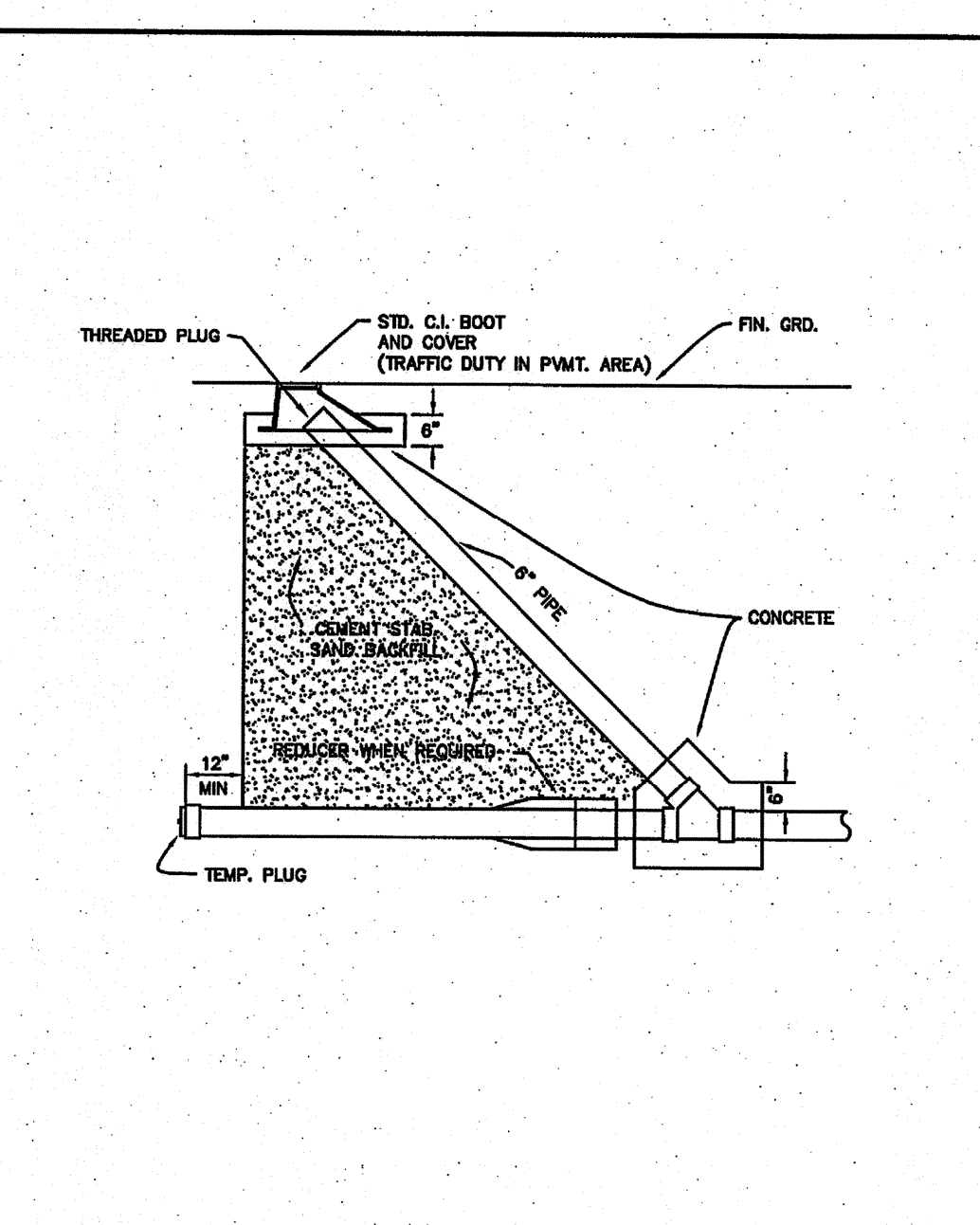


STORM SEWER MANHOLE TYPE "C" FOR 42\"/>

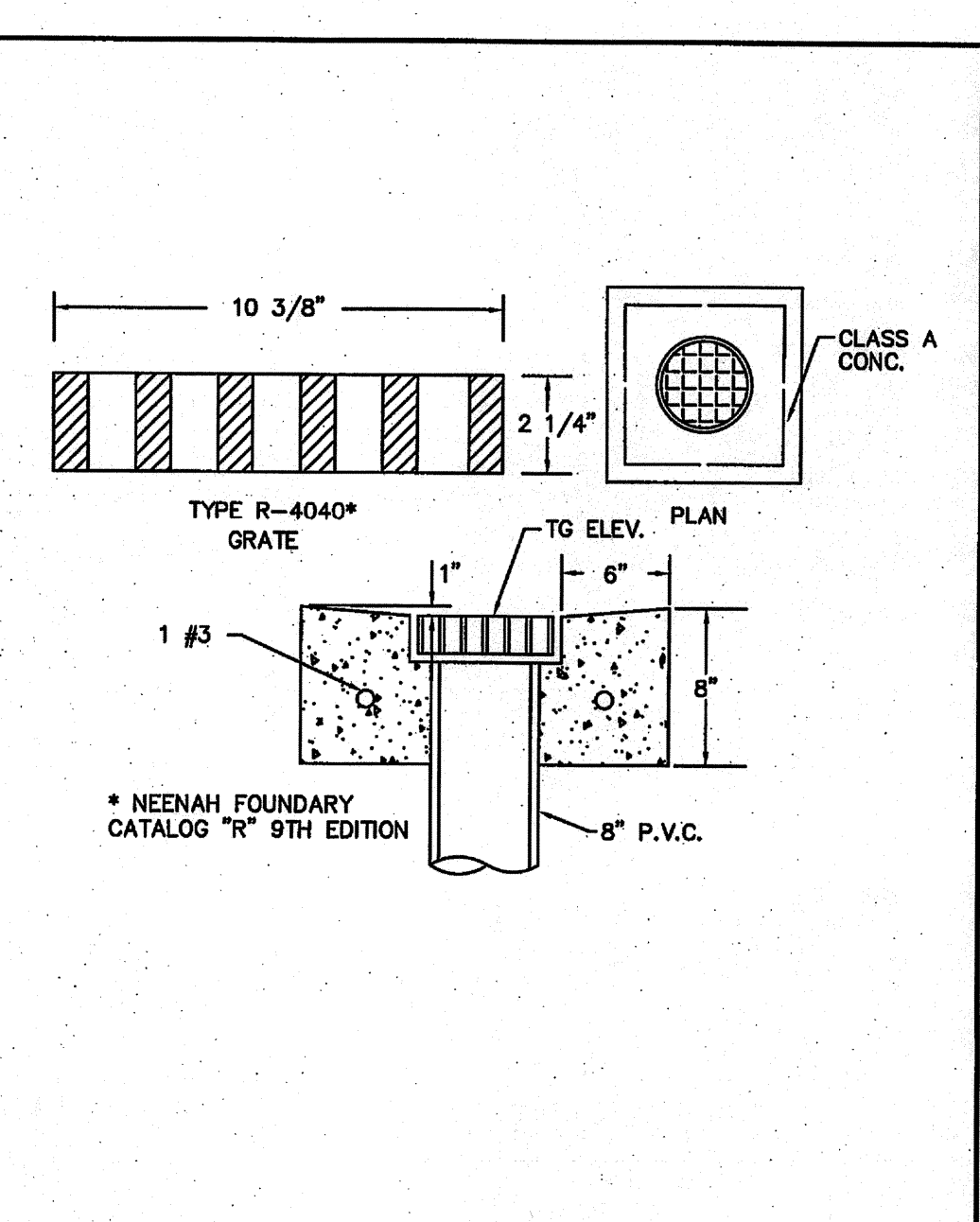


CURB INLET JOINT No. 153

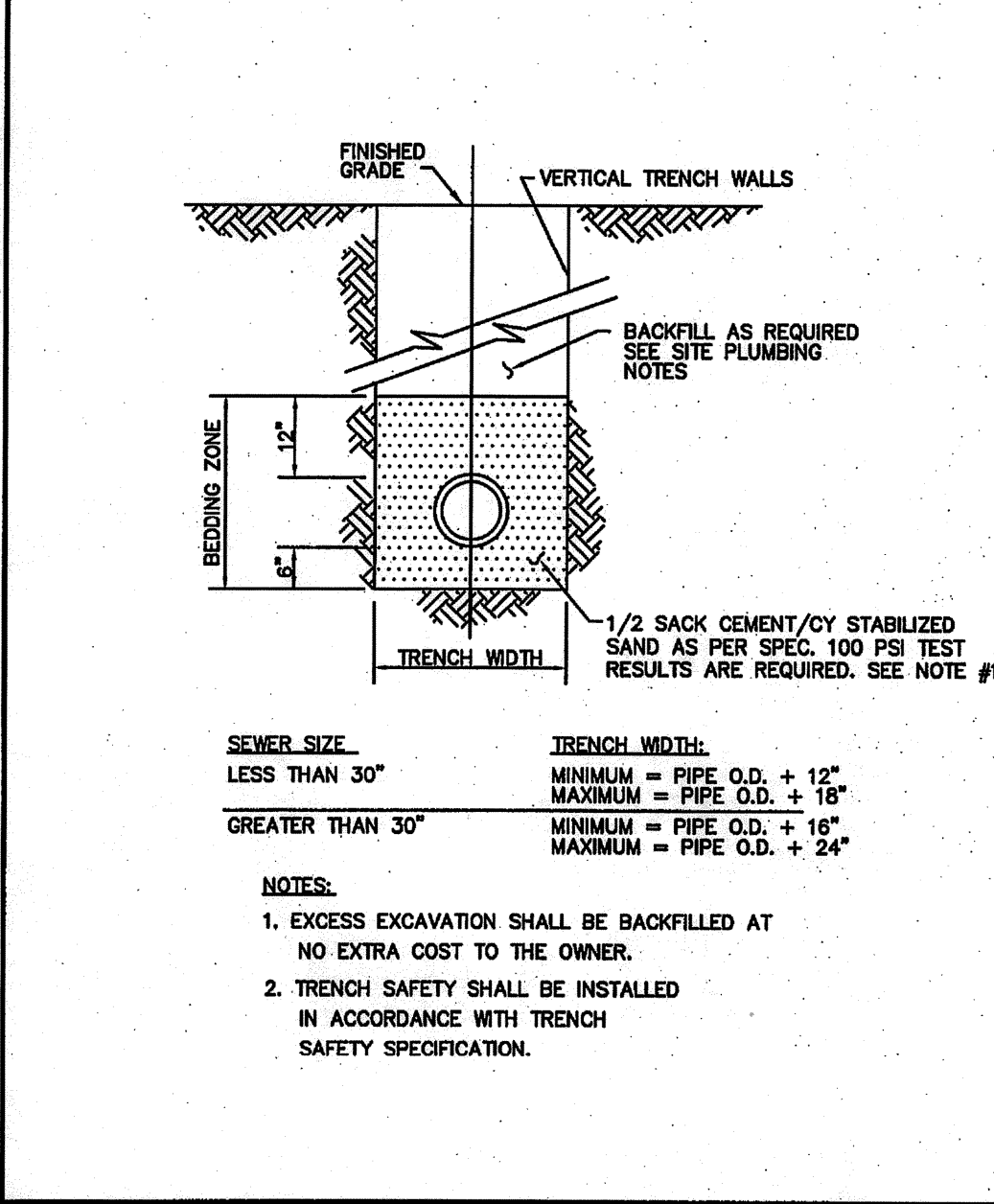
IRRIGATION SLEEVE DETAIL No. 145



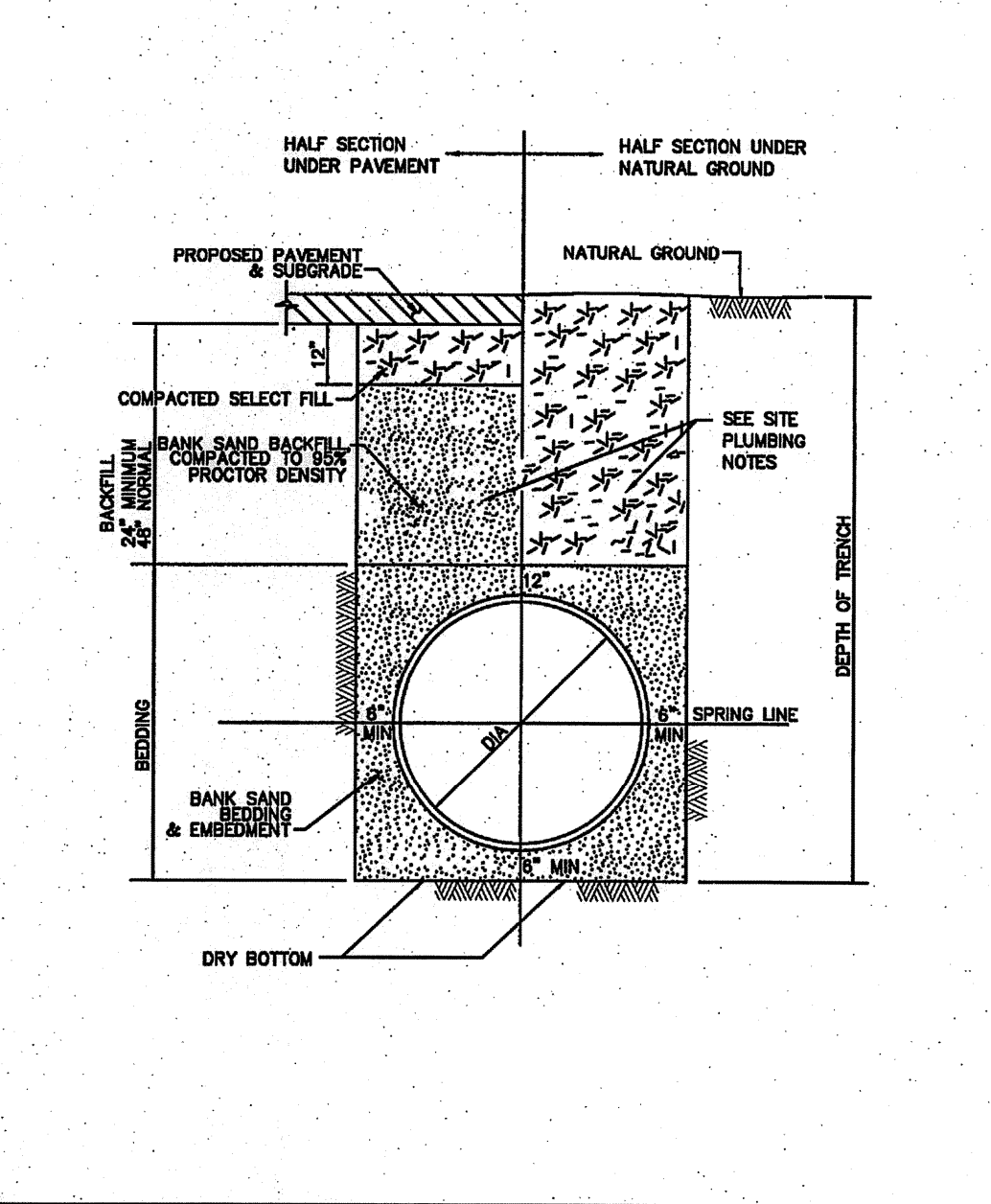
PRIVATE SEWER CLEANOUT SANITARY AND STORM No. 154



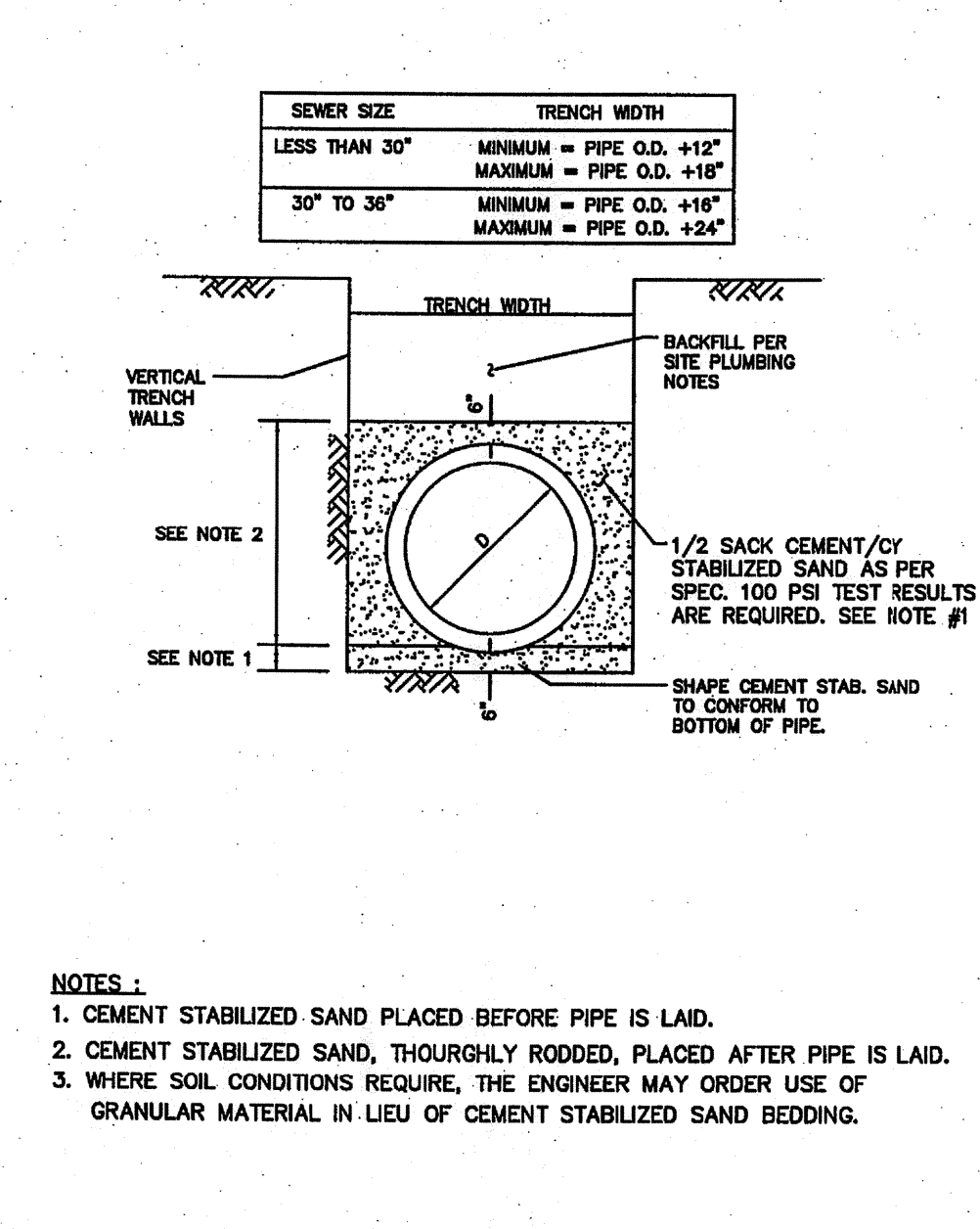
YARD GRATE INLET No. 152



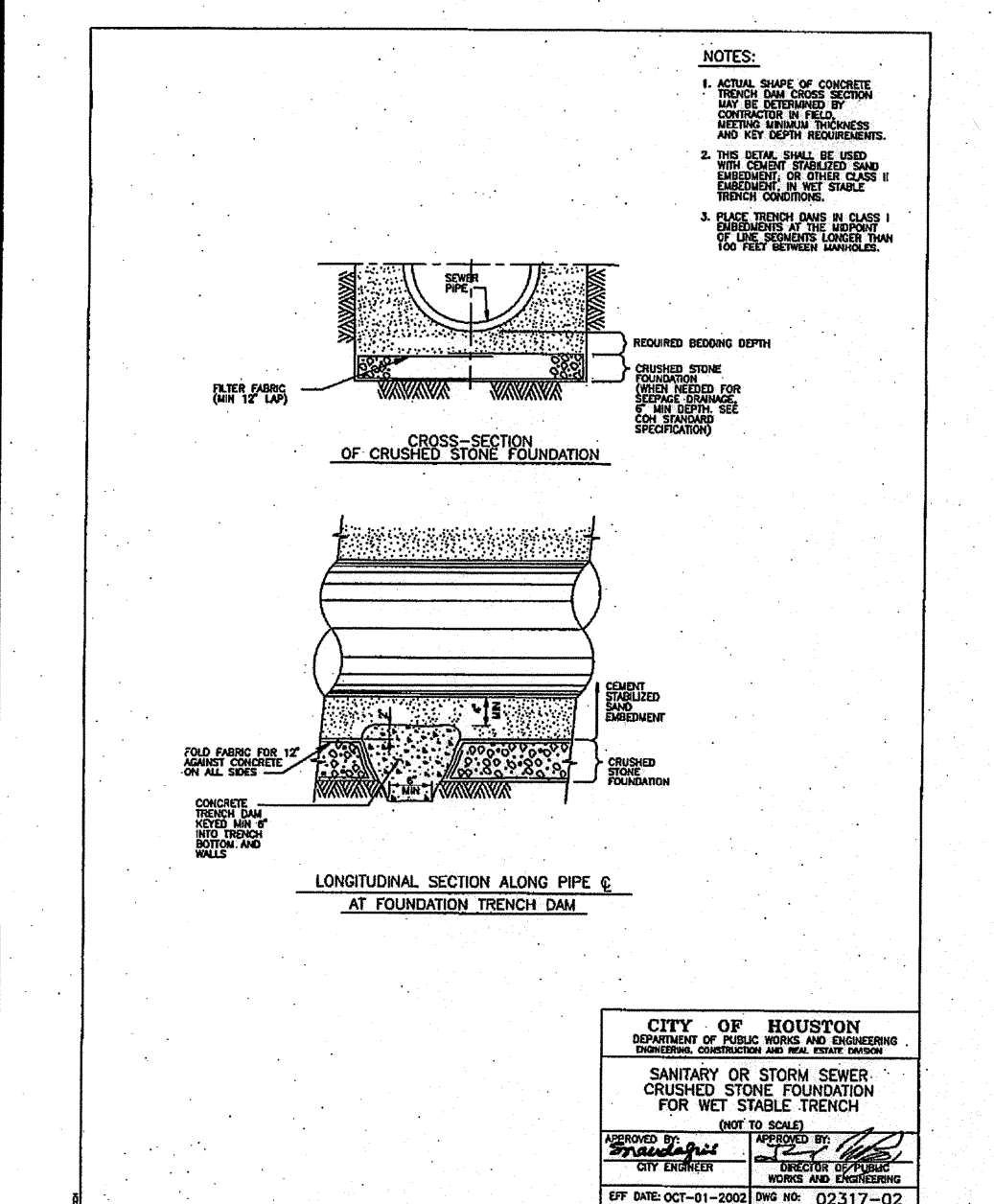
SANITARY SEWER BEDDING AND BACKFILL No. 161



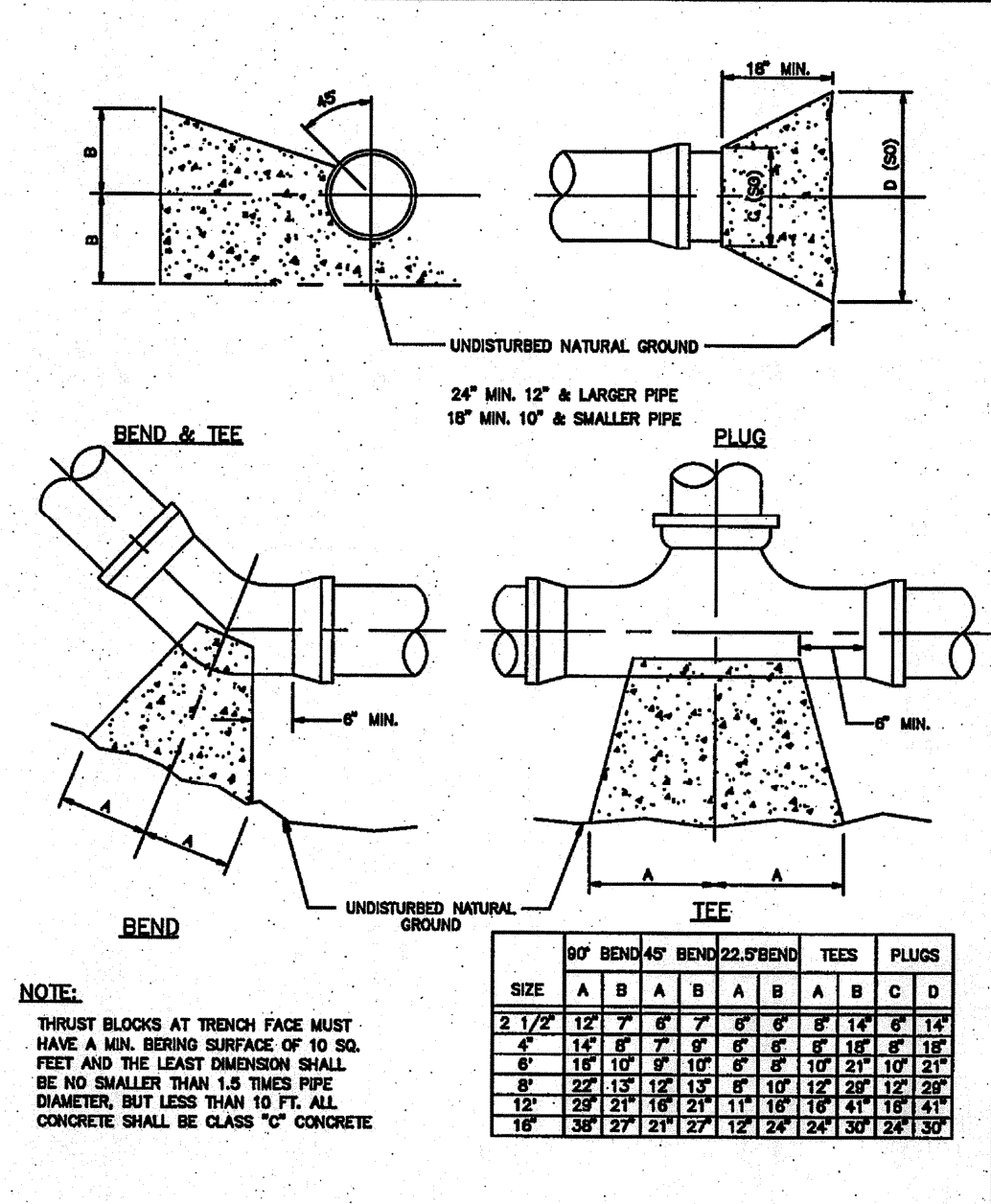
WATERLINE BEDDING AND BACKFILL No. 162



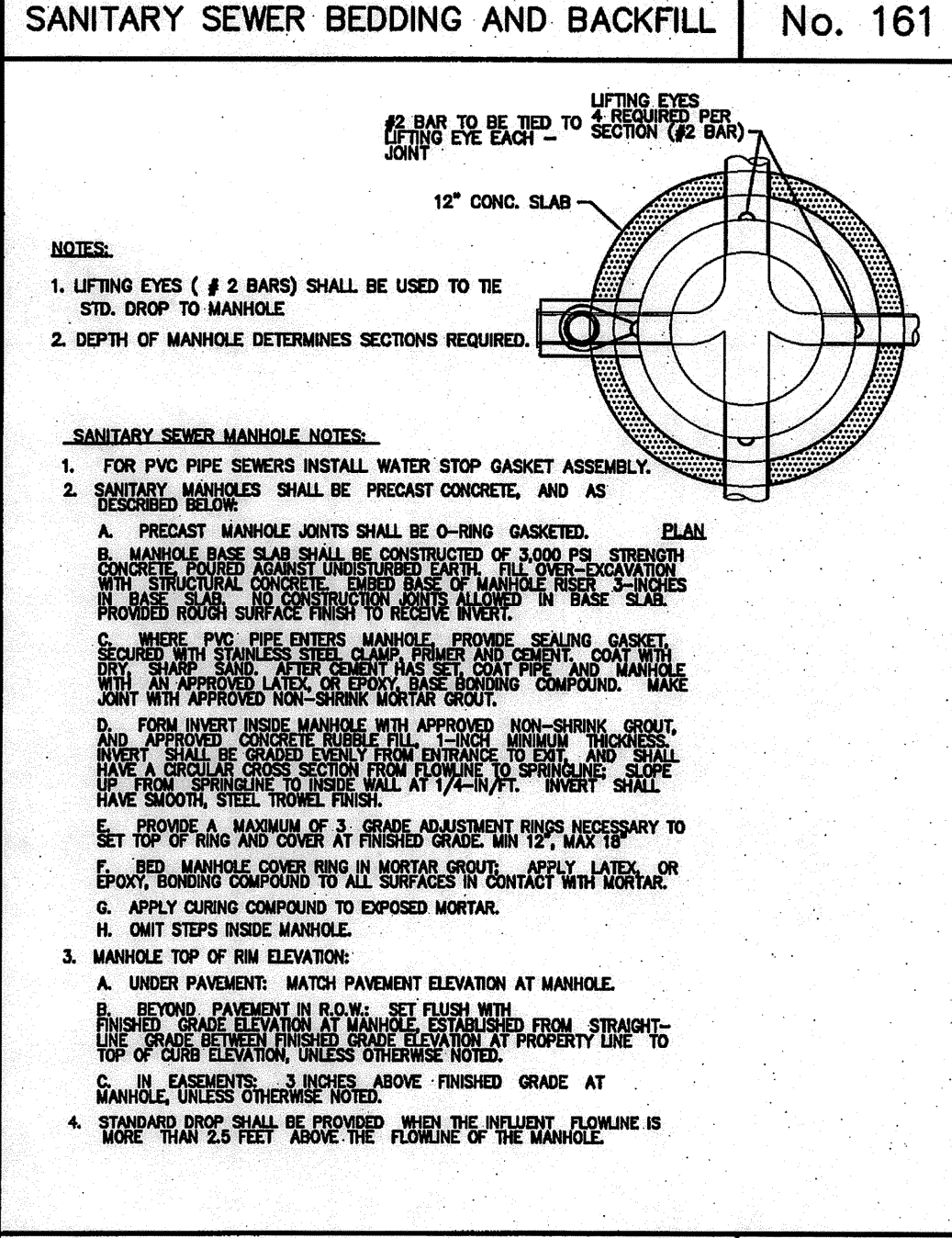
BEDDING FOR STORM SEWER 36\"/>



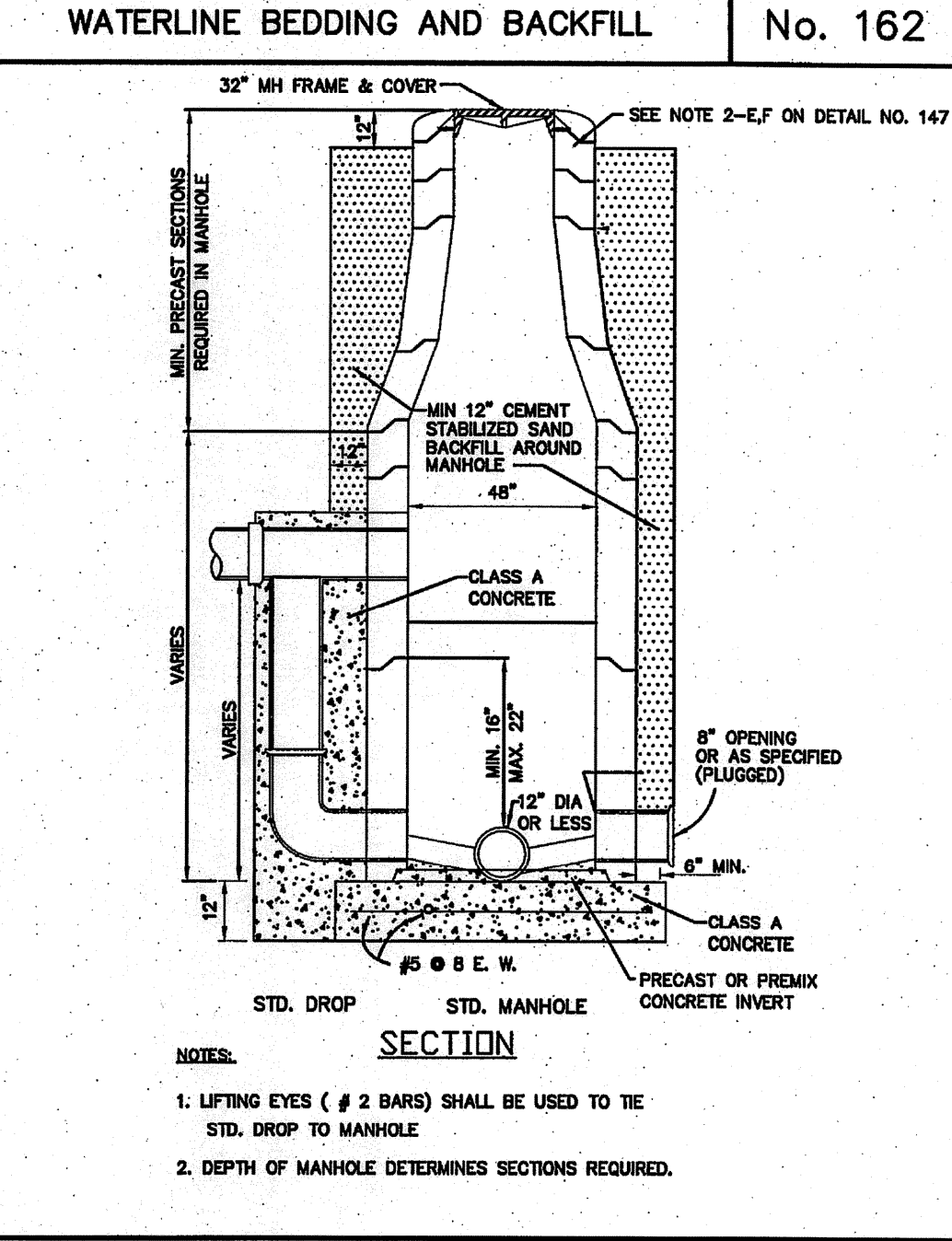
SANITARY OR STORM SEWER CRUSHED STONE FOUNDATION FOR WET STABLE TRENCH No. 160



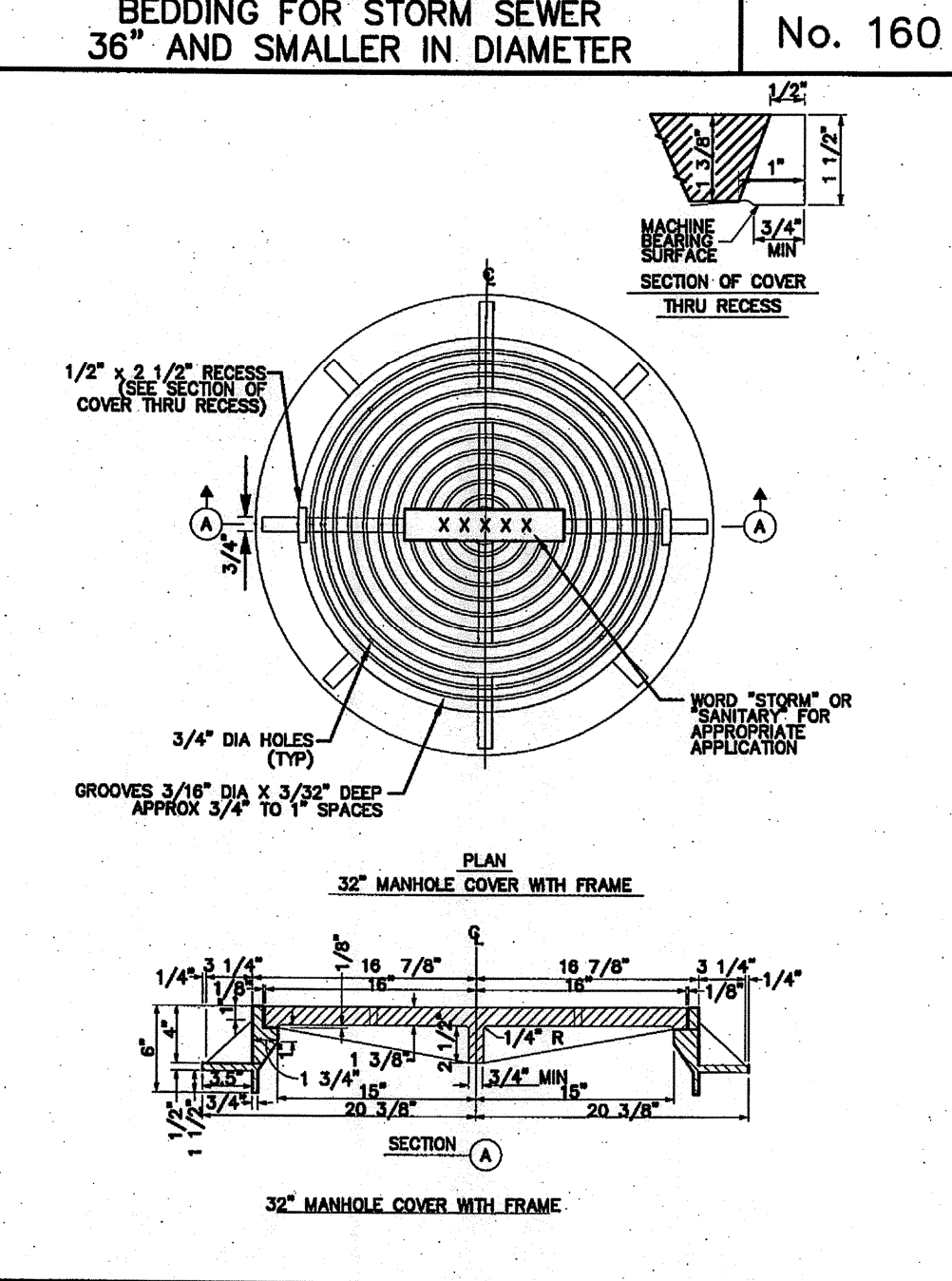
THRUST BLOCK DETAIL No. 201



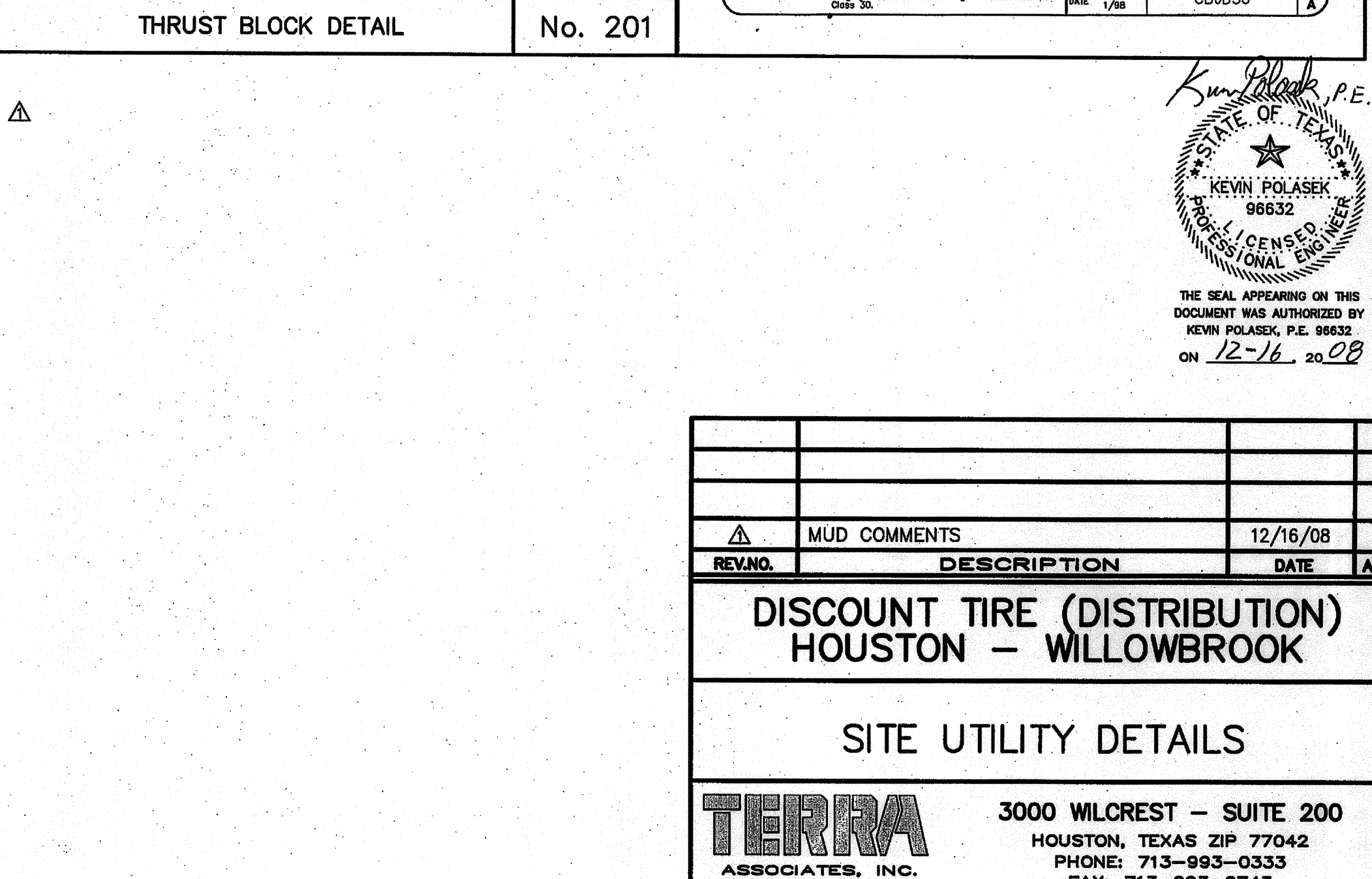
4' DIA SANITARY SEWER MANHOLE NOTES No. 147



4' DIA SANITARY SEWER MANHOLE No. 146



MANHOLE FRAME AND COVER No. 150



DISCOUNT TIRE (DISTRIBUTION) HOUSTON - WILLOWBROOK SITE UTILITY DETAILS