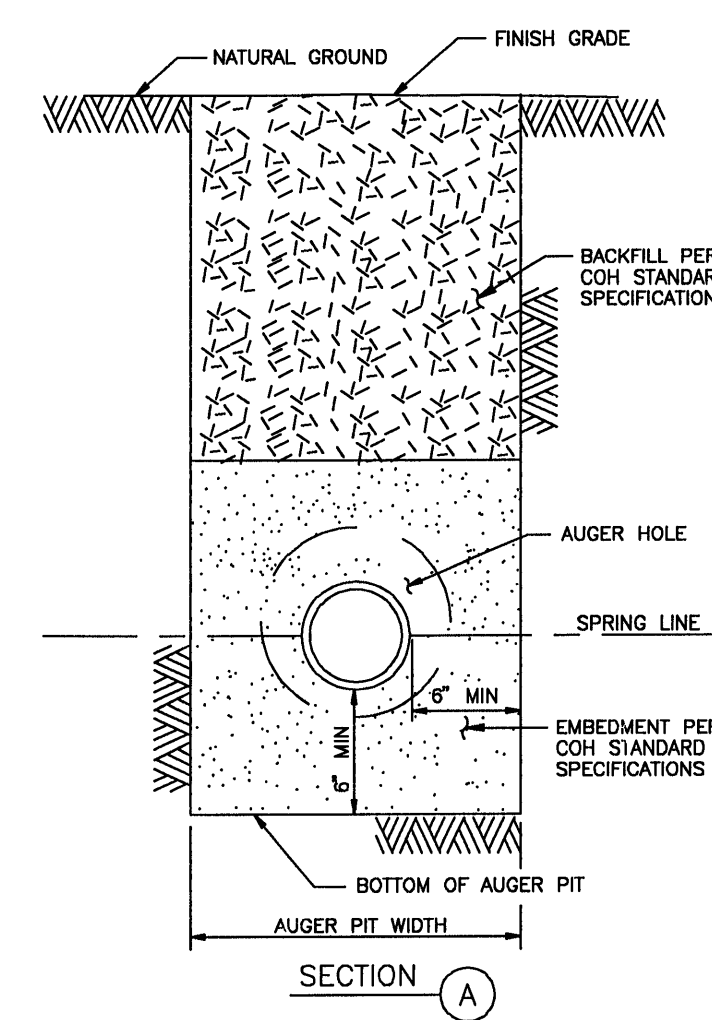
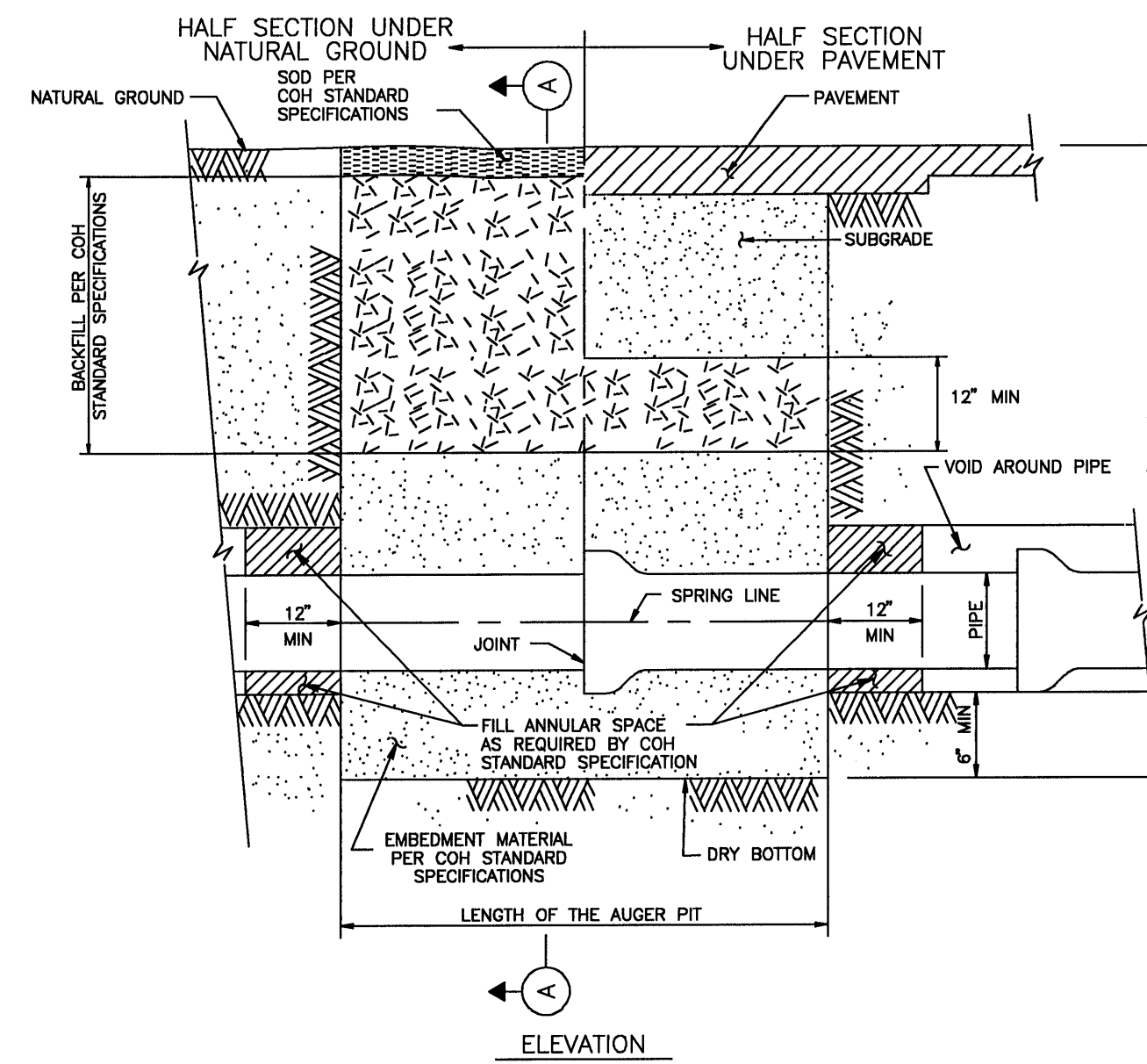
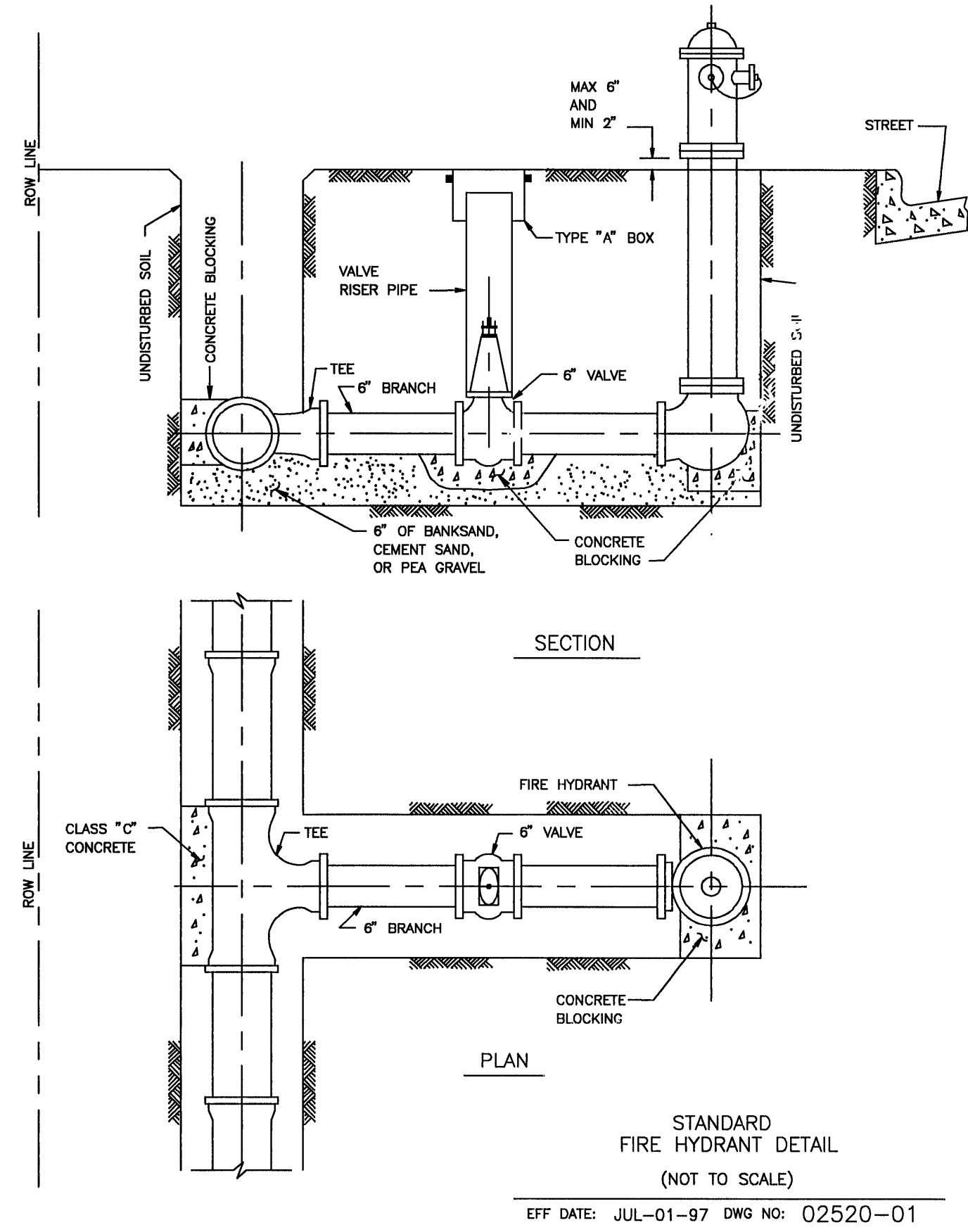
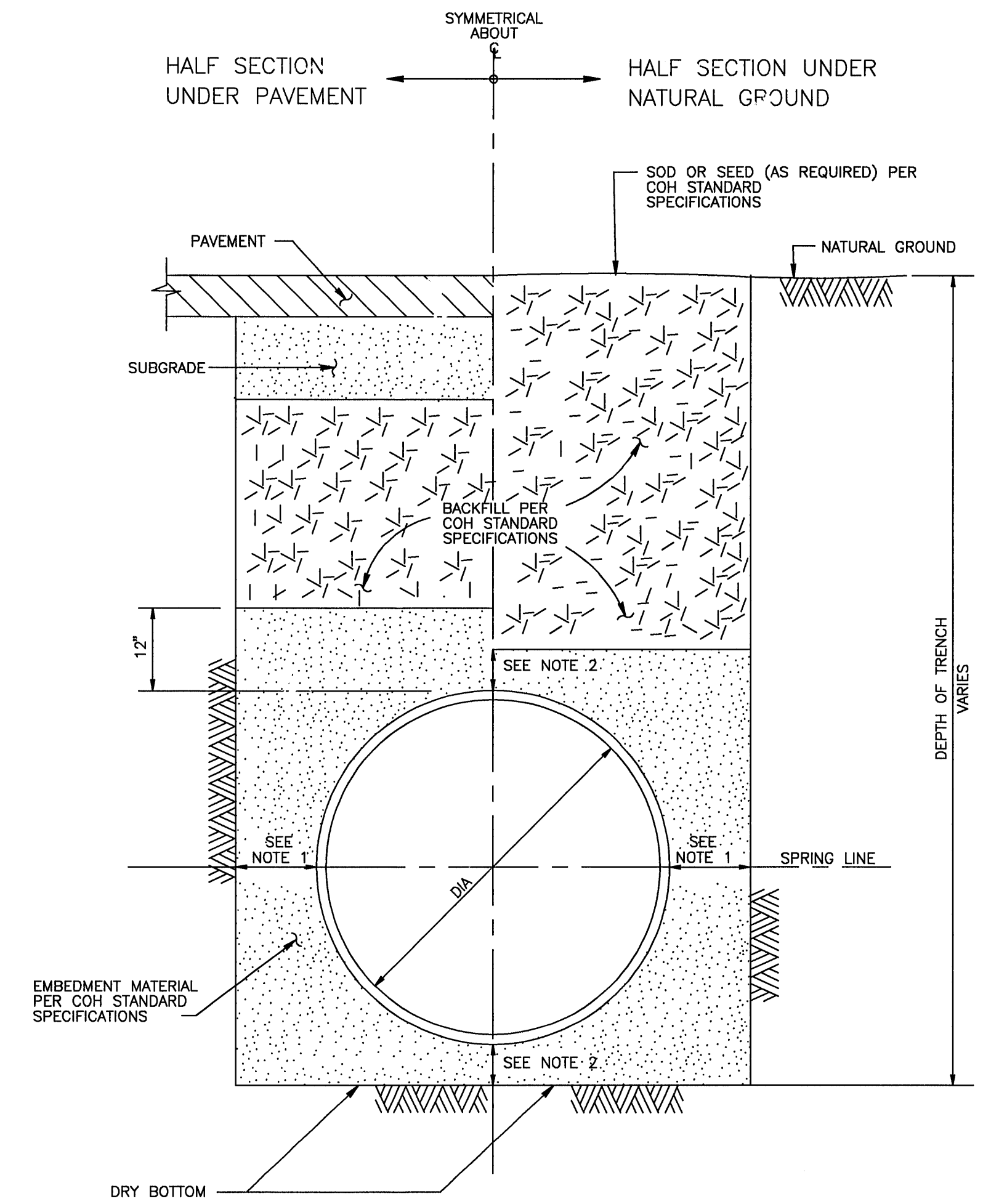


- NOTES:**
1. LOCATE FIRE HYDRANTS AT PC'S OF THE INTERSECTION CURB RADIUS, 3 FEET BEHIND CURB OR PROJECTED FUTURE CURB.
  2. ON OPEN-DITCH ROADWAYS, SET THE FIRE HYDRANTS WITHIN 3 FEET OF RIGHTS-OF-WAY LINES.
  3. THE FIRE HYDRANT STEAMER NOZZLE SHALL FACE THE STREET.



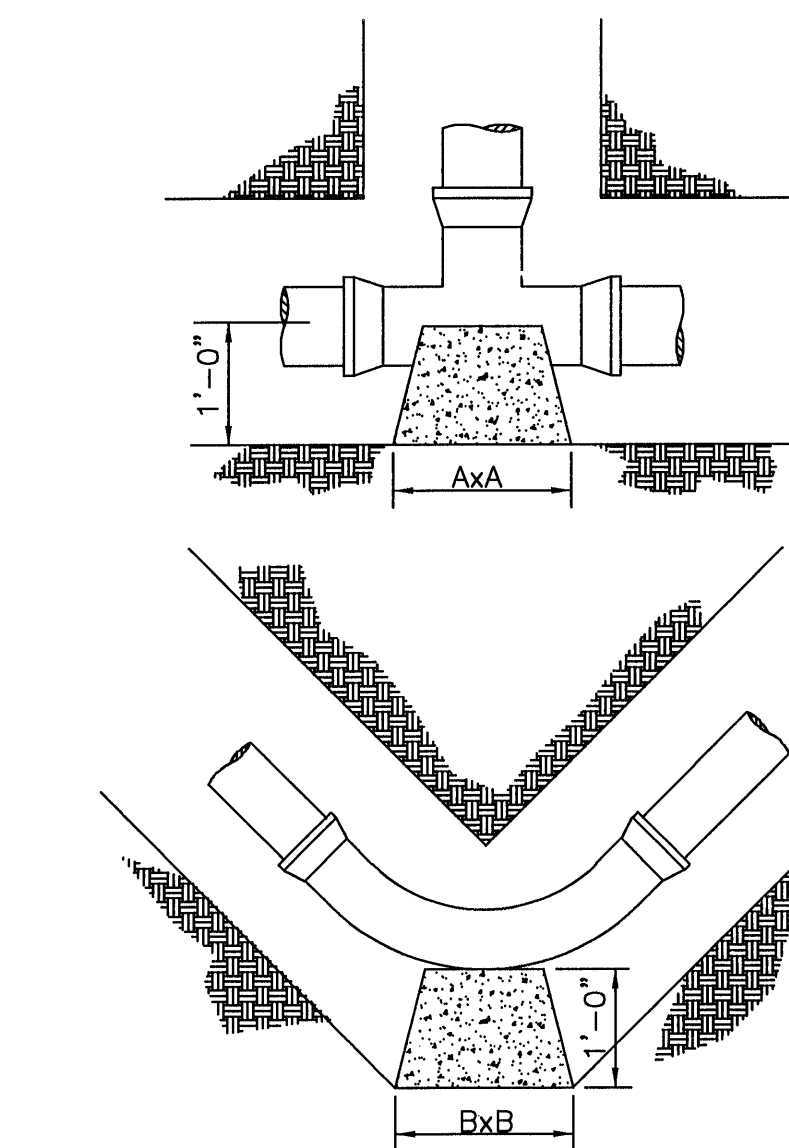
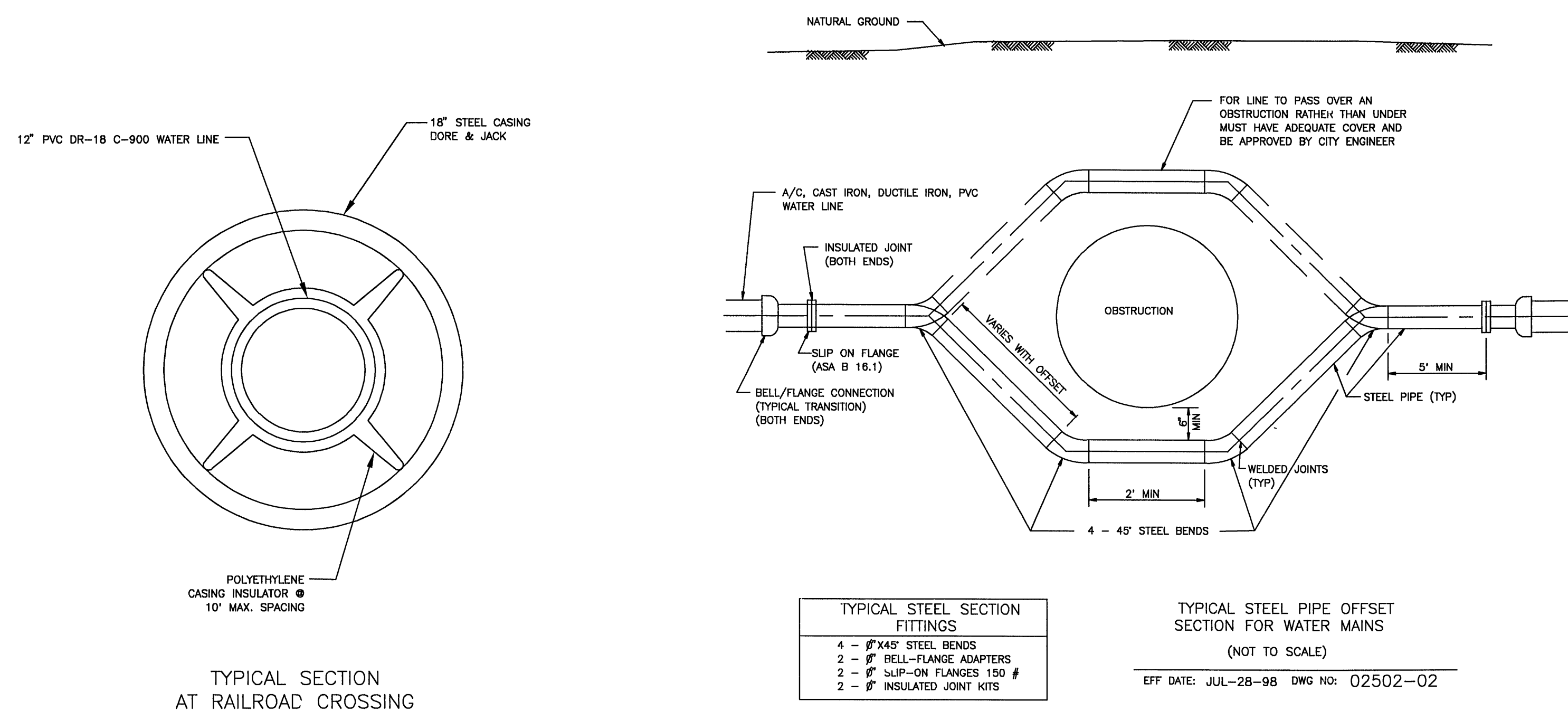
**WATER DISTRIBUTION MAIN BEDDING AND BACKFILL AUGER PIT AND AUGER HOLE**  
(NOT TO SCALE)

EFF DATE: JUL-28-98 DWG NO: 02447-01

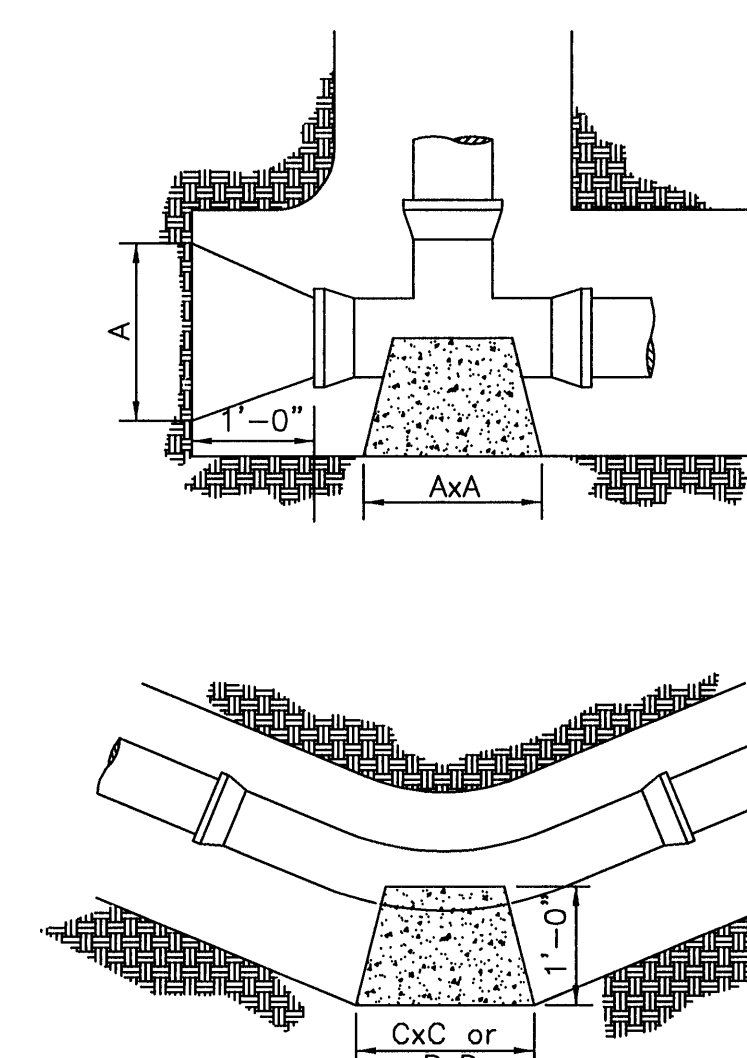


- NOTE:**
1. SEE COH STANDARD DETAIL
  2. 6" MIN. FOR MAIN DIAMETER ≤ 20"
  - 12" MIN. FOR MAIN DIAMETER > 20"

- NOTE:**
1. MATERIALS AND COATINGS TO BE IN ACCORDANCE WITH WATER MAIN STANDARD SPECIFICATIONS.
  2. RESTRAIN EXISTING PIPING BEYOND STEEL SECTION AS REQUIRED TO PREVENT MOVEMENT.



PIPE SIZE	"A" Plugs, Wyes, Tees	"B" 90° Bend	"C" 45° Bend	"D" 22'30" Bend
6"	1'-0"	1'-2"	1'-2"	1'-2"
8"	1'-3"	1'-6"	1'-6"	1'-6"
12"	2'-8"	3'-0"	2'-3"	2'-3"



**NOTE:** Heights of all blocks shall be equal to the A, B, C, or D dimension called for. All concrete to be poured against firm undisturbed soil.

Concrete to be min. 3000 P.S.I. @ 28 days.

SUBMITTED: \_\_\_\_\_ DESIGNED BY: B K WILSON  
SCALE: N/A DRAWN BY: BILL DORRIS  
DATE: MARCH 2000 SHEET NO. 12 OF 14 SHEETS  
SURVEY BY: \_\_\_\_\_ CITY DWG. NO: WATERD.DWG  
F B NO: 462U

**WATER LINE DETAILS**