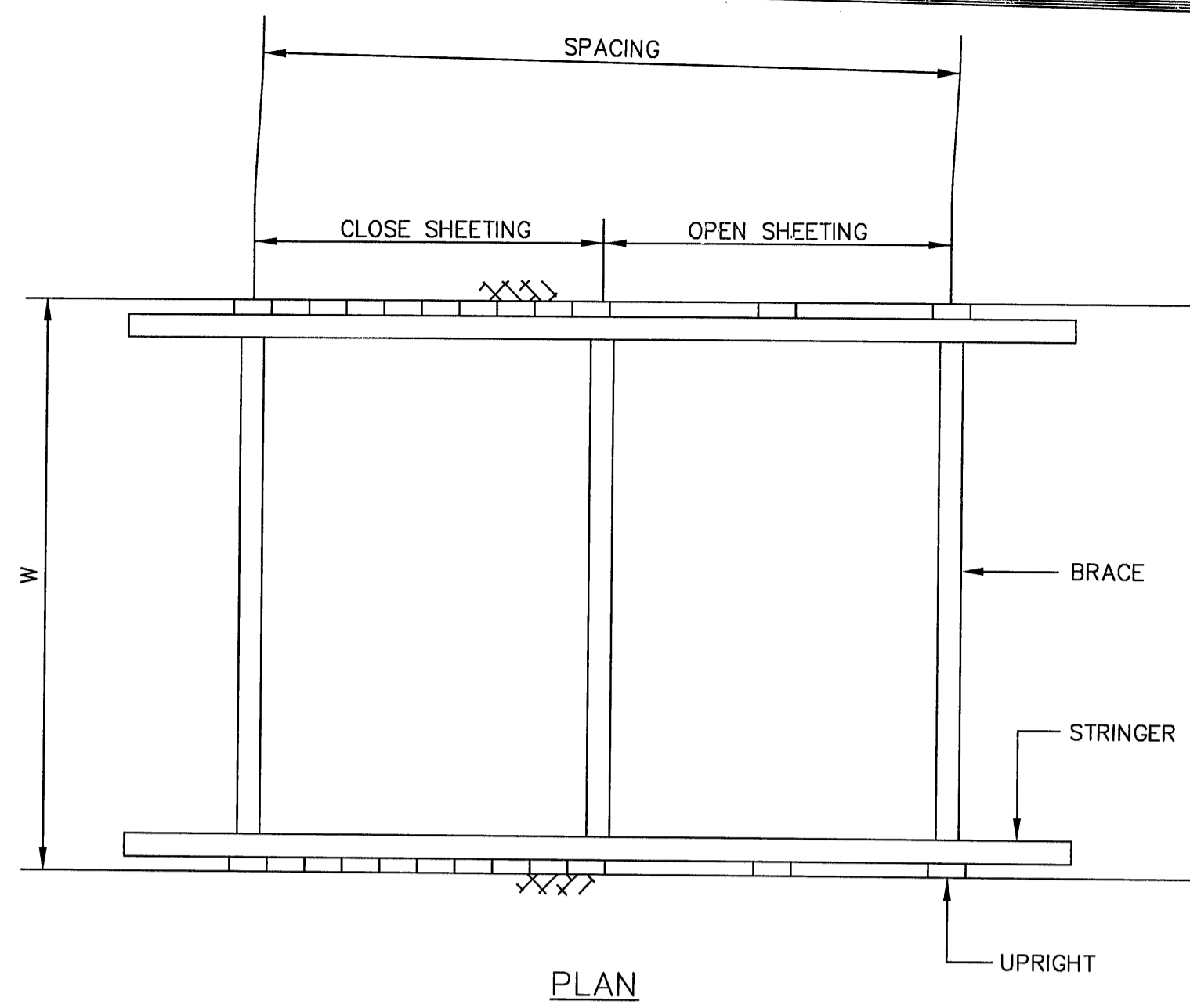


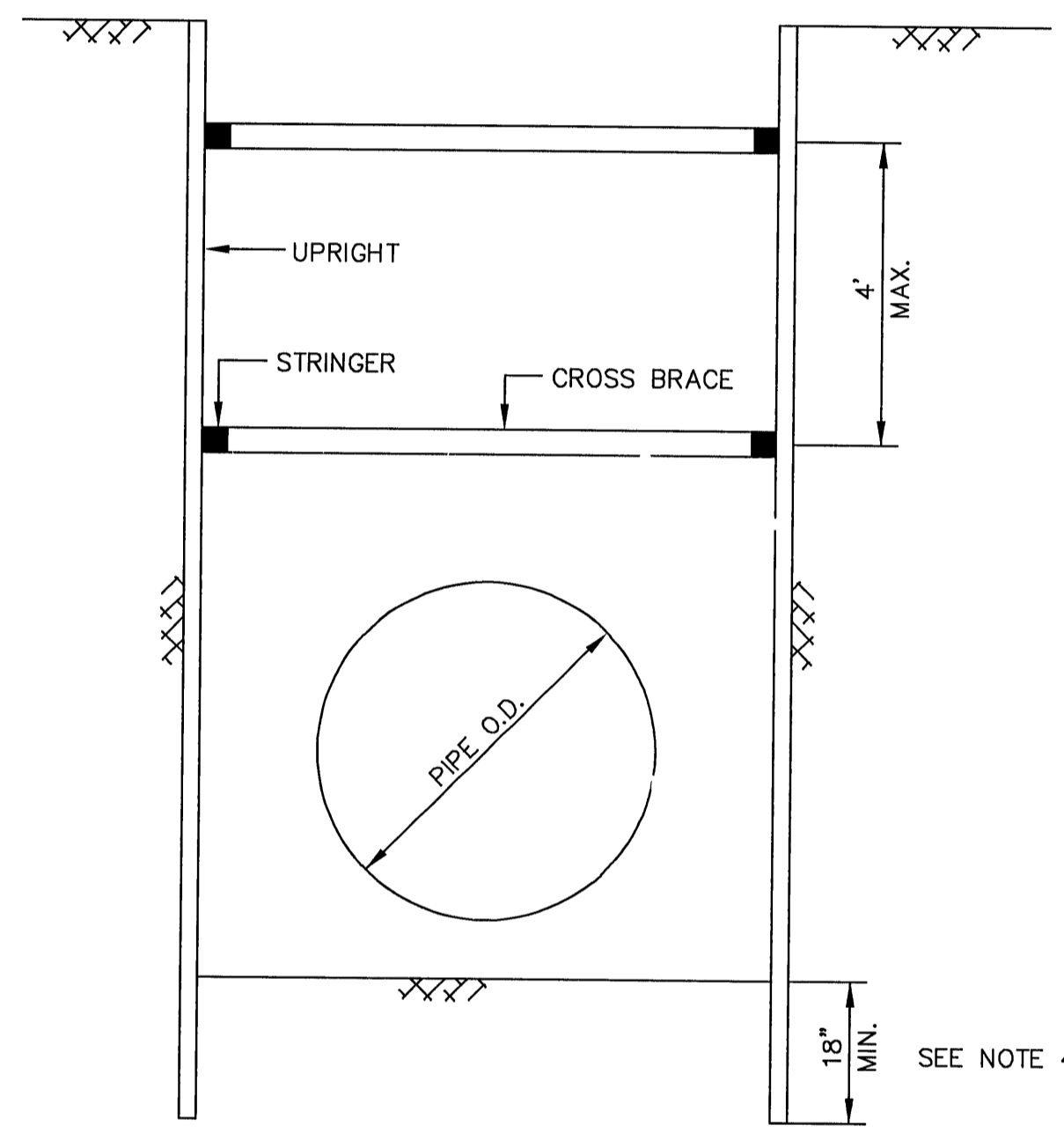
TRENCH SHORING - MINIMUM REQUIREMENTS (**)



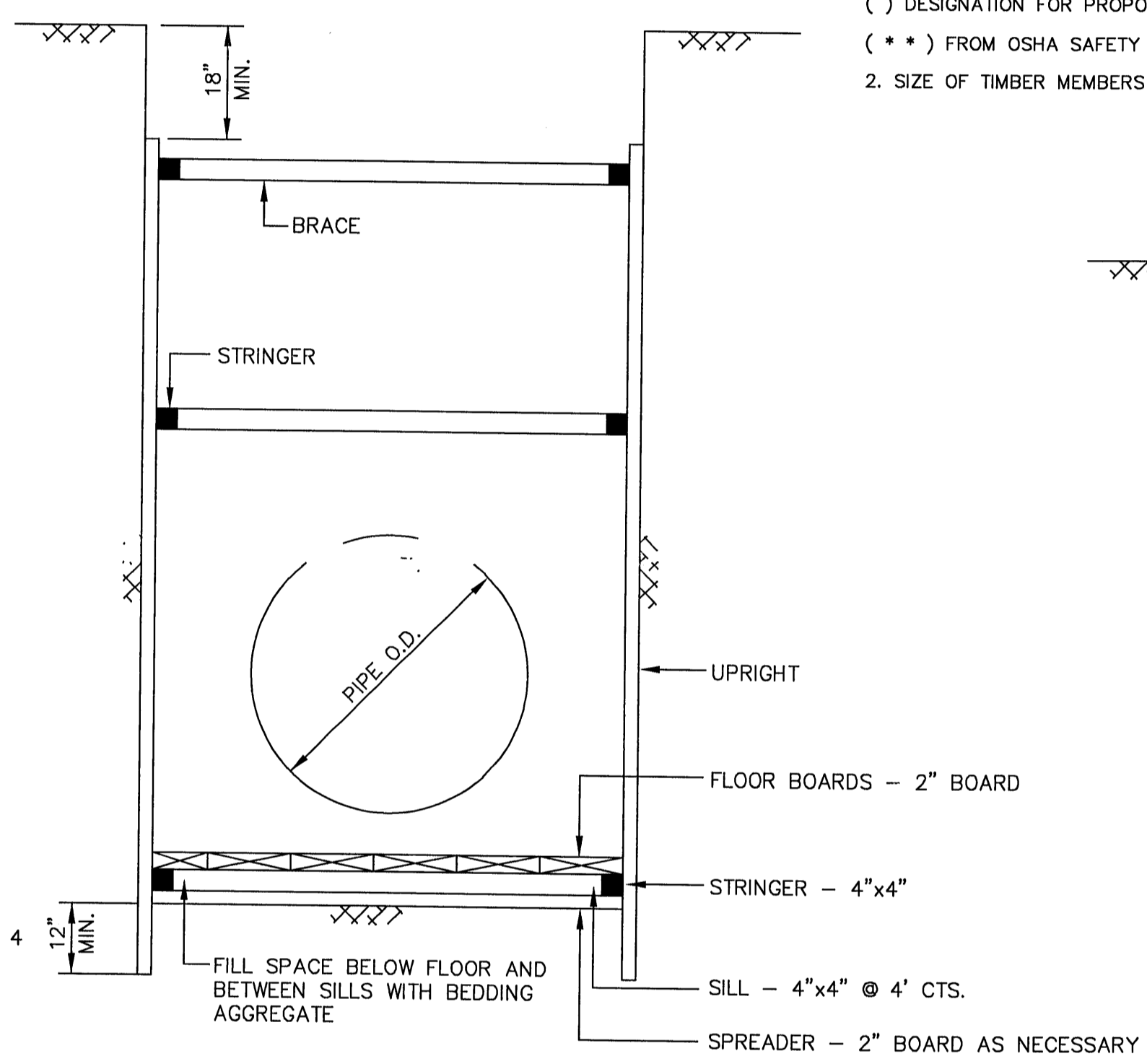
DEPTH OF TRENCH FEET	KIND OF CONDITION OF EARTH TYPE	SIZE AND SPACING OF MEMBERS										
		UPRIGHTS		S' STRINGERS		CROSS BRACES ¹					MAXIMUM SPACING	
		MINIMUM DIMENSION	MAXIMUM SPACING	MINIMUM DIMENSION	MAXIMUM SPACING	WIDTH OF TRENCH					VERTICAL	HORIZONTAL
		INCHES	FEET	INCHES	FEET	UP TO 3 FEET	3 TO 6 FEET	6 TO 9 FEET	9 TO 12 FEET	12 TO 15 FEET	FEET	FEET
5 TO 10	(A) HARD, COMPACT	3x4 OR 2x6	6	4	4	2x6	4x4	4x6	6x6	6x8	4	6
	(B) LIKELY TO CRACK	3x4 OR 2x6	3	4x6	4	2x6	4x4	4x6	6x6	6x8	4	6
	(C) SOFT, SANDY, OR FILLED	3x4 OR 2x6	CLOSE SHEETING	4x6	4	4x4	4x6	6x6	6x8	8x8	4	6
	(D) HYDROSTATIC PRESSURE	3x4 OR 2x6	CLOSE SHEETING	6x8	4	4x4	4x6	6x6	6x8	8x8	4	6
10 TO 15	(A) HARD, COMPACT	3x4 OR 2x6	4	4x6	4	4x4	4x6	6x6	6x8	8x8	4	6
	(B) LIKELY TO CRACK	3x4 OR 2x6	2	4x6	4	4x4	4x6	6x6	6x8	8x8	4	6
	(C) SOFT, SANDY, OR FILLED	3x4 OR 2x6	CLOSE SHEETING	4x6	4	4x6	6x6	6x8	8x8	8x10	4	6
	(D) HYDROSTATIC PRESSURE	3x6	CLOSE SHEETING	8x10	4	4x6	6x6	6x8	8x8	8x10	4	6
15 TO 20	(E) ALL KINDS OR CONDITIONS	3x6	CLOSE SHEETING	4x12	4	4x12	6x8	8x8	8x10	10x10	4	6
OVER 20	(E) ALL KINDS OR CONDITIONS	3x6	CLOSE SHEETING	6x8	4	4x12	8x8	8x10	10x10	10x12	4	6

¹ TRENCH JACKS MAY BE USED IN LIEU OF, OR IN COMBINATION WITH, CROSS BRACES. SHORING IS NOT REQUIRED IN SOLID ROCK, HARD SHALE, OR HARD SLAG. WHERE DESIRABLE, STEEL SHEET PILING AND BRACING OF EQUAL STRENGTH MAY BE SUBSTITUTED FOR WOOD.
() DESIGNATION FOR PROPOSAL (BID) PURPOSES
(**) FROM OSHA SAFETY AND HEALTH REGULATIONS PART 1926, SUBPART P
2. SIZE OF TIMBER MEMBERS ARE ROUGH CUT DIMENSIONS (FULL SIZE)

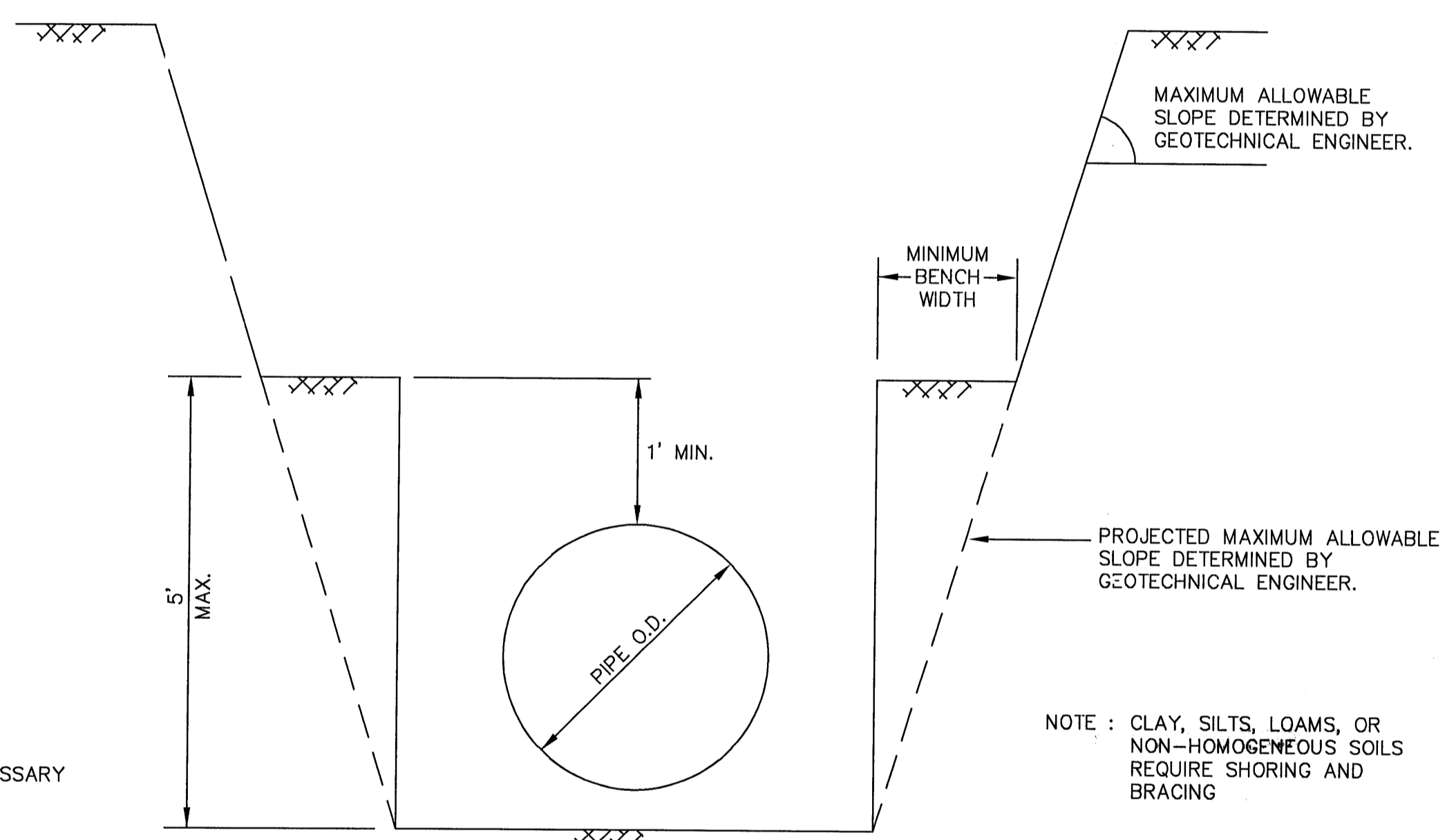
- TRENCH SAFETY SYSTEM TO MEET, AS A MINIMUM, THE REQUIREMENTS OF OSHA SAFETY AND HEALTH REGULATIONS PART 1926, SUBPART P.
- THE CONTRACTOR MAY ELECT TO USE AN ALTERNATE SYSTEM TO THE TIMBER TRENCH SHORING SHOWN IN THE TABLE. THE ALTERNATE SYSTEM, BE IT A TRENCH BOX, STEEL SHEET PILING, TRENCH JACKS OR A COMBINATION OF THE ABOVE, MUST BE CERTIFIED BY THE CONTRACTOR'S REGISTERED PROFESSIONAL ENGINEER THAT IT PROVIDES EQUAL OR GREATER PROTECTION THAN THE TIMBER TRENCH SHORING SHOWN ON THIS DETAIL SHEET.
- CONTRACTOR SHALL PERFORM DAILY TRENCH SAFETY SYSTEM INSPECTIONS TO INSURE THAT THE SYSTEM MEETS OSHA REQUIREMENTS AND IS APPROPRIATE FOR SPECIFIC SITE CONDITIONS OF THE OPEN TRENCH. INSPECTIONS ARE REQUIRED AFTER RAINSTORMS OR ANY CHANGE IN CONDITIONS THAT MAY INCREASE THE POSSIBILITY OF A CAVE-IN OR SLIDE.
- IN THE EVENT THAT TRENCH UPRIGHTS CAN NOT BE PLACED BELOW TRENCH BOTTOM AS SHOWN ON DETAIL, CONTRACTOR MUST PROVIDE ENGINEER WITH PLANS THAT DEMONSTRATE THAT THE UPRIGHTS WILL BE BRACED AND MAINTAINED IN A VERTICAL POSITION.
- WHERE THE TRENCH SAFETY SYSTEM CROSSES A UTILITY, THE UTILITY LINE MUST BE ADEQUATELY SUPPORTED TO PREVENT ANY DAMAGE. IN ADDITION, IN TRENCHES WITH CLOSED SHEETING, THE UPRIGHTS MUST SURROUND THE UTILITY. OPEN TRENCH SHEETING SPACING MUST BE ADJUSTED AS TO NOT EXCEED THE MAXIMUM ALLOWED SPACING. (NO SEPARATE PAY)
- TRENCH SHALL BE DRAINED AS REQUIRED SO WORK MAY BE ACCOMPLISHED SAFELY AND EFFICIENTLY. IF NECESSARY, INSTALL DEWATERING SYSTEM TO PROVIDE A DRY TRENCH BOTTOM. DELIVER DISCHARGE FROM SYSTEM TO NATURAL DRAINAGE CHANNEL OR TO STORM DRAINS.
- IN TRENCHES FOUR FOOT DEEP OR MORE, CONTRACTOR TO PROVIDE ADEQUATE MEANS OF TRENCH EXIT SUCH AS LADDER OR STEPS AND THEY MUST BE LOCATED SO AS TO REQUIRE NO MORE THAN 25 FEET OF LATERAL TRAVEL.
- MEASURE "PERMANENT TIMBER TRENCH SHORING" BY LINEAR FOOT OF TRENCH PROTECTED. PAYMENT IS BY STATED DEPTH OF TRENCH AND EARTH CONDITIONS NOTED IN THE PROPOSAL (BID).
- MEASURE "TRENCH SAFETY SYSTEM" BY LINEAR FOOT OF TRENCH PROTECTED. PAYMENT IS BY STATED DEPTH OF TRENCH AND EARTH CONDITIONS NOTED IN THE PROPOSAL (BID).
- STRINGERS AND BRACES TO BE SECURELY FASTENED.
- ANY PART OF "TRENCH SAFETY SYSTEM" LEFT IN PLACE TO BE REMOVED A MINIMUM OF 18 INCHES BELOW FINISHED GRADE OR NATURAL GROUND, WHICHEVER IS LOWER.
- TRENCH SHORING SYSTEM HAS BEEN DESIGNED WITH NO ALLOWANCE FOR LIVE LOAD SURCHARGE. IF LIVE LOAD SURCHARGE IS ANTICIPATED IT SHALL NOT BE PLACED WITHIN 2 FEET OF EDGE OF TRENCH AND CONTRACTOR'S REGISTERED PROFESSIONAL ENGINEER SHALL DESIGN TRENCH SHORING SYSTEM TO ACCOMMODATE THE ANTICIPATED LIVE LOAD SURCHARGE.
- TIMBER SIZES ARE BASED ON STRESSES OF 1650 PSI FOR EXTREME FIBER IN BENDING AND 1450 PSI FOR COMPRESSION PARALLEL WITH GRAIN.
- EARTH TRENCH CONDITIONS FOR THIS PROJECT ARE ANTICIPATED TO BE AS SHOWN IN THE GEOTECHNICAL REPORT.



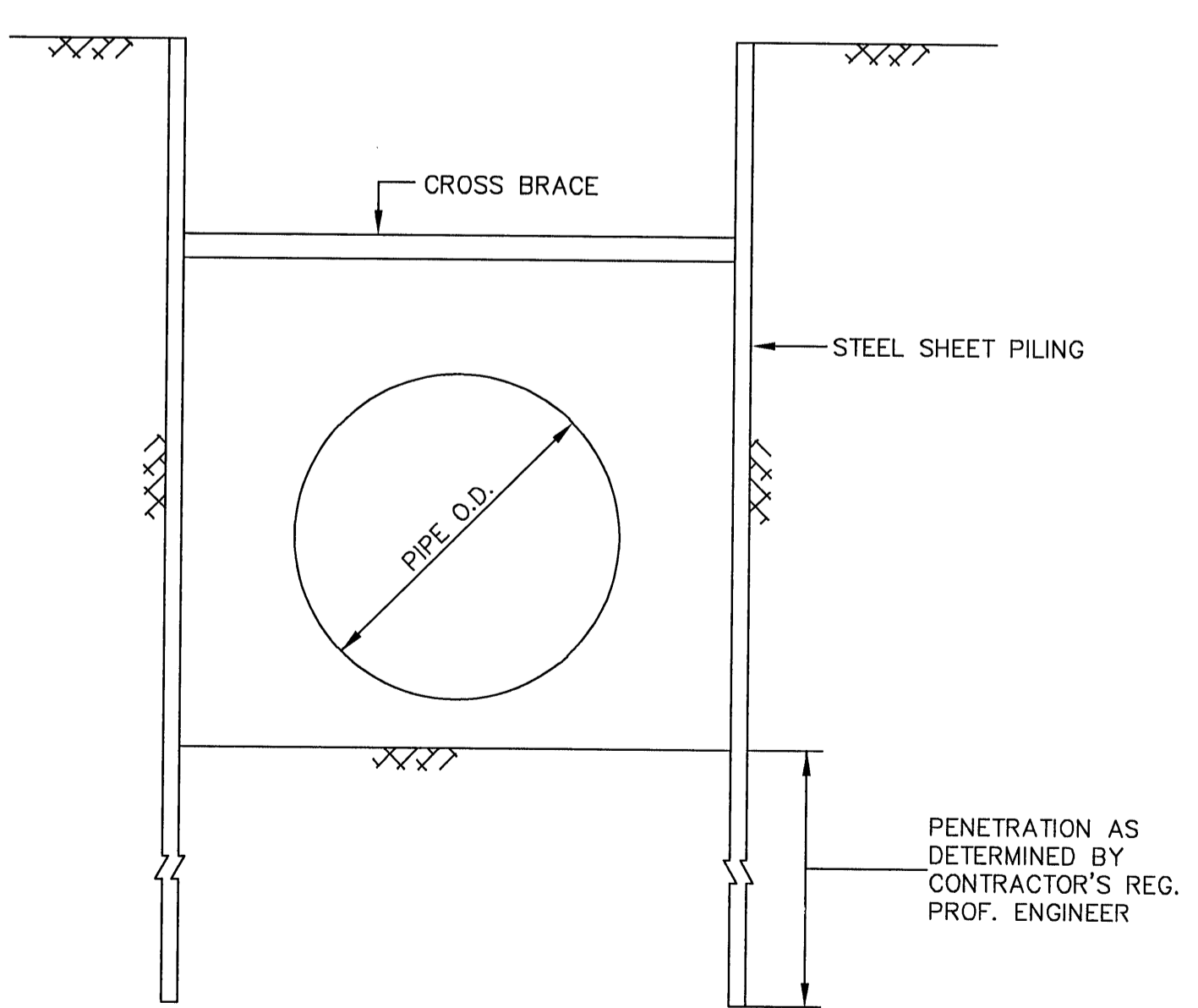
TIMBER TRENCH SHORING



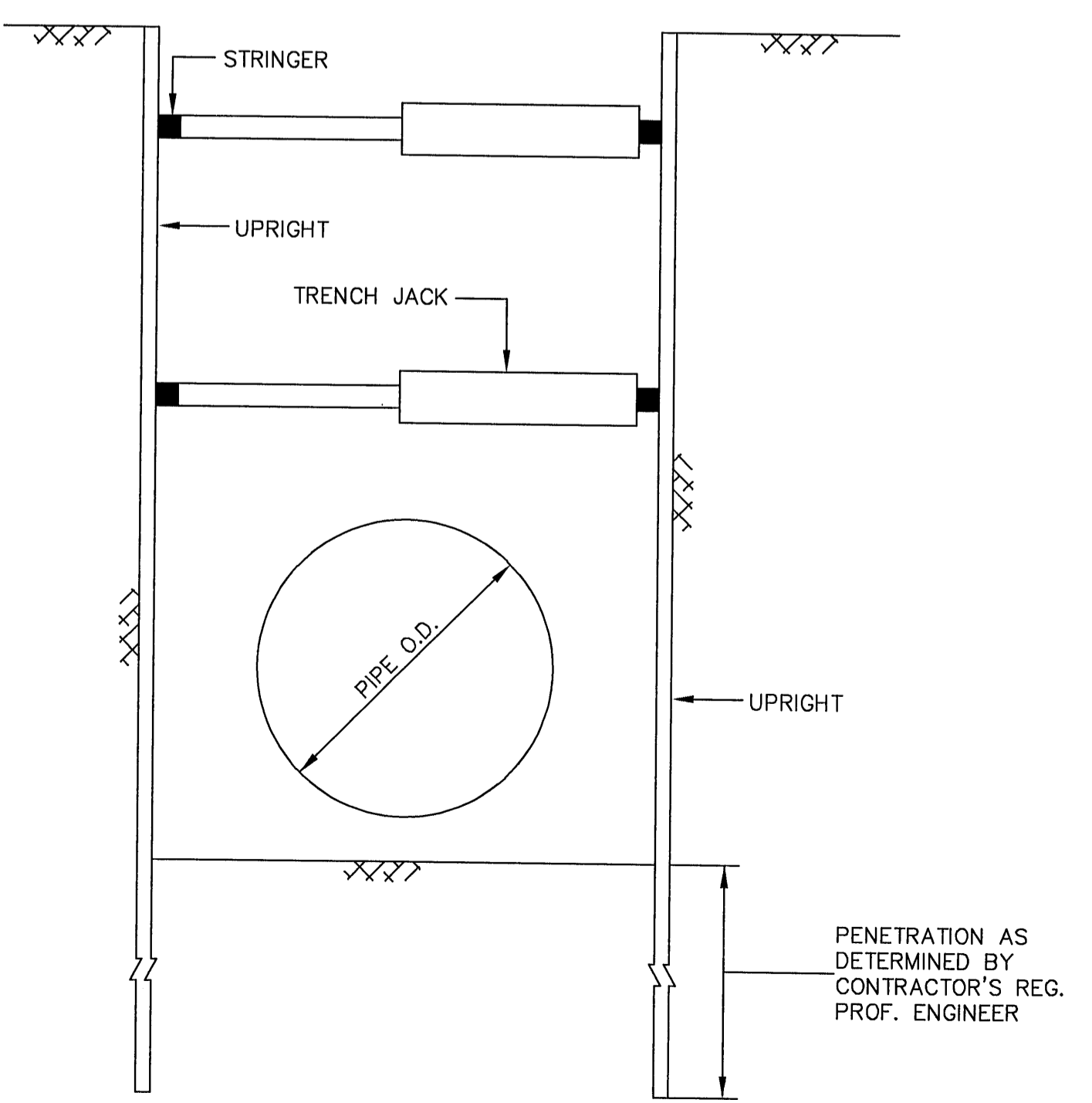
PERMANENT TIMBER TRENCH SHORING



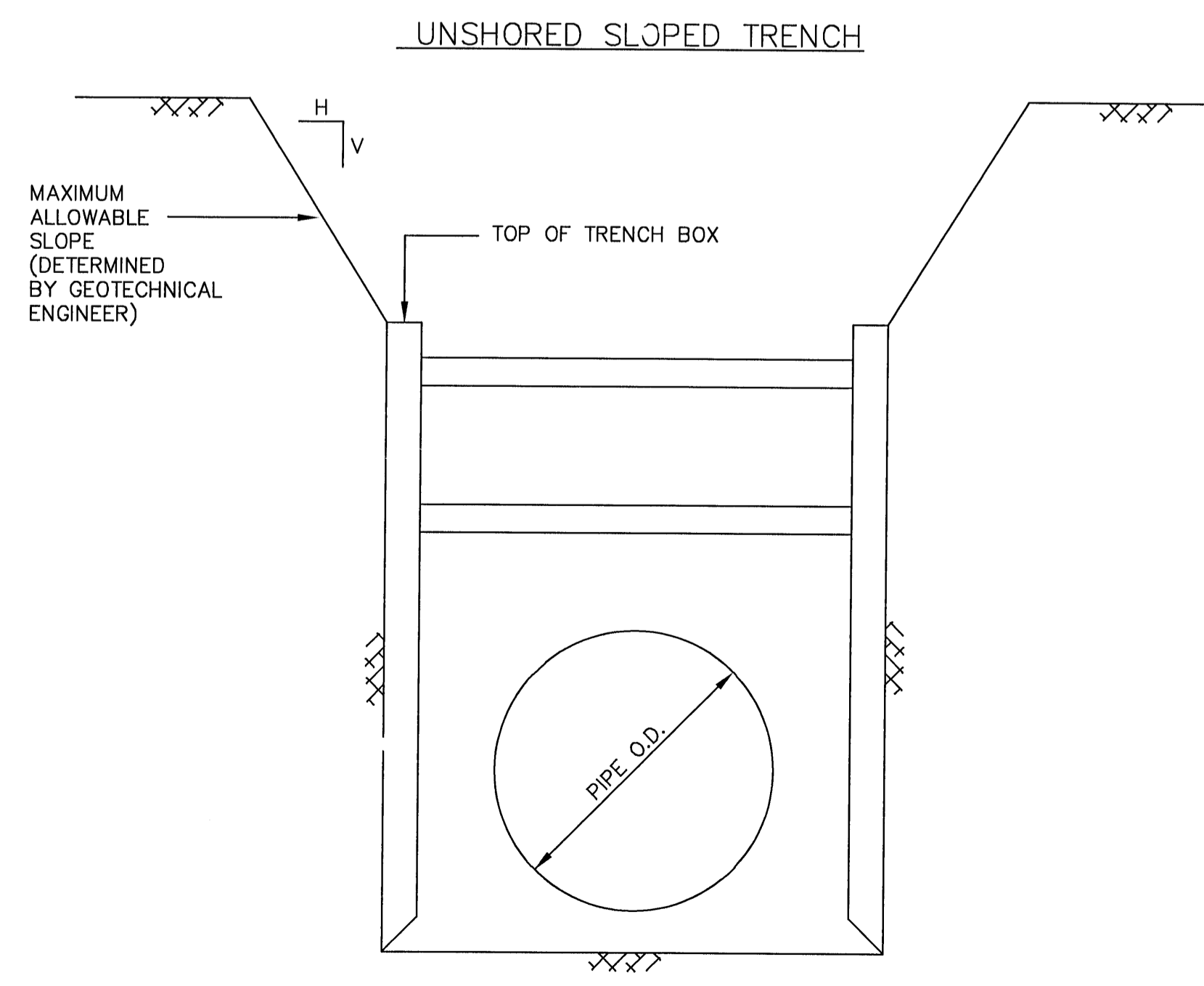
NOTE: CLAY, SILTS, LOAMS, OR NON-HOMOGENEOUS SOILS REQUIRE SHORING AND BRACING



STEEL PILING *



TRENCH JACK AND STRINGER *



TRENCH BOX *

Billy Kleblson
03.02.00

SUBMITTED: _____	DESIGNED BY: B K WILSON
SCALE: N/A	DRAWN BY: BILL DORRIS
DATE: MARCH 2000	SHEET NO. 14 OF 14 SHEETS
SURVEY BY: _____	CITY DWG. NO: TRENCH.DWG
F B NO: 462U	

TRENCH SAFETY